

2

1

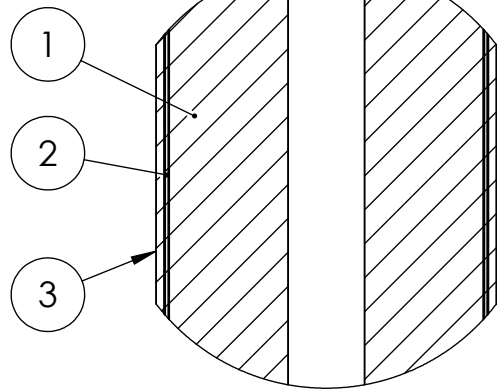
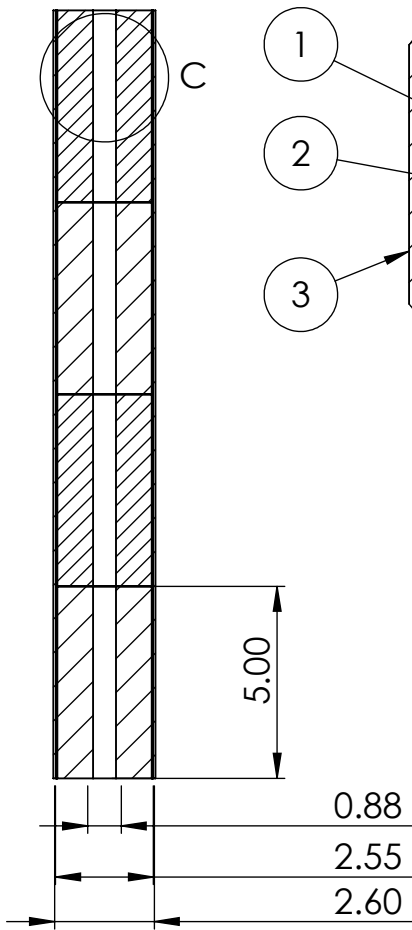
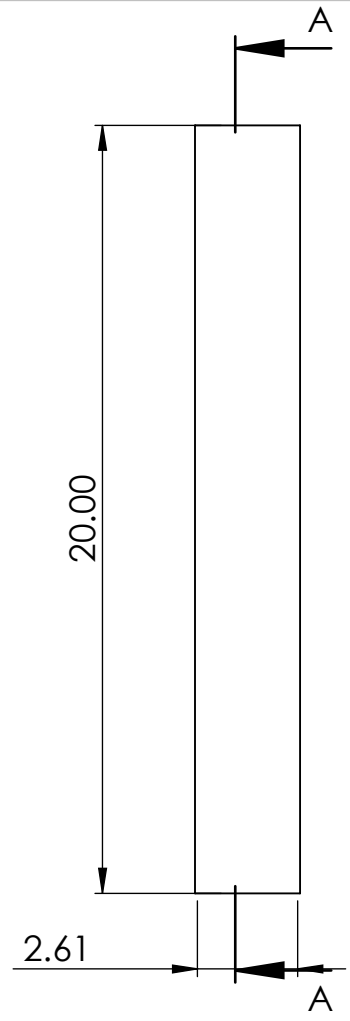
B

B

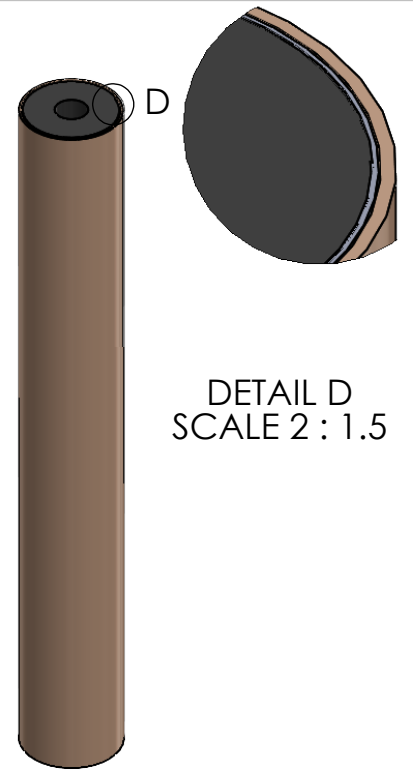
A

A

SECTION A-A  
SCALE 1 : 5



DETAIL C  
SCALE 1 : 1.5



DETAIL D  
SCALE 2 : 1.5

ITEM NO.	PART NUMBER	QTY.
1	75mm Grain	4
2	75mm Casting Tube	4
3	75mm 4Grain Liner	1

		UNLESS OTHERWISE SPECIFIED:		NAME	DATE
		DIMENSIONS ARE IN INCHES	DRAWN	GAM	11/4/23
		TOLERANCES: 0.001 in	CHECKED		
		FRACTIONAL<MOD-PM>	ENG APPR.		
		ANGULAR: MACH<MOD-PM>	MFG APPR.		
		TWO PLACE DECIMAL<MOD-PM>	Q.A.		
		THREE PLACE DECIMA<MOD-PM>	COMMENTS:		
		INTERPRET GEOMETRIC			
		TOLERANCING PER:			
		MATERIAL			
		FINISH			
NEXT ASSY	USED ON				
APPLICATION		DO NOT SCALE DRAWING			

TITLE:  
**75mm Motor**

SIZE DWG. NO. REV  
**A** Motor

SCALE: 1:10 WEIGHT: SHEET 1 OF 1

2

1