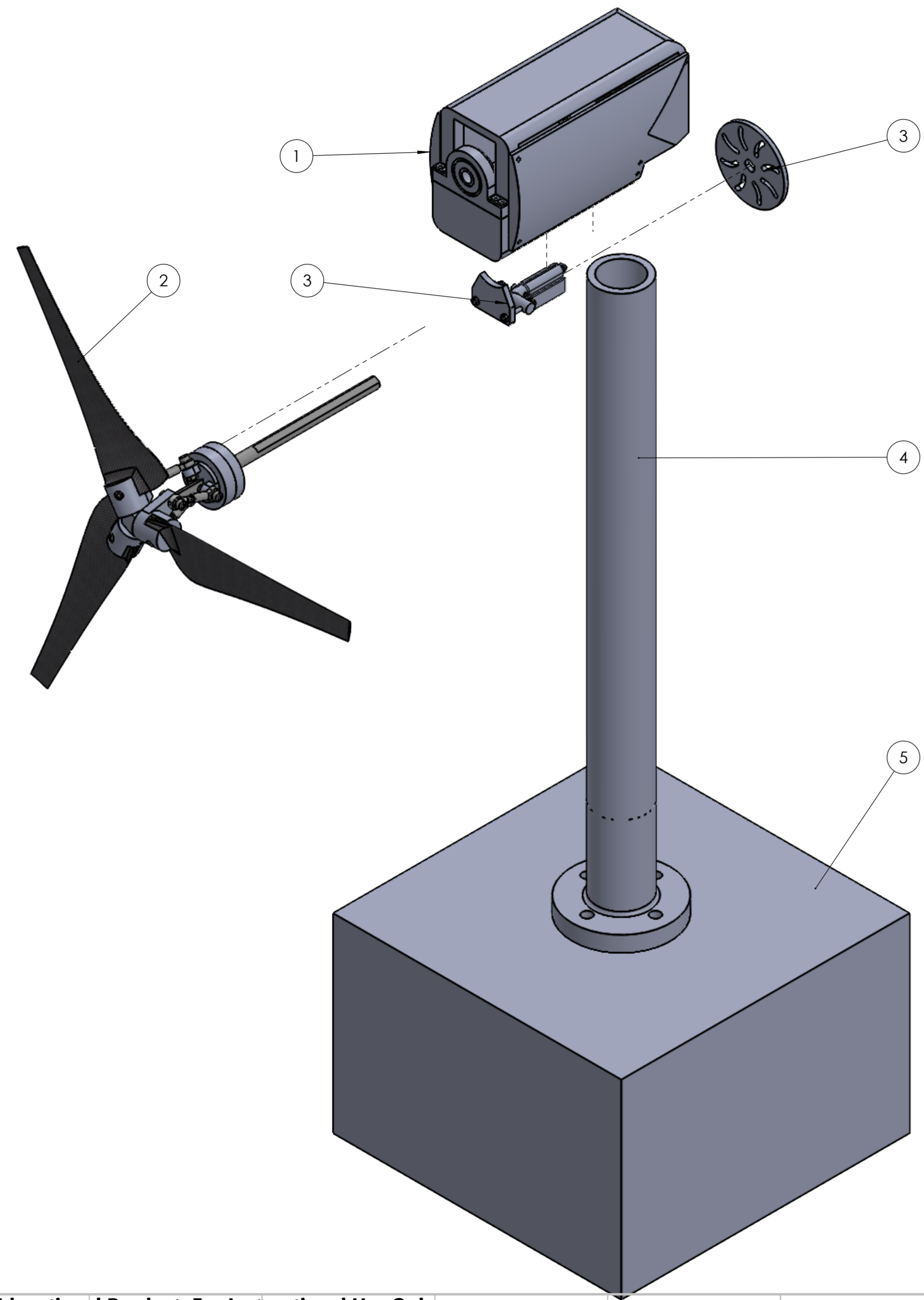


12 11 10 9 8 7 6 5 4 3 2 1

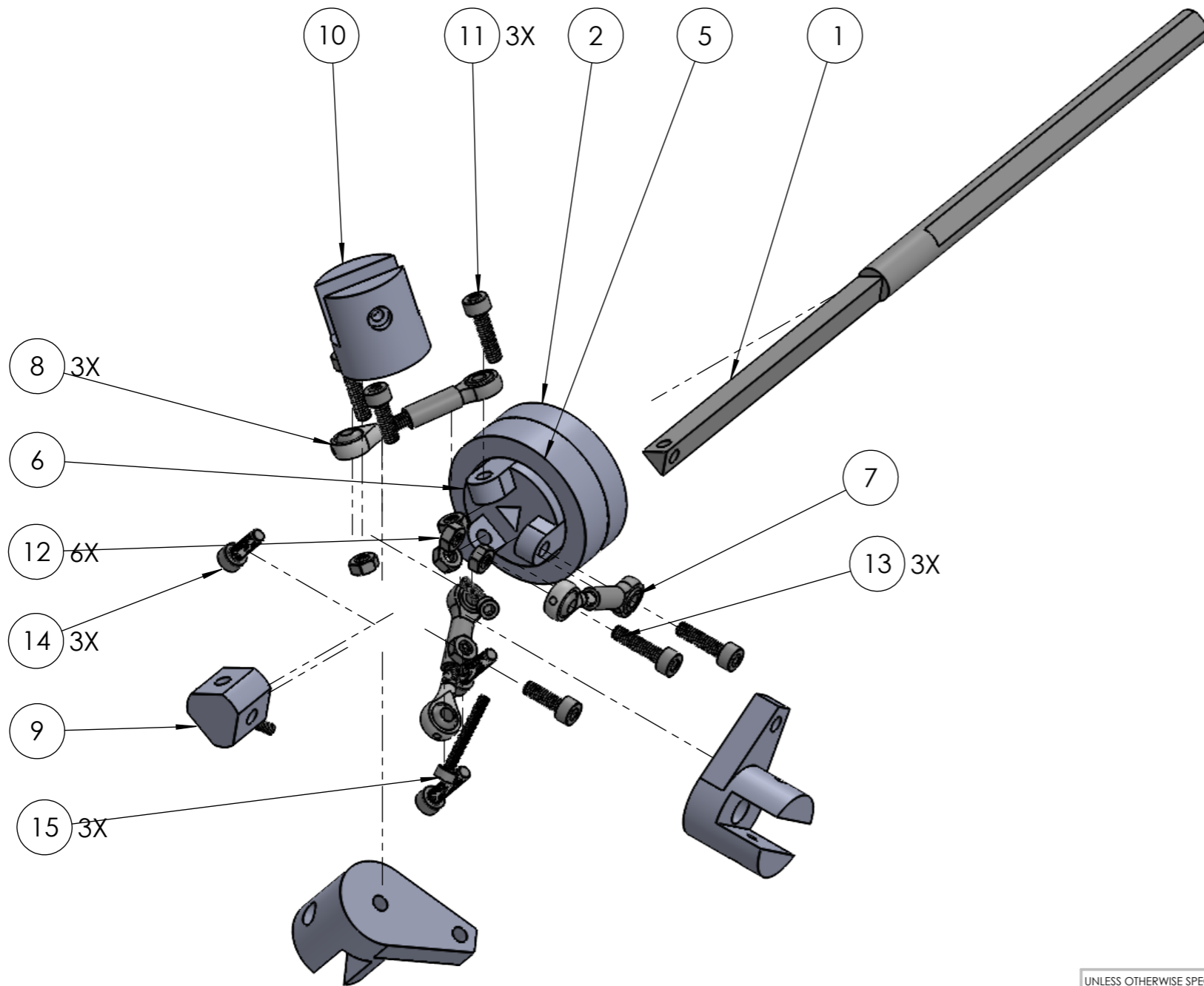
ITEM NO.	PART NUMBER	QTY.
1	mainframe	1
2	pitching and blades	1
3	braking	1
4	tower	1
5	anchor	1



UNLESS OTHERWISE SPECIFIED: DIMENSIONS ARE IN MILLIMETERS				FINISH:		DEBURR AND BREAK SHARP EDGES		DO NOT SCALE DRAWING		REVISION 2	
SURFACE FINISH:								TITLE: <b>top level</b>			
TOLERANCES:											
LINEAR:											
ANGULAR:											
DRAWN	NAME	SIGNATURE	DATE					DWG NO.		1 A2	
CHK'D											
APPV'D											
MFG											
Q.A								MATERIAL:		Mixed	
								WEIGHT:		SCALE:1:8	
										SHEET 1 OF 6	

8 7 6 5 4 3 2 1

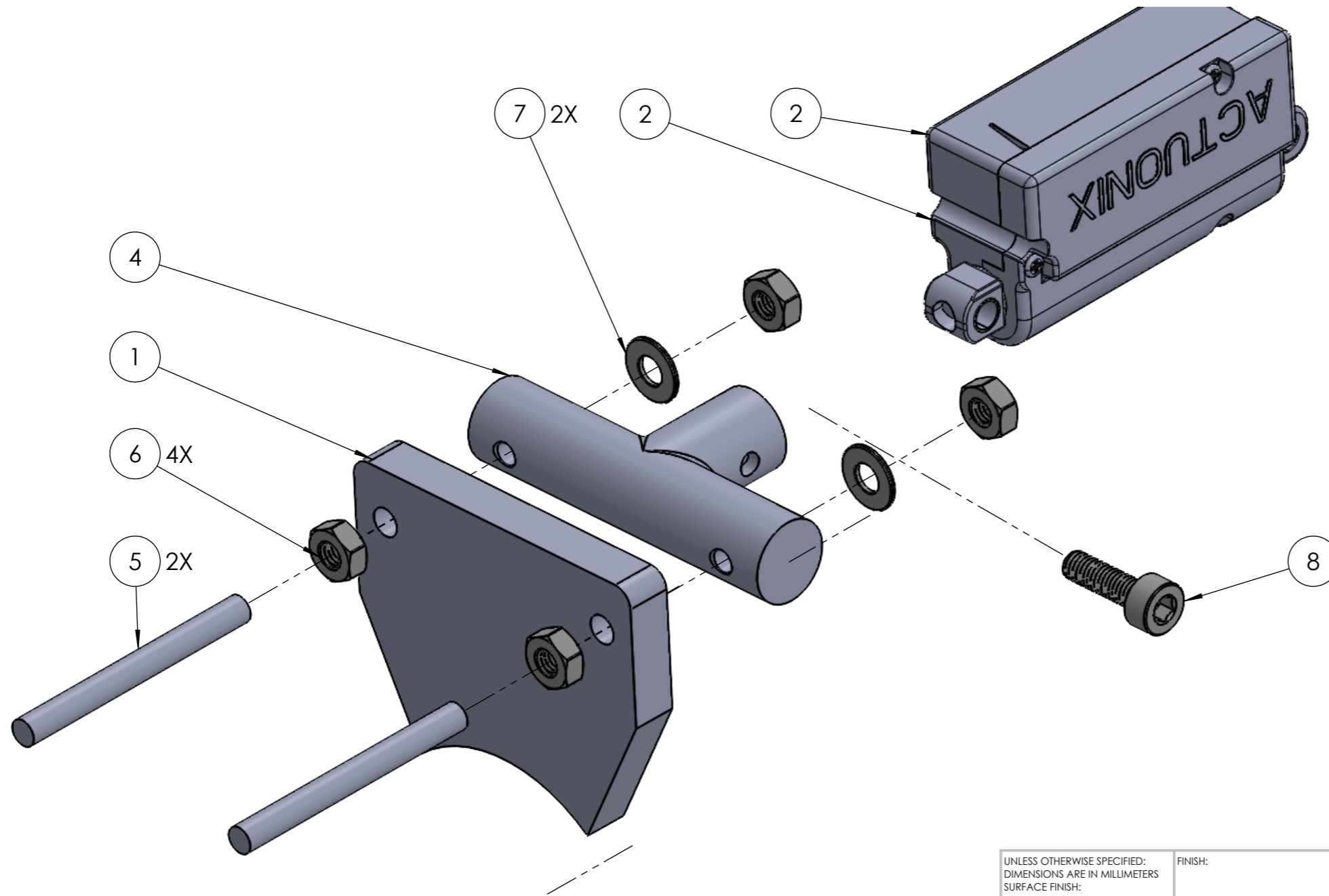
ITEM NO.	PART NUMBER	QTY.
1	1482K11	1
2	back_washer	1
3	inner_washer	1
4	6656K111	1
5	front_washer	1
6	gimble	1
7	59935K14	3
8	59935K12	3
9	rotor_core	1
10	blade_hub	3
11	91290A306	3
12	90592A090	6
13	91290A154	3
14	91290A148	3
15	91290A124	3



UNLESS OTHERWISE SPECIFIED: DIMENSIONS ARE IN MILLIMETERS SURFACE FINISH: TOLERANCES: LINEAR: ANGULAR:			FINISH:		DEBURR AND BREAK SHARP EDGES		DO NOT SCALE DRAWING		REVISION 3		
DRAWN			NAME		SIGNATURE		DATE		TITLE: <b>Pitching</b>		
CHK'D			hyg6				12/23				
APPV'D											
MFG											
Q.A									MATERIAL: PLA Plastic and Steel		DWG NO. 2
									SCALE:1:8		A3
									WEIGHT:		SHEET 2 OF 6

8 7 6 5 4 3 2 1

ITEM NO.	PART NUMBER	QTY.
1	backplate	1
2	PQ-12-20_10300.stp	1
3	LIFT_10300_NS.stp	1
4	actuator_bracket	1
5	M3 rod	2
6	90592A085	4
7	98687A133	2
8	91290A115	1



UNLESS OTHERWISE SPECIFIED: DIMENSIONS ARE IN MILLIMETERS SURFACE FINISH: TOLERANCES: LINEAR: ANGULAR:			FINISH:		DEBURR AND BREAK SHARP EDGES		DO NOT SCALE DRAWING		REVISION 2		
DRAWN			NAME		SIGNATURE		DATE		TITLE: <b>Braking</b>		
CHK'D							12/23				
APPV'D											
MFG											
Q.A									MATERIAL: Mixed		DWG NO. 3
									SCALE:1:2		A3
									WEIGHT:		SHEET 3 OF 6



10 BLADE ELEMENTS; 20MM LENGTH

AIRFOIL: CR001SM

MAX TWIST: 36.2

MAX CHORD: 52.8MM

UNLESS OTHERWISE SPECIFIED: DIMENSIONS ARE IN MILLIMETERS SURFACE FINISH: TOLERANCES: LINEAR: ANGULAR:			FINISH:		DEBURR AND BREAK SHARP EDGES		DO NOT SCALE DRAWING		REVISION 2					
							TITLE: <b>Blade</b>							
DRAWN		NAME		SIGNATURE		DATE								
CHK'D														
APPV'D														
MFG														
Q.A								MATERIAL: Carbon Material		DWG NO. 4				
								WEIGHT:		SCALE:1:2				
										SHEET 4 OF 6				

8 7 6 5 4 3 2 1

F

F

E

E

D

D

C

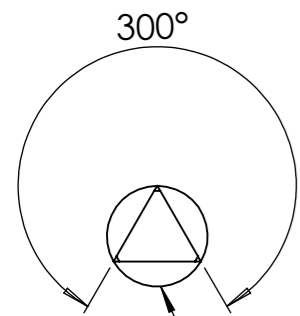
C

B

B

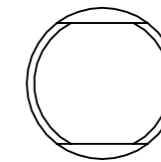
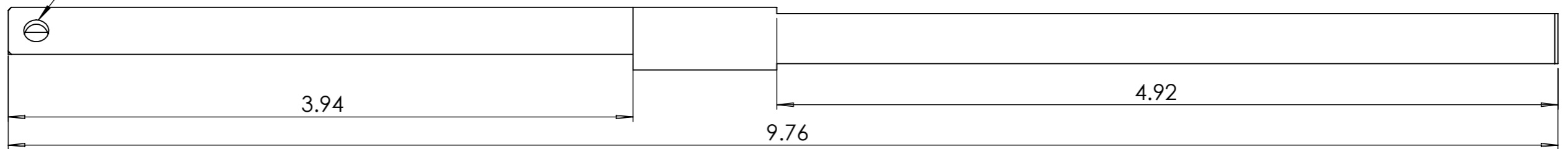
A

A



2.5MM NOTCH

3X M3 THROUGH HOLE



1MM SYMMETRIC NOTCH

UNLESS OTHERWISE SPECIFIED: DIMENSIONS ARE IN MILLIMETERS SURFACE FINISH: TOLERANCES: LINEAR: ANGULAR:				FINISH:		DEBURR AND BREAK SHARP EDGES		DO NOT SCALE DRAWING		REVISION 2					
								TITLE: <h1>Shaft</h1>							
DRAWN		NAME		SIGNATURE		DATE						DWG NO.		A3	
CHK'D												5			
APPV'D															
MFG															
Q.A								MATERIAL:		SCALE:1:2					
								WEIGHT:		SHEET 5 OF 6					

8 7 6 5 4 3 2 1

F

F

E

E

D

D

C

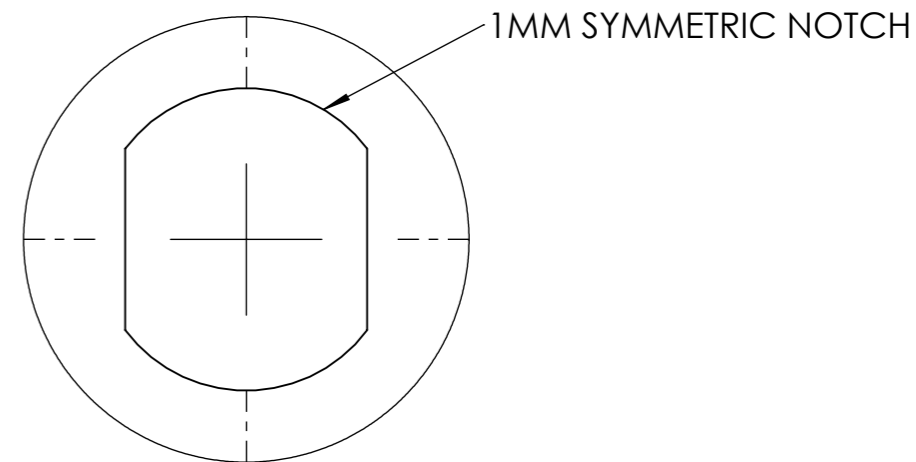
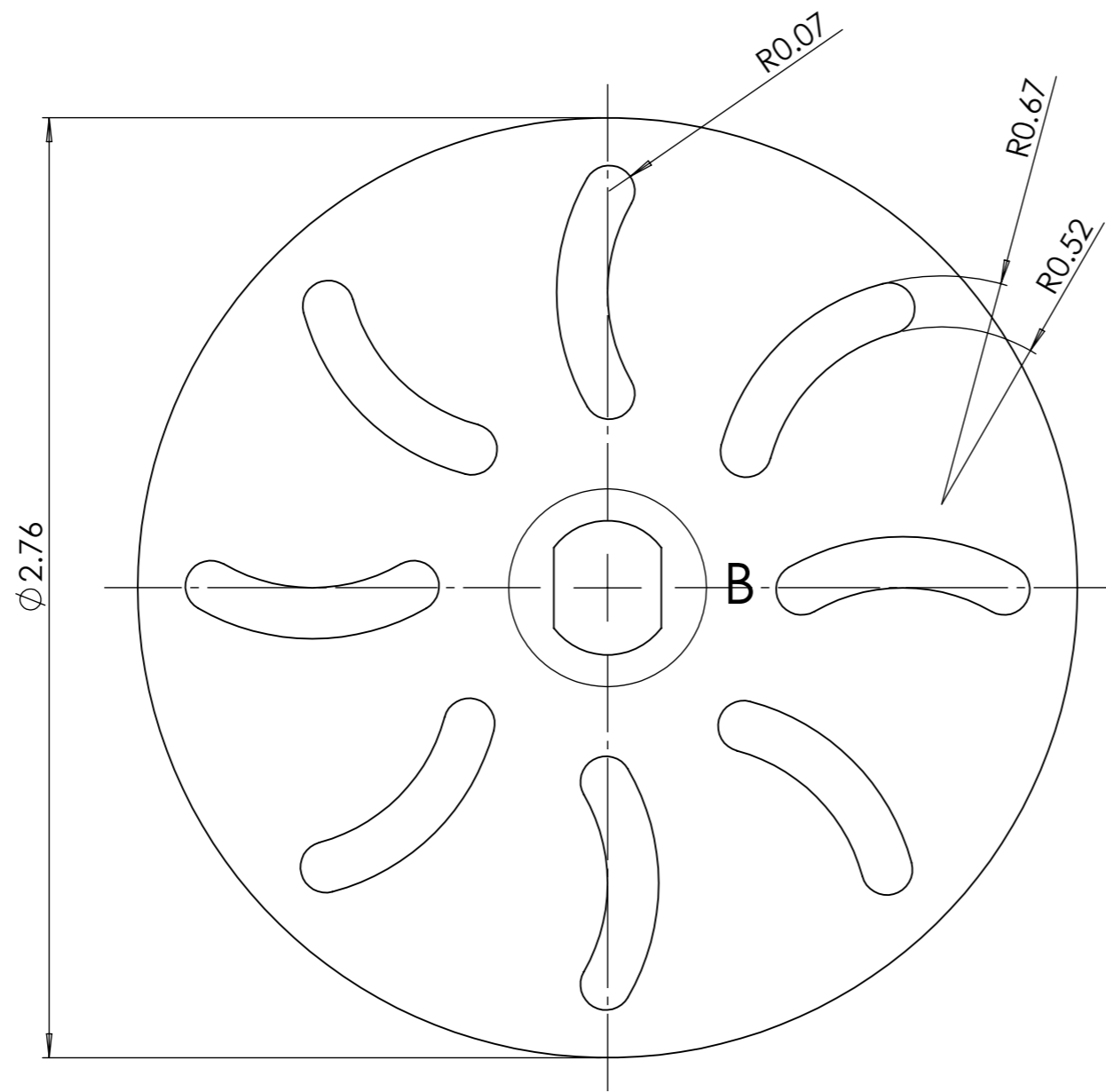
C

B

B

A

A



**DETAIL B**  
SCALE 4 : 1

UNLESS OTHERWISE SPECIFIED: DIMENSIONS ARE IN MILLIMETERS SURFACE FINISH: TOLERANCES: LINEAR: ANGULAR:				FINISH:		DEBURR AND BREAK SHARP EDGES		DO NOT SCALE DRAWING		REVISION 2	
DRAWN	NAME	SIGNATURE	DATE			TITLE: <b>Brake Disc</b>					
CHK'D	hyg6		12/23								
APPV'D											
MFG											
Q.A					MATERIAL:	Aluminum		DWG NO.		6	
					WEIGHT:			SCALE:2:1		SHEET 6 OF 6	