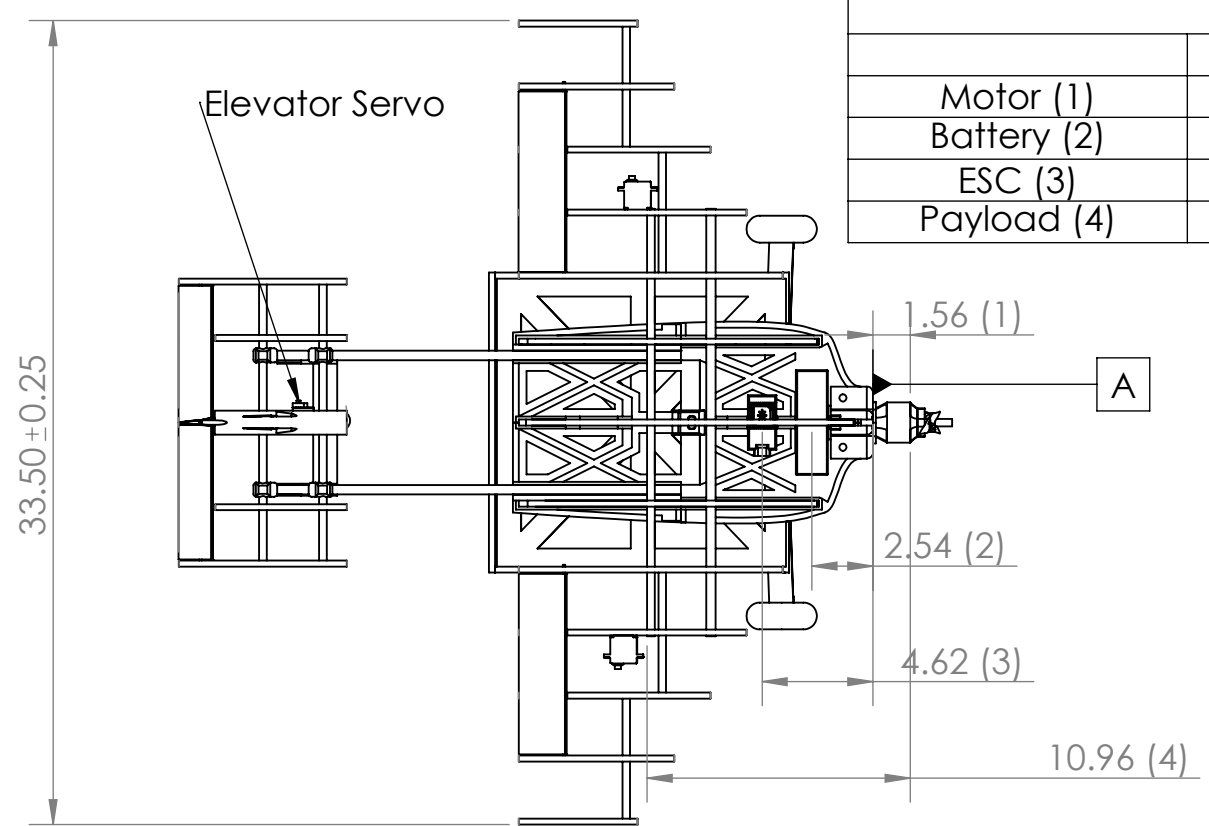


4

3

2

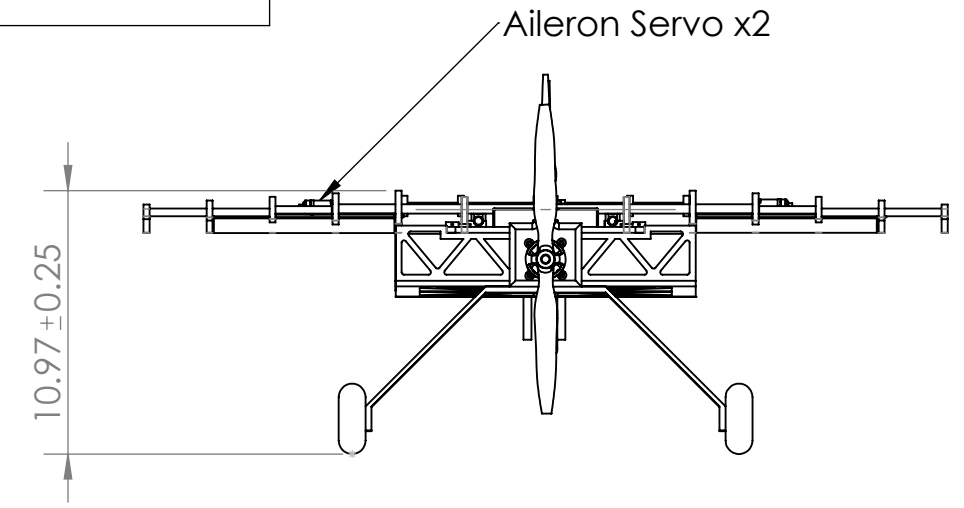
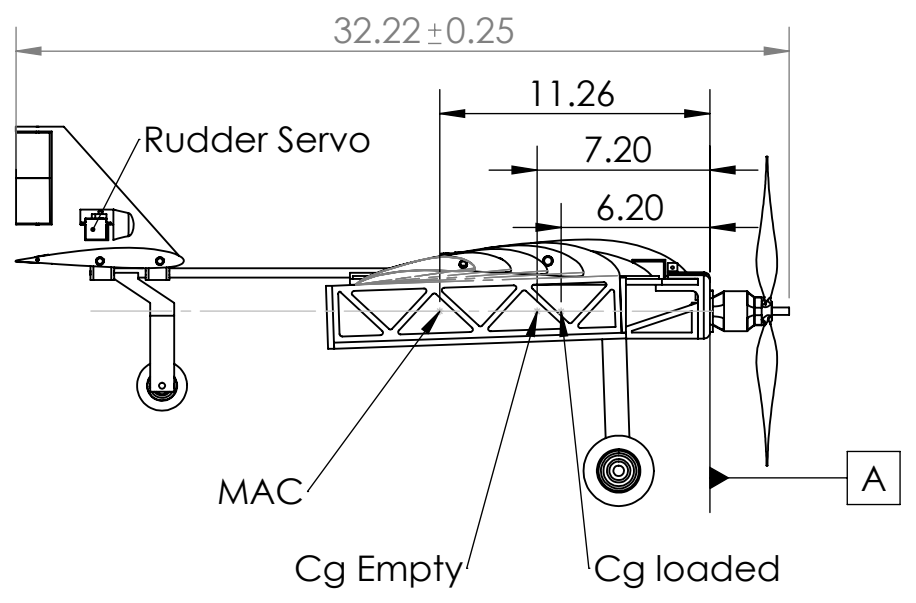
1



Components Balance table			
	Force	Distance	Moment
Motor (1)	2.2 N	1.56 (in)	0.087 N-m
Battery (2)	1.67 N	2.54 (in)	0.108 N-m
ESC (3)	0.53 N	4.62 (in)	0.062 N-m
Payload (4)	9.81 N	10.96 (in)	2.73 N-m

Wingspan	33.5 in
Wing Area	313.5 in
Aspect Ratio	3.526
Empty Weight	2.54 lbs
Battery Specifications	3S, 2200 mAh, 30c
Motor Make and Model	Spektrum Avian 4250 Outrunner Brushless Motor
Motor kv	800 kv
Propeller Specifications	Master Airscrew, 16 in dia., 8 in pitch
Aileron Servo Motors	Spektrum A4040, 97.2 oz-in
Rudder and Elevator Servo Motors	Tower Pro SG92R, 34.7 oz-in

Stability	
Static Margin (loaded)	13.1%
Static Margin (empty)	4.2%
Cg location (empty)	7.2 in
Mean Aerodynamic Chord	11.26 in



		UNLESS OTHERWISE SPECIFIED:		NAME	DATE
		DIMENSIONS ARE IN INCHES		DRAWN	AJZ 3/6/23
		TOLERANCES:		CHECKED	IMP 3/6/23
		FRACTIONAL ±		ENG APPR.	
		ANGULAR: MACH ± BEND ±		MFG APPR.	
		TWO PLACE DECIMAL ±		Q.A.	
		THREE PLACE DECIMAL ±		COMMENTS:	
		INTERPRET GEOMETRIC TOLERANCING PER:			
		MATERIAL			
		FINISH			
NEXT ASSY	USED ON				
APPLICATION		DO NOT SCALE DRAWING			

PROPRIETARY AND CONFIDENTIAL
 THE INFORMATION CONTAINED IN THIS DRAWING IS THE SOLE PROPERTY OF <INSERT COMPANY NAME HERE>. ANY REPRODUCTION IN PART OR AS A WHOLE WITHOUT THE WRITTEN PERMISSION OF <INSERT COMPANY NAME HERE> IS PROHIBITED.

TITLE: NAU Micro Class Team 324 Northern Arizona University		
SIZE	DWG. NO.	REV
B	1	
SCALE: 1:10 WEIGHT:		SHEET 1 OF 1

4

3

2

1