

A

A

**PROPRIETARY AND CONFIDENTIAL**  
 THE INFORMATION CONTAINED IN THIS DRAWING IS THE SOLE PROPERTY OF <INSERT COMPANY NAME HERE>. ANY REPRODUCTION IN PART OR AS A WHOLE WITHOUT THE WRITTEN PERMISSION OF <INSERT COMPANY NAME HERE> IS PROHIBITED.

		UNLESS OTHERWISE SPECIFIED:		NAME	DATE
		DIMENSIONS ARE IN INCHES	DRAWN	IA	4/15/21
		TOLERANCES: ANSI US STANDARD	CHECKED		
		FRACTIONAL ±	ENG APPR.		
		ANGULAR: MACH ± BEND ±	MFG APPR.		
		TWO PLACE DECIMAL ±	Q.A.		
		THREE PLACE DECIMAL ±	COMMENTS:		
		INTERPRET GEOMETRIC TOLERANCING PER:			
		MATERIAL			
		POLYLACTIC ACID			
		FINISH			
		N/A			
NEXT ASSY	USED ON				
	APPLICATION	DO NOT SCALE DRAWING			

TITLE:  
**SMALL-SCALE PSYCHE ROVER MODEL LEFT BODY SEGMENT**

SIZE	DWG. NO.	REV
<b>A</b>	<b>1</b>	<b>1</b>
SCALE: 1:4	WEIGHT:	SHEET 1 OF 1

2

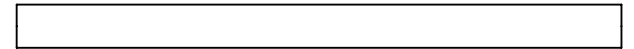
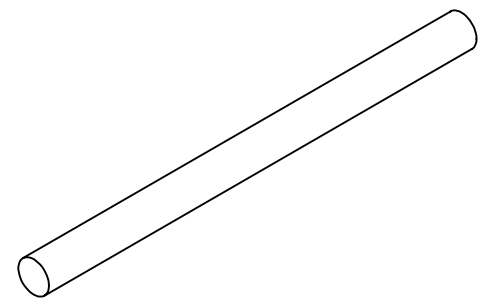
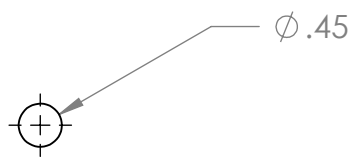
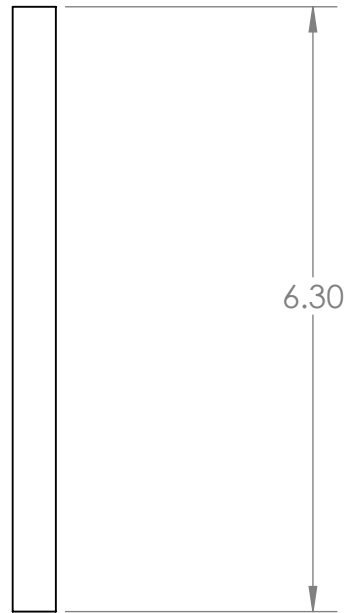
1

2

1

B

B



A

A

**PROPRIETARY AND CONFIDENTIAL**  
 THE INFORMATION CONTAINED IN THIS DRAWING IS THE SOLE PROPERTY OF <INSERT COMPANY NAME HERE>. ANY REPRODUCTION IN PART OR AS A WHOLE WITHOUT THE WRITTEN PERMISSION OF <INSERT COMPANY NAME HERE> IS PROHIBITED.

		UNLESS OTHERWISE SPECIFIED:		NAME	DATE
		DIMENSIONS ARE IN INCHES TOLERANCES: ANSI STANDARD FRACTIONAL $\pm$ ANGULAR: MACH $\pm$ BEND $\pm$ TWO PLACE DECIMAL $\pm$ THREE PLACE DECIMAL $\pm$	DRAWN	IA	4/22/21
		INTERPRET GEOMETRIC TOLERANCING PER:	CHECKED		
		MATERIAL POLYLACTIC ACID	ENG APPR.		
		FINISH N/A	MFG APPR.		
NEXT ASSY	USED ON		Q.A.		
APPLICATION		DO NOT SCALE DRAWING	COMMENTS:		

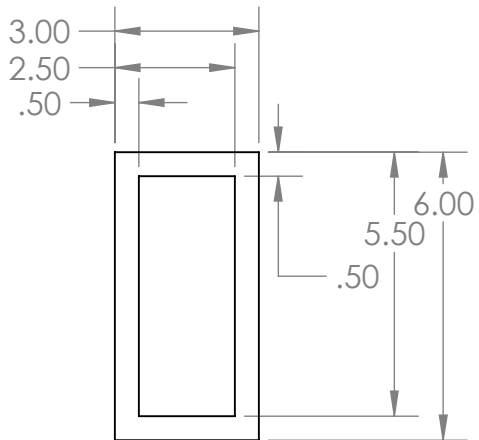
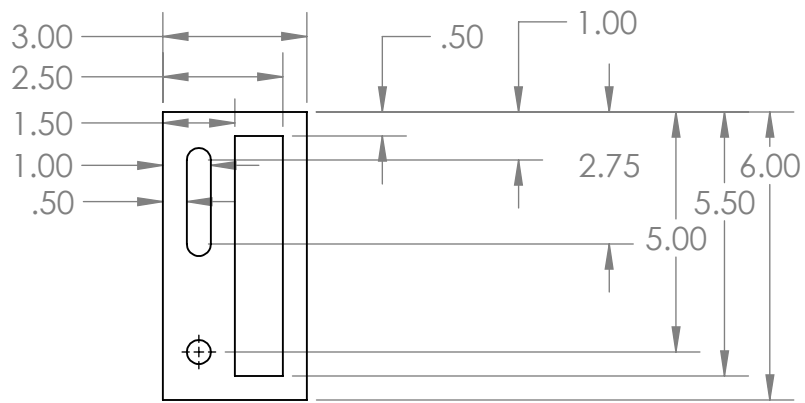
TITLE:  
**SHAFTS FOR SCISSOR  
 LIFT**

SIZE <b>A</b>	DWG. NO. <b>2</b>	REV <b>1</b>
SCALE: 1:2		WEIGHT:
SHEET 1 OF 1		

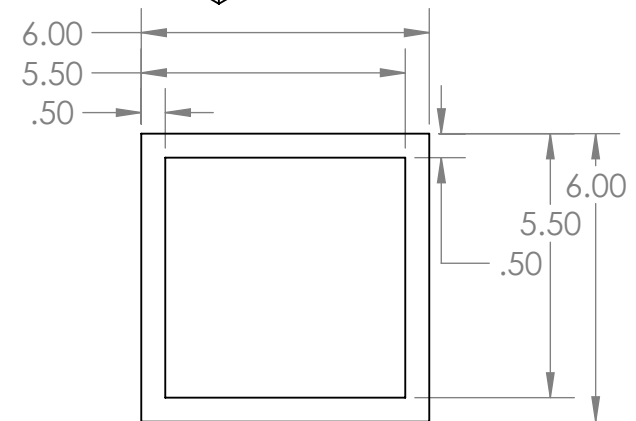
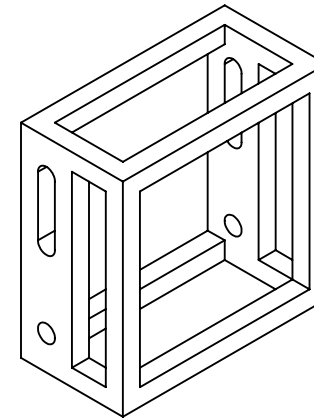
2

1

B



1



B

A

A

**PROPRIETARY AND CONFIDENTIAL**  
 THE INFORMATION CONTAINED IN THIS DRAWING IS THE SOLE PROPERTY OF <INSERT COMPANY NAME HERE>. ANY REPRODUCTION IN PART OR AS A WHOLE WITHOUT THE WRITTEN PERMISSION OF <INSERT COMPANY NAME HERE> IS PROHIBITED.

		UNLESS OTHERWISE SPECIFIED:		NAME	DATE
		DIMENSIONS ARE IN INCHES TOLERANCES: ANSI STANDARD FRACTIONAL ± ANGULAR: MACH ± BEND ± TWO PLACE DECIMAL ± THREE PLACE DECIMAL ±	DRAWN	IA	4/15/21
		INTERPRET GEOMETRIC TOLERANCING PER:	CHECKED		
		MATERIAL POLYLACTIC ACID	ENG APPR.		
		FINISH N/A	MFG APPR.		
NEXT ASSY	USED ON		Q.A.		
			COMMENTS:		
APPLICATION		DO NOT SCALE DRAWING			

TITLE:  
**SMALL-SCALE PSYCHE ROBOTIC  
 EXPLORER MIDDLE LEFT BODY  
 SEGMENT**

SIZE <b>A</b>	DWG. NO. <b>3</b>	REV <b>1</b>
SCALE: 1:4		WEIGHT:
SHEET 1 OF 1		

2

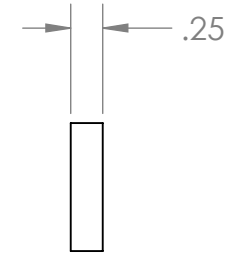
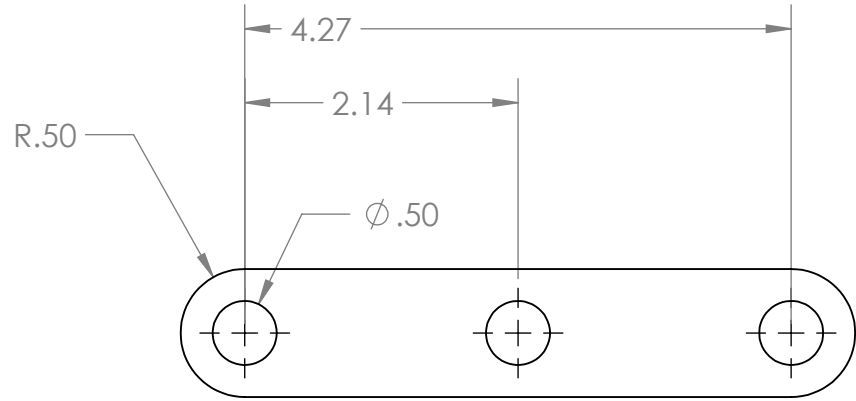
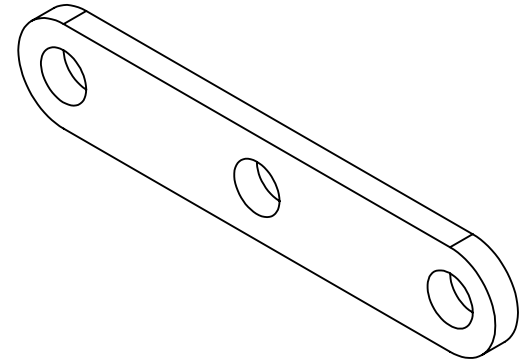
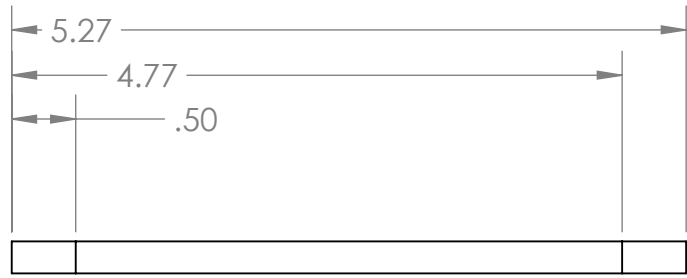
1

2

1

B

B



A

A

**PROPRIETARY AND CONFIDENTIAL**  
THE INFORMATION CONTAINED IN THIS DRAWING IS THE SOLE PROPERTY OF <INSERT COMPANY NAME HERE>. ANY REPRODUCTION IN PART OR AS A WHOLE WITHOUT THE WRITTEN PERMISSION OF <INSERT COMPANY NAME HERE> IS PROHIBITED.

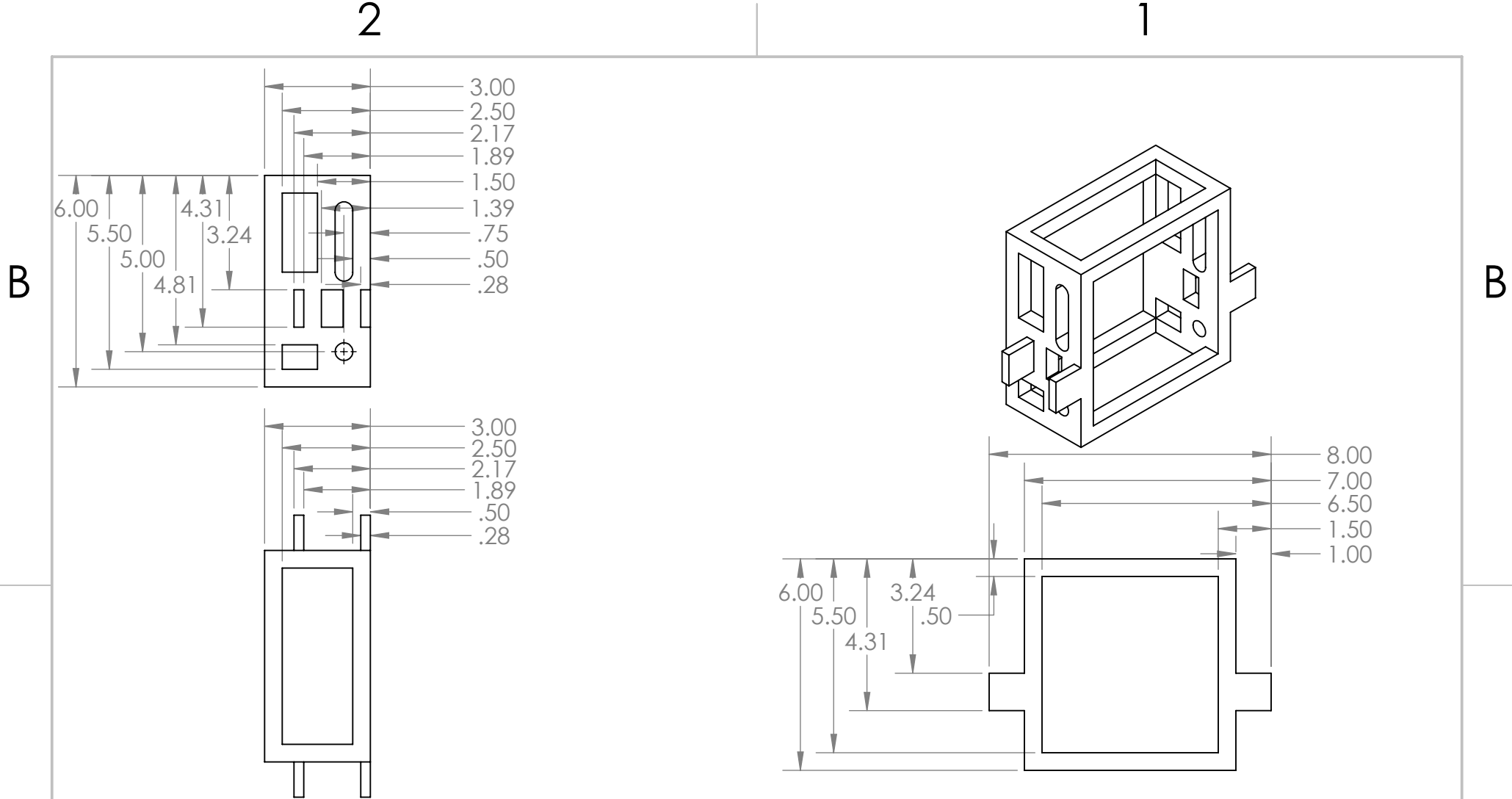
		UNLESS OTHERWISE SPECIFIED:		NAME	DATE
		DIMENSIONS ARE IN INCHES TOLERANCES: ANSI STANDARD FRACTIONAL ± ANGULAR: MACH ± BEND ± TWO PLACE DECIMAL ± THREE PLACE DECIMAL ±	DRAWN	IA	4/22/21
		INTERPRET GEOMETRIC TOLERANCING PER:	CHECKED		
		MATERIAL POLYLACTIC ACID	ENG APPR.		
		FINISH N/A	MFG APPR.		
NEXT ASSY	USED ON		Q.A.		
APPLICATION		DO NOT SCALE DRAWING	COMMENTS: ALL HOLES ARE THE SAME DIAMETER.		

TITLE:  
**ARMS FOR SCISSOR  
LIFT**

SIZE <b>A</b>	DWG. NO. <b>4</b>	REV <b>1</b>
SCALE: 1:1	WEIGHT:	SHEET 1 OF 1

2

1

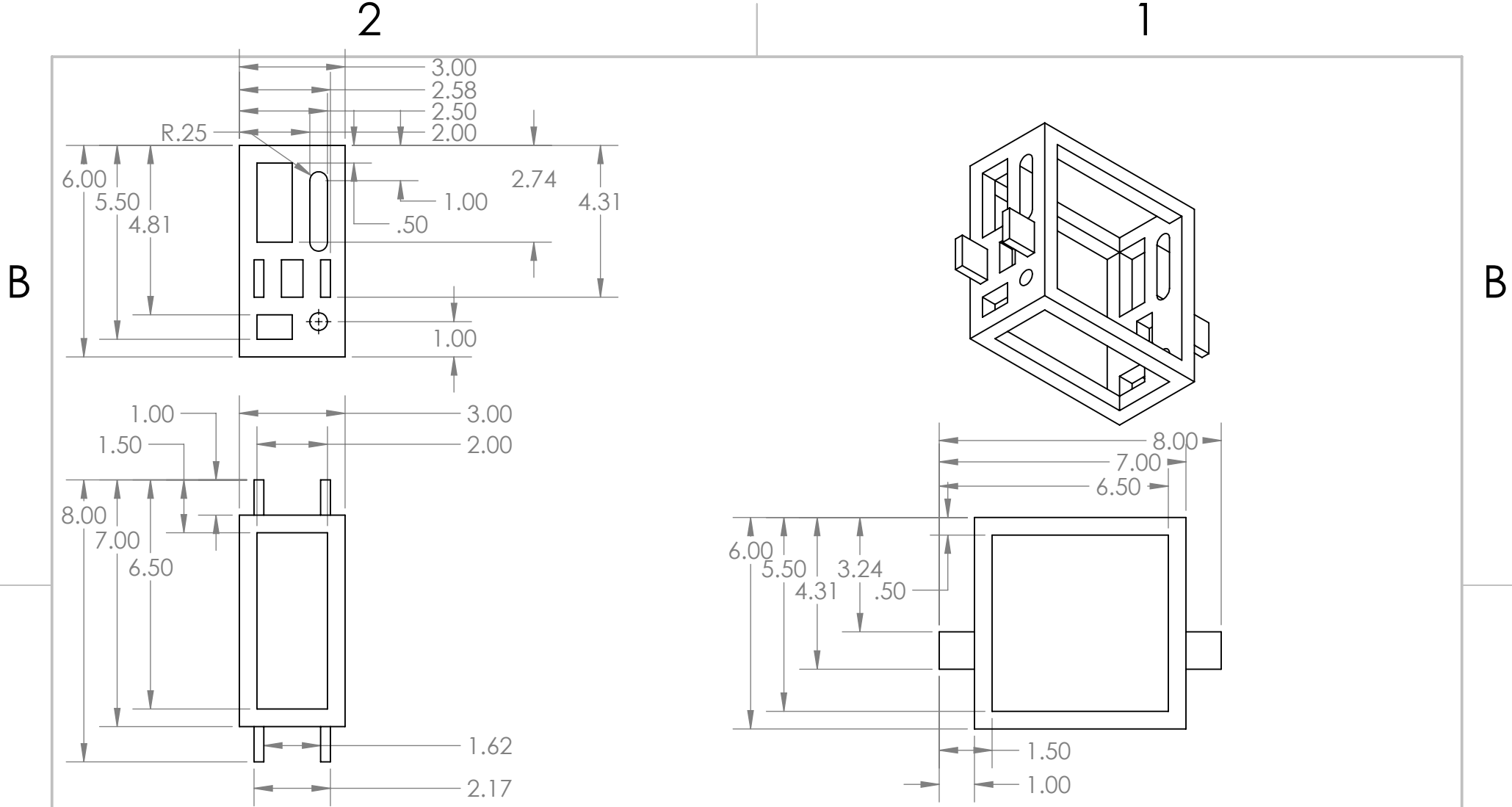


**PROPRIETARY AND CONFIDENTIAL**  
 THE INFORMATION CONTAINED IN THIS DRAWING IS THE SOLE PROPERTY OF <INSERT COMPANY NAME HERE>. ANY REPRODUCTION IN PART OR AS A WHOLE WITHOUT THE WRITTEN PERMISSION OF <INSERT COMPANY NAME HERE> IS PROHIBITED.

		UNLESS OTHERWISE SPECIFIED:		NAME	DATE
		DIMENSIONS ARE IN INCHES TOLERANCES: ANSI STANDARD FRACTIONAL ± ANGULAR: MACH ± BEND ± TWO PLACE DECIMAL ± THREE PLACE DECIMAL ±	DRAWN	IA	4/15/21
		INTERPRET GEOMETRIC TOLERANCING PER:	CHECKED		
		MATERIAL POLYLACTIC ACID	ENG APPR.		
		FINISH N/A	MFG APPR.		
NEXT ASSY	USED ON		Q.A.		
			COMMENTS:		
APPLICATION		DO NOT SCALE DRAWING			

TITLE:  
**SMALL-SCALE PSYCHE ROBOTIC  
 EXPLORER MIDDLE RIGHT BODY  
 SEGMENT**

SIZE <b>A</b>	DWG. NO. <b>5</b>	REV <b>1</b>
SCALE: 1:4	WEIGHT:	SHEET 1 OF 1



A

A

**PROPRIETARY AND CONFIDENTIAL**  
 THE INFORMATION CONTAINED IN THIS DRAWING IS THE SOLE PROPERTY OF <INSERT COMPANY NAME HERE>. ANY REPRODUCTION IN PART OR AS A WHOLE WITHOUT THE WRITTEN PERMISSION OF <INSERT COMPANY NAME HERE> IS PROHIBITED.

		UNLESS OTHERWISE SPECIFIED:		NAME	DATE
		DIMENSIONS ARE IN INCHES	DRAWN	IA	4/15/21
		TOLERANCES: ANSI US STANDARD	CHECKED		
		FRACTIONAL ±	ENG APPR.		
		ANGULAR: MACH ± BEND ±	MFG APPR.		
		TWO PLACE DECIMAL ±	Q.A.		
		THREE PLACE DECIMAL ±	COMMENTS:		
		INTERPRET GEOMETRIC TOLERANCING PER:			
		MATERIAL			
		POLYLACTIC ACID			
		FINISH			
		N/A			
NEXT ASSY	USED ON				
APPLICATION		DO NOT SCALE DRAWING			

**TITLE:**  
 SMALL-SCALE PSYCHE ROVER  
 MODEL RIGHT BODY  
 SEGMENT

SIZE	DWG. NO.	REV
<b>A</b>	<b>6</b>	<b>1</b>
SCALE: 1:4	WEIGHT:	SHEET 1 OF 1

2

1

B

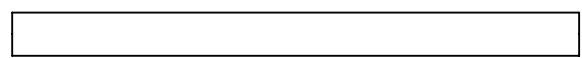
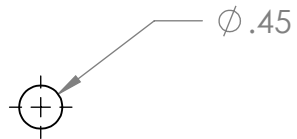
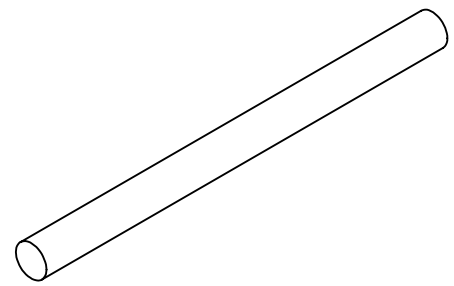
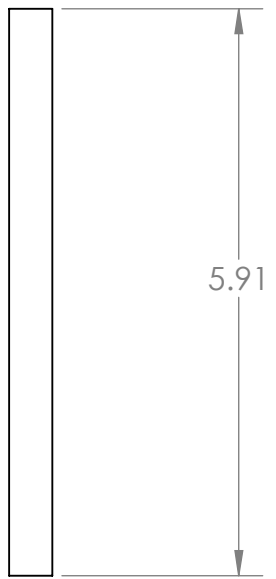
B

2

1

B

B



A

A

**PROPRIETARY AND CONFIDENTIAL**  
 THE INFORMATION CONTAINED IN THIS DRAWING IS THE SOLE PROPERTY OF <INSERT COMPANY NAME HERE>. ANY REPRODUCTION IN PART OR AS A WHOLE WITHOUT THE WRITTEN PERMISSION OF <INSERT COMPANY NAME HERE> IS PROHIBITED.

		UNLESS OTHERWISE SPECIFIED:		NAME	DATE
		DIMENSIONS ARE IN INCHES TOLERANCES: ANSI STANDARD FRACTIONAL ± ANGULAR: MACH ± BEND ± TWO PLACE DECIMAL ± THREE PLACE DECIMAL ±	DRAWN	IA	4/22/21
		INTERPRET GEOMETRIC TOLERANCING PER:	CHECKED		
		MATERIAL POLYLACTIC ACID	ENG APPR.		
		FINISH N/A	MFG APPR.		
NEXT ASSY	USED ON		Q.A.		
APPLICATION		DO NOT SCALE DRAWING	COMMENTS:		

TITLE:  
**SHAFT FOR MIDDLE OF  
 SCISSOR LIFT**

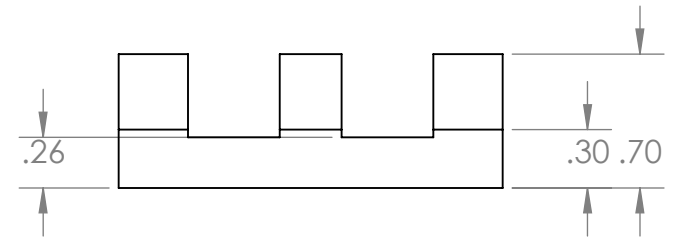
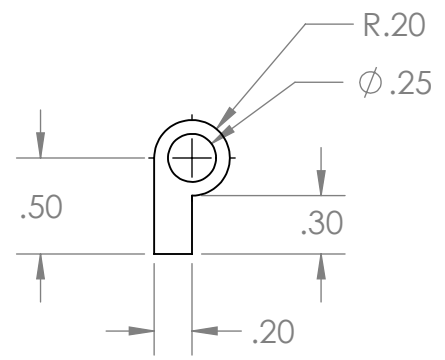
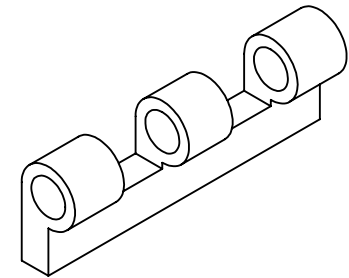
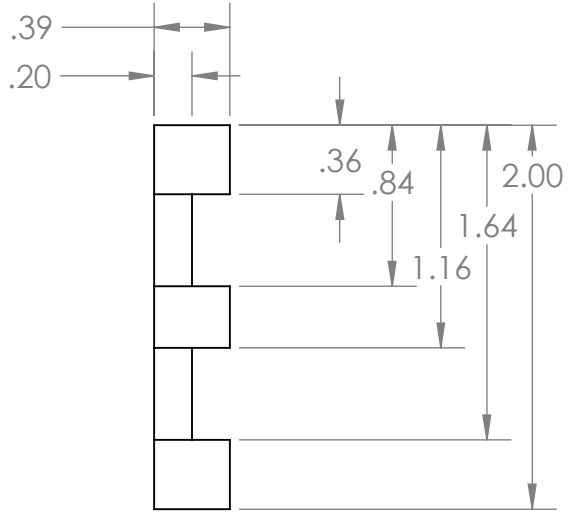
SIZE	DWG. NO.	REV
<b>A</b>	<b>7</b>	<b>1</b>
SCALE: 1:2	WEIGHT:	SHEET 1 OF 1

2

1

2

1



B

B

A

A

**PROPRIETARY AND CONFIDENTIAL**  
 THE INFORMATION CONTAINED IN THIS DRAWING IS THE SOLE PROPERTY OF <INSERT COMPANY NAME HERE>. ANY REPRODUCTION IN PART OR AS A WHOLE WITHOUT THE WRITTEN PERMISSION OF <INSERT COMPANY NAME HERE> IS PROHIBITED.

		UNLESS OTHERWISE SPECIFIED:		NAME	DATE
		DIMENSIONS ARE IN INCHES TOLERANCES: ANSI STANDARD FRACTIONAL ± ANGULAR: MACH ± BEND ± TWO PLACE DECIMAL ± THREE PLACE DECIMAL ±	DRAWN	IA	4/22/21
		INTERPRET GEOMETRIC TOLERANCING PER:	CHECKED		
		MATERIAL POLYLACTIC ACID	ENG APPR.		
		FINISH N/A	MFG APPR.		
NEXT ASSY	USED ON		Q.A.		
APPLICATION		DO NOT SCALE DRAWING	COMMENTS:		

TITLE: <b>HINGE PART 1</b>		
SIZE <b>A</b>	DWG. NO. <b>8</b>	REV <b>1</b>
SCALE: 1:1	WEIGHT:	SHEET 1 OF 1

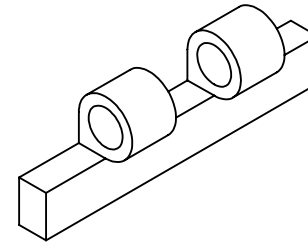
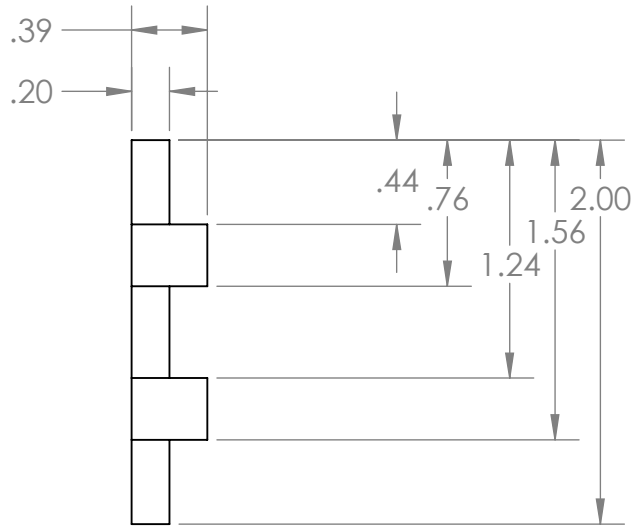
2

1



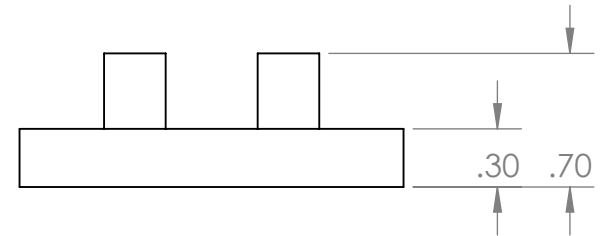
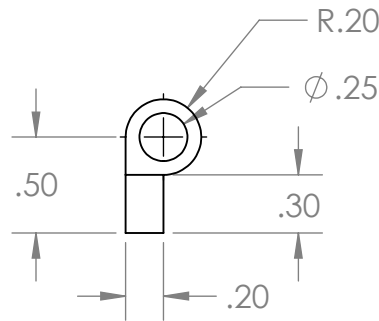
2

1



B

B



A

A

**PROPRIETARY AND CONFIDENTIAL**  
 THE INFORMATION CONTAINED IN THIS DRAWING IS THE SOLE PROPERTY OF <INSERT COMPANY NAME HERE>. ANY REPRODUCTION IN PART OR AS A WHOLE WITHOUT THE WRITTEN PERMISSION OF <INSERT COMPANY NAME HERE> IS PROHIBITED.

		UNLESS OTHERWISE SPECIFIED:		NAME	DATE
		DIMENSIONS ARE IN INCHES TOLERANCES: ANSI STANDARD FRACTIONAL ± ANGULAR: MACH ± BEND ± TWO PLACE DECIMAL ± THREE PLACE DECIMAL ±	DRAWN	IA	4/22/21
		INTERPRET GEOMETRIC TOLERANCING PER:	CHECKED		
		MATERIAL POLYLACTIC ACID	ENG APPR.		
		FINISH N/A	MFG APPR.		
NEXT ASSY	USED ON		Q.A.		
APPLICATION		DO NOT SCALE DRAWING	COMMENTS:		

TITLE:  
**HINGE PART 2**

SIZE <b>A</b>	DWG. NO. 9	REV 1
SCALE: 1:1	WEIGHT:	SHEET 1 OF 1

2

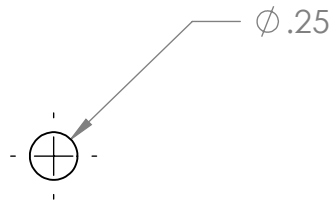
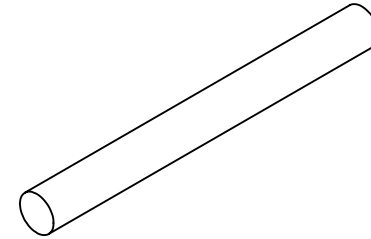
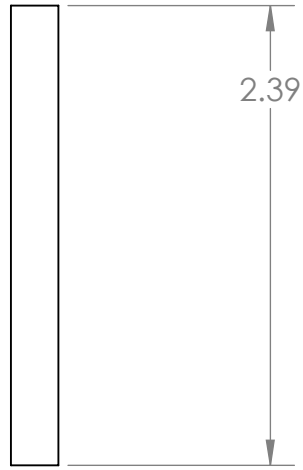
1

2

1

B

B



A

A

**PROPRIETARY AND CONFIDENTIAL**  
 THE INFORMATION CONTAINED IN THIS DRAWING IS THE SOLE PROPERTY OF <INSERT COMPANY NAME HERE>. ANY REPRODUCTION IN PART OR AS A WHOLE WITHOUT THE WRITTEN PERMISSION OF <INSERT COMPANY NAME HERE> IS PROHIBITED.

		UNLESS OTHERWISE SPECIFIED:		NAME	DATE
		DIMENSIONS ARE IN INCHES TOLERANCES: ANSI STANDARD FRACTIONAL $\pm$ ANGULAR: MACH $\pm$ BEND $\pm$ TWO PLACE DECIMAL $\pm$ THREE PLACE DECIMAL $\pm$	DRAWN	IA	4/22/21
		INTERPRET GEOMETRIC TOLERANCING PER:	CHECKED		
		MATERIAL POLYLACTIC ACID	ENG APPR.		
		FINISH N/A	MFG APPR.		
NEXT ASSY	USED ON		Q.A.		
APPLICATION		DO NOT SCALE DRAWING	COMMENTS:		

TITLE: <b>HINGE PIN</b>		
SIZE <b>A</b>	DWG. NO. <b>10</b>	REV <b>1</b>
SCALE: 1:1	WEIGHT:	SHEET 1 OF 1

2

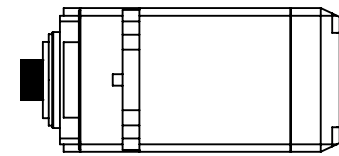
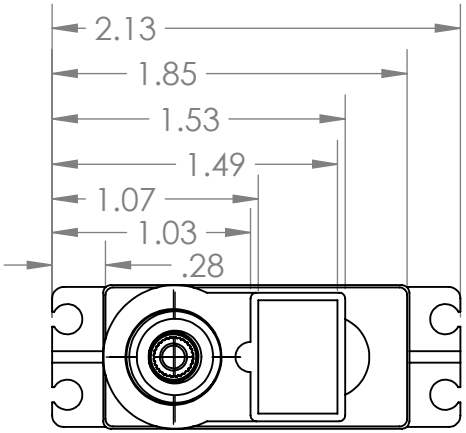
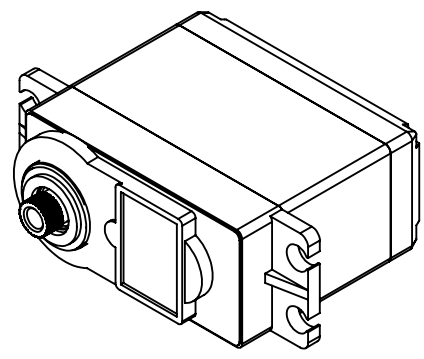
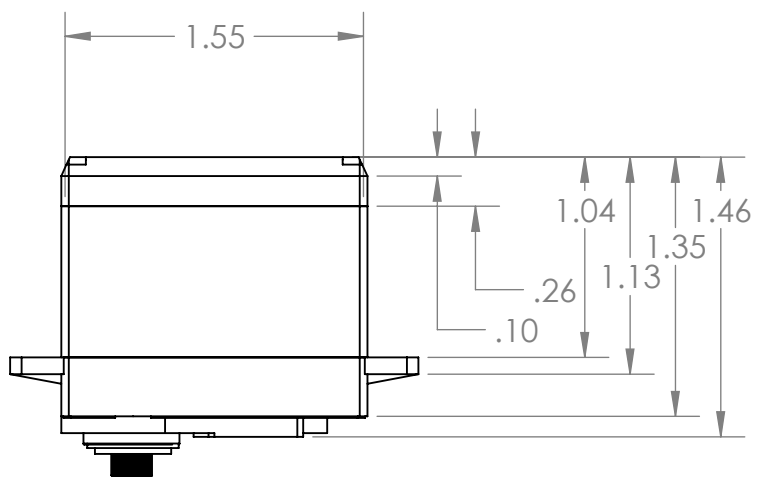
1

2

1

B

B



A

A

**PROPRIETARY AND CONFIDENTIAL**  
 THE INFORMATION CONTAINED IN THIS DRAWING IS THE SOLE PROPERTY OF <INSERT COMPANY NAME HERE>. ANY REPRODUCTION IN PART OR AS A WHOLE WITHOUT THE WRITTEN PERMISSION OF <INSERT COMPANY NAME HERE> IS PROHIBITED.

		UNLESS OTHERWISE SPECIFIED:		NAME	DATE
		DIMENSIONS ARE IN INCHES TOLERANCES: ANSI STANDARD FRACTIONAL ± ANGULAR: MACH ± BEND ± TWO PLACE DECIMAL ± THREE PLACE DECIMAL ±	DRAWN	IA	4/22/21
		INTERPRET GEOMETRIC TOLERANCING PER:	CHECKED		
		MATERIAL	ENG APPR.		
		FINISH	MFG APPR.		
NEXT ASSY	USED ON	N/A	Q.A.		
		N/A	COMMENTS:		
APPLICATION		DO NOT SCALE DRAWING			

TITLE: <b>20kg Servo</b>		
SIZE <b>A</b>	DWG. NO. <b>11</b>	REV <b>1</b>
SCALE: 1:1	WEIGHT:	SHEET 1 OF 1

2

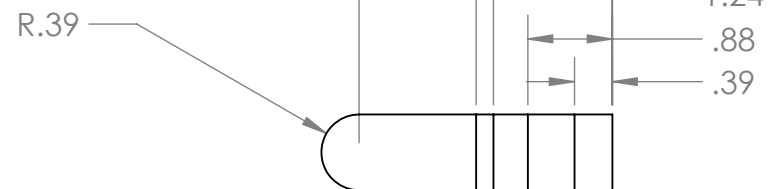
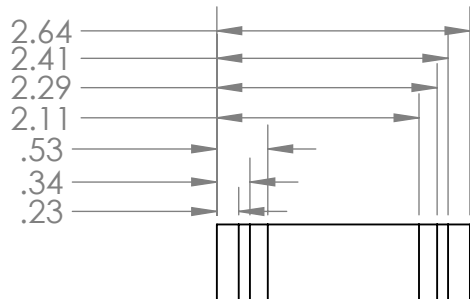
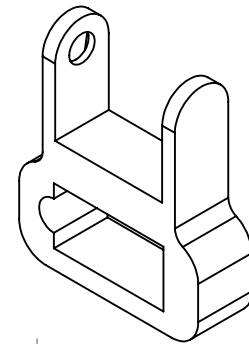
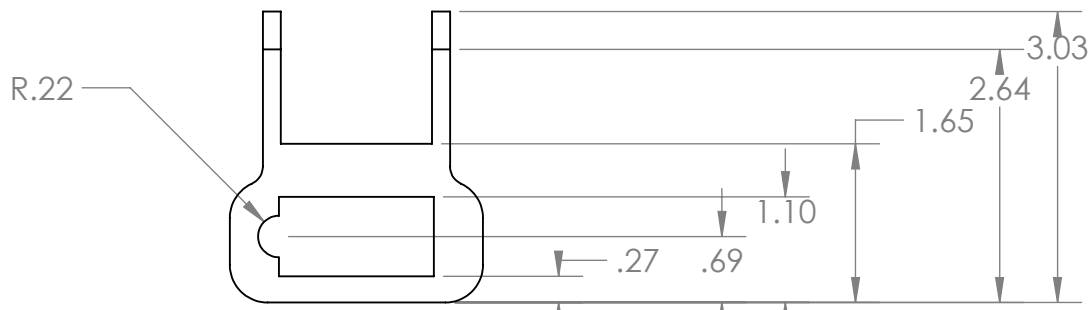
1

2

1

B

B



A

A

**PROPRIETARY AND CONFIDENTIAL**  
 THE INFORMATION CONTAINED IN THIS DRAWING IS THE SOLE PROPERTY OF <INSERT COMPANY NAME HERE>. ANY REPRODUCTION IN PART OR AS A WHOLE WITHOUT THE WRITTEN PERMISSION OF <INSERT COMPANY NAME HERE> IS PROHIBITED.

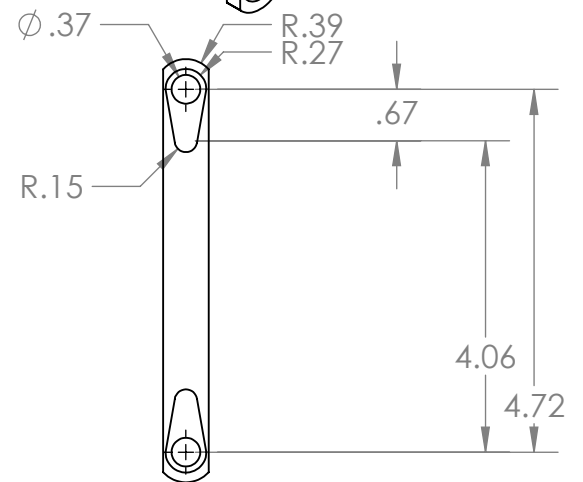
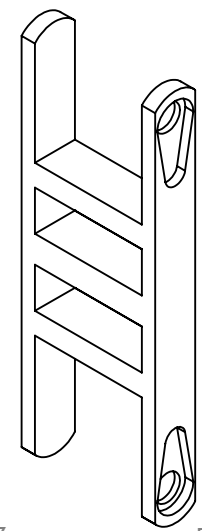
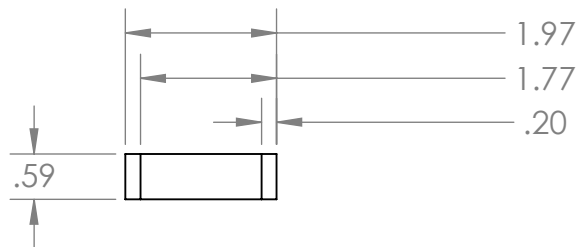
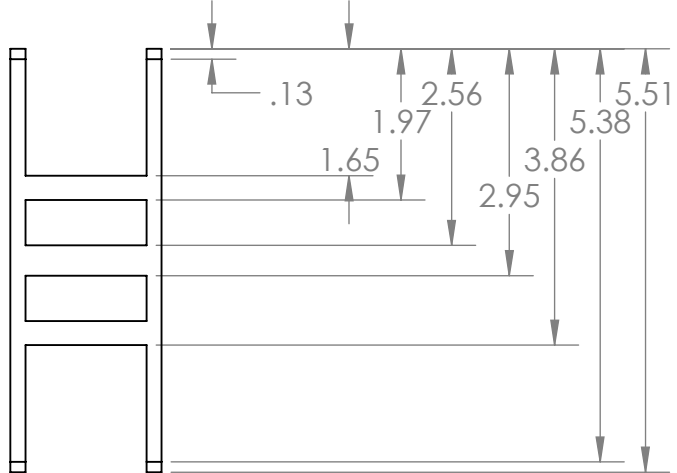
		UNLESS OTHERWISE SPECIFIED:		NAME	DATE
		DIMENSIONS ARE IN INCHES TOLERANCES: ANSI STANDARD FRACTIONAL ± ANGULAR: MACH ± BEND ± TWO PLACE DECIMAL ± THREE PLACE DECIMAL ±	DRAWN	IA	4/15/21
		INTERPRET GEOMETRIC TOLERANCING PER:	CHECKED		
		MATERIAL POLYLACTIC ACID	ENG APPR.		
		FINISH N/A	MFG APPR.		
NEXT ASSY	USED ON		Q.A.		
		APPLICATION	COMMENTS:		
		DO NOT SCALE DRAWING			

TITLE:  
**SMALL-SCALE PSYCHE ROBOTIC  
 EXPLORER LEG SEGMENT 1**

SIZE	DWG. NO.	REV
<b>A</b>	<b>12</b>	<b>1</b>
SCALE: 1:1	WEIGHT:	SHEET 1 OF 1

2

1



**PROPRIETARY AND CONFIDENTIAL**  
 THE INFORMATION CONTAINED IN THIS DRAWING IS THE SOLE PROPERTY OF <INSERT COMPANY NAME HERE>. ANY REPRODUCTION IN PART OR AS A WHOLE WITHOUT THE WRITTEN PERMISSION OF <INSERT COMPANY NAME HERE> IS PROHIBITED.

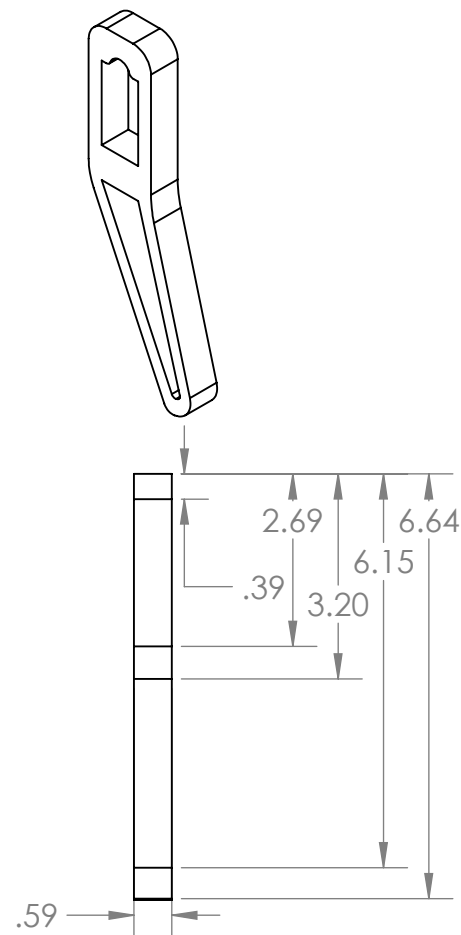
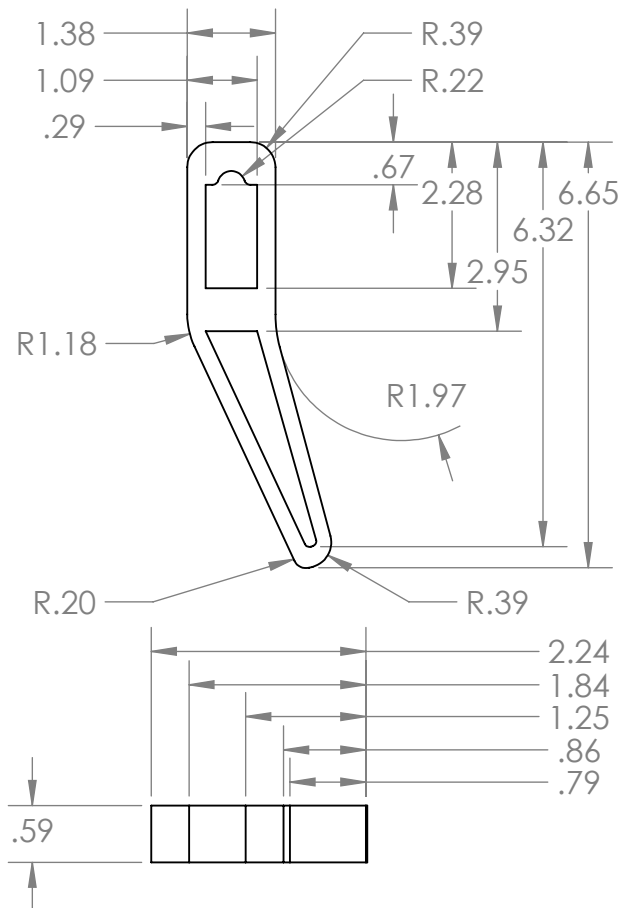
		UNLESS OTHERWISE SPECIFIED:		NAME	DATE
		DIMENSIONS ARE IN INCHES TOLERANCES: ANSI STANDARD FRACTIONAL ± ANGULAR: MACH ± BEND ± TWO PLACE DECIMAL ± THREE PLACE DECIMAL ±	DRAWN	IA	4/15/21
		INTERPRET GEOMETRIC TOLERANCING PER:	CHECKED		
		MATERIAL POLYLACTIC ACID	ENG APPR.		
		FINISH N/A	MFG APPR.		
NEXT ASSY	USED ON		Q.A.		
APPLICATION		DO NOT SCALE DRAWING	COMMENTS:		

TITLE:  
**SMALL-SCALE PSYCHE ROBOTIC  
 EXPLORER LEG SEGMENT 2**

SIZE <b>A</b>	DWG. NO. <b>13</b>	REV <b>1</b>
SCALE: 1:2		WEIGHT:
SHEET 1 OF 1		

B

B



A

A

**PROPRIETARY AND CONFIDENTIAL**  
 THE INFORMATION CONTAINED IN THIS DRAWING IS THE SOLE PROPERTY OF <INSERT COMPANY NAME HERE>. ANY REPRODUCTION IN PART OR AS A WHOLE WITHOUT THE WRITTEN PERMISSION OF <INSERT COMPANY NAME HERE> IS PROHIBITED.

		UNLESS OTHERWISE SPECIFIED:		NAME	DATE
		DIMENSIONS ARE IN INCHES TOLERANCES: ANSI STANDARD FRACTIONAL ± ANGULAR: MACH ± BEND ± TWO PLACE DECIMAL ± THREE PLACE DECIMAL ±	DRAWN	IA	4/15/21
		INTERPRET GEOMETRIC TOLERANCING PER:	CHECKED		
		MATERIAL POLYLACTIC ACID	ENG APPR.		
NEXT ASSY	USED ON	FINISH N/A	MFG APPR.		
APPLICATION		DO NOT SCALE DRAWING	Q.A.		
			COMMENTS:		

TITLE: NAU SMALL-SCALE PSYCHE ROBOTIC EXPLORER LEG SEGMENT 3		
SIZE <b>A</b>	DWG. NO. <b>14</b>	REV <b>1</b>
SCALE: 1:2	WEIGHT:	SHEET 1 OF 1

2

1

B

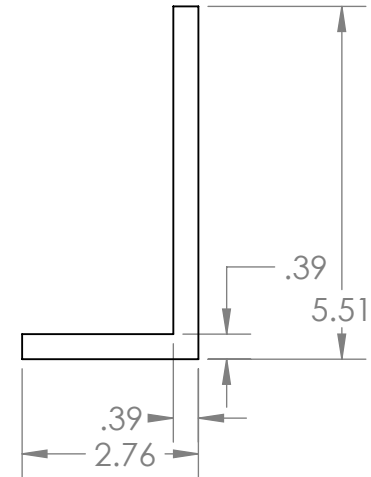
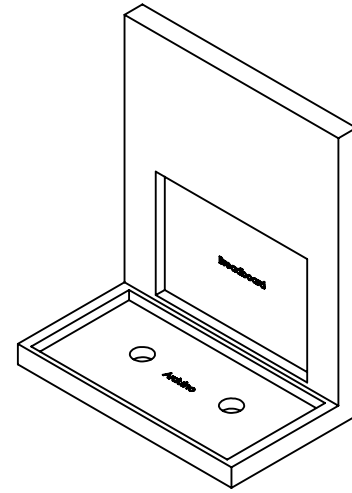
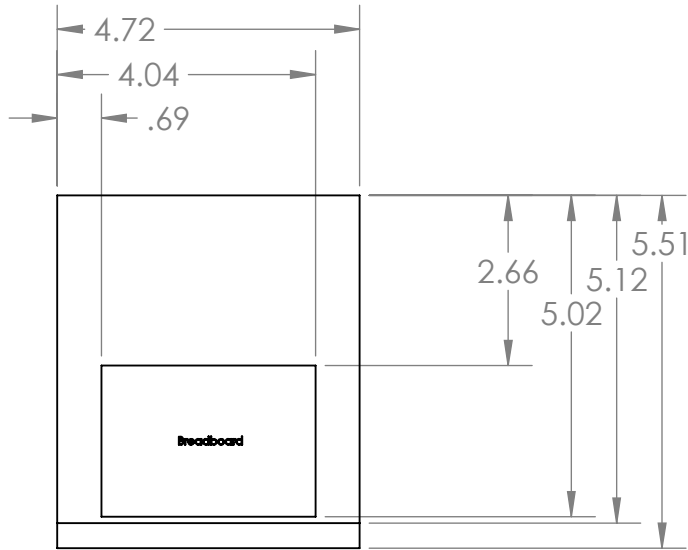
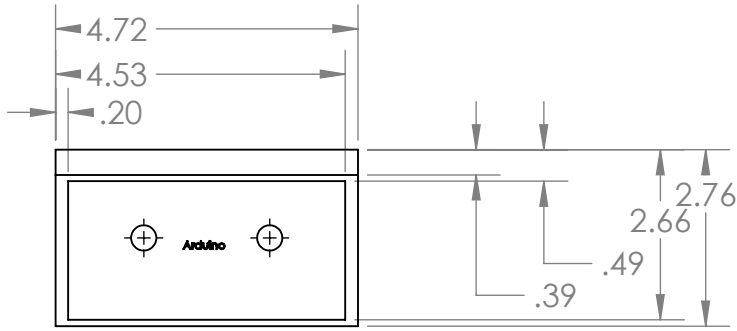
A

B

A

2

1



**PROPRIETARY AND CONFIDENTIAL**  
 THE INFORMATION CONTAINED IN THIS DRAWING IS THE SOLE PROPERTY OF <INSERT COMPANY NAME HERE>. ANY REPRODUCTION IN PART OR AS A WHOLE WITHOUT THE WRITTEN PERMISSION OF <INSERT COMPANY NAME HERE> IS PROHIBITED.

		UNLESS OTHERWISE SPECIFIED:		NAME	DATE
		DIMENSIONS ARE IN INCHES TOLERANCES: ANSI STANDARD FRACTIONAL ± ANGULAR: MACH ± BEND ± TWO PLACE DECIMAL ± THREE PLACE DECIMAL ±	DRAWN	IA	4/22/21
		INTERPRET GEOMETRIC TOLERANCING PER:	CHECKED		
		MATERIAL POLYLACTIC ACID	ENG APPR.		
		FINISH N/A	MFG APPR.		
NEXT ASSY	USED ON		Q.A.		
APPLICATION		DO NOT SCALE DRAWING	COMMENTS:		

TITLE: <b>ARDUINO &amp; BREADBOARD MOUNT</b>		
SIZE <b>A</b>	DWG. NO. <b>15</b>	REV <b>1</b>
SCALE: 1:2	WEIGHT:	SHEET 1 OF 1

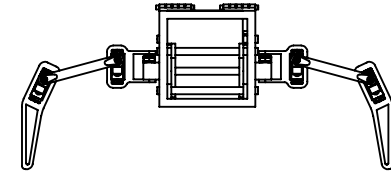
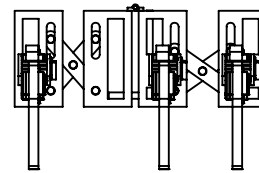
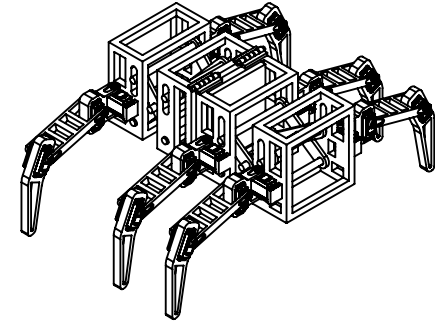
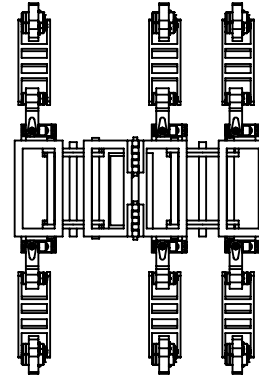
2

1

B

B

ITEM NO.	PART NUMBER	DESCRIPTION	QTY.
1		Left Body Segment	1
2		Shafts for Scissor Lift	8
3		Middle Left Body Segment	1
4		Arms for Scissor Lift	8
5		Middle right Body Segment	1
6		Right Body Segment	1
7		Shaft for middle of Scissor Lift	2
8		Hinge	2
9		Hinge 2	2
10		Hinge Pin	2
11		20kg Servo	18
12		Segment 1	6
13		Segment 2	6
14		Segment 3	6
15		Arduino and breadboard mount	1



A

A

<p><b>PROPRIETARY AND CONFIDENTIAL</b></p> <p>THE INFORMATION CONTAINED IN THIS DRAWING IS THE SOLE PROPERTY OF &lt;INSERT COMPANY NAME HERE&gt;. ANY REPRODUCTION IN PART OR AS A WHOLE WITHOUT THE WRITTEN PERMISSION OF &lt;INSERT COMPANY NAME HERE&gt; IS PROHIBITED.</p>			UNLESS OTHERWISE SPECIFIED:		NAME	DATE	<p>TITLE:</p> <p><b>SMALL-SCALE PSYCHE ROBOTIC EXPLORER</b></p>		
			DIMENSIONS ARE IN INCHES TOLERANCES: ANSI STANDARD FRACTIONAL ± ANGULAR: MACH ± BEND ± TWO PLACE DECIMAL ± THREE PLACE DECIMAL ±	DRAWN	IA	4/22/21			
			INTERPRET GEOMETRIC TOLERANCING PER:	CHECKED					
			MATERIAL <b>POLYLACTIC ACID</b>	ENG APPR.					
			FINISH N/A	MFG APPR.					
	NEXT ASSY	USED ON		Q.A.			SIZE	DWG. NO.	REV
		APPLICATION	DO NOT SCALE DRAWING	COMMENTS:			<b>A</b>	<b>16</b>	<b>1</b>
							SCALE: 1:8	WEIGHT:	SHEET 1 OF 1