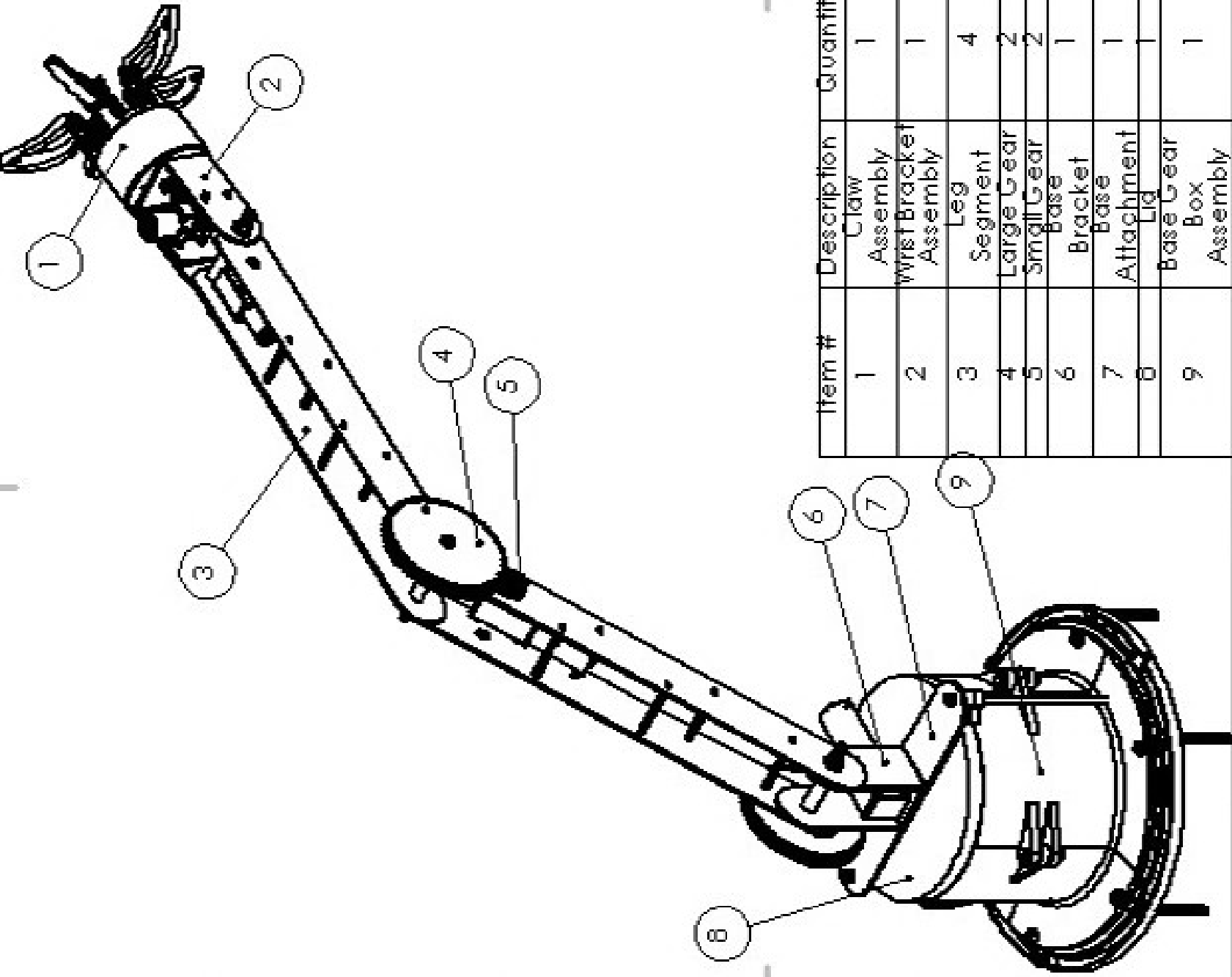


APPROVED FOR DESIGN		DATE		DESIGN AND DRAWING NO.		DO NOT WRITE OVER THIS		REVISION	
DATE	DESIGNER	DATE							
CHKD									
APPV									
DATE									
DATE									
DATE						DATE		DATE	
DATE								DATE	

Planetary Gear Carrier
 A3
 DATE 11 DATE 11 DATE 11



Item #	Description	Quantity
1	Claw Assembly	1
2	Wrist Bracket Assembly	1
3	Leg Segment	4
4	Large Gear	2
5	Small Gear	2
6	Bracket	1
7	Base Attachment	1
8	Lid	1
9	Base Gear Box Assembly	1

UNLESS OTHERWISE SPECIFIED:
DIMENSIONS ARE IN MILLIMETERS
DIMENSIONS UNLESS OTHERWISE
SPECIFIED ARE IN MILLIMETERS

UNIT

DESIGN AND
DEVELOPMENT
NO. 00

DESIGNER'S NAME

BY/REV

DATE
BY
APPROVED
DATE

NAME

DATE

DATE

BY/REV

Revised Full Scale Model Drawing

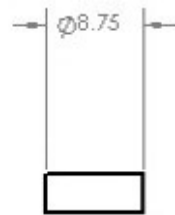
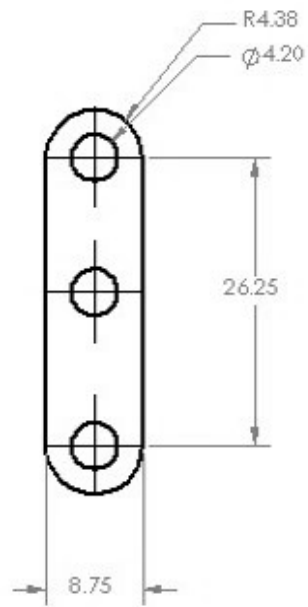
A4

DATE

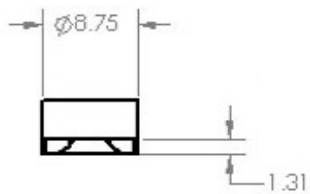
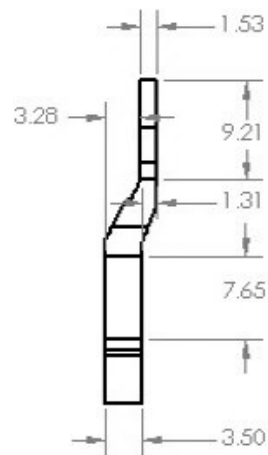
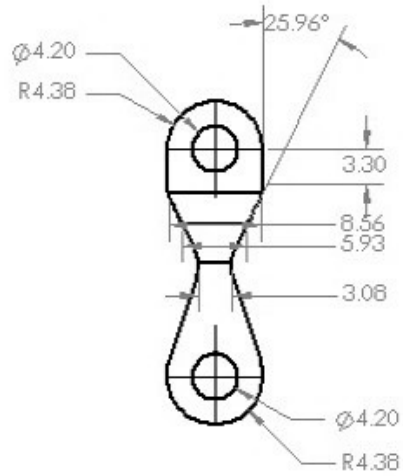
BY/REV

DATE

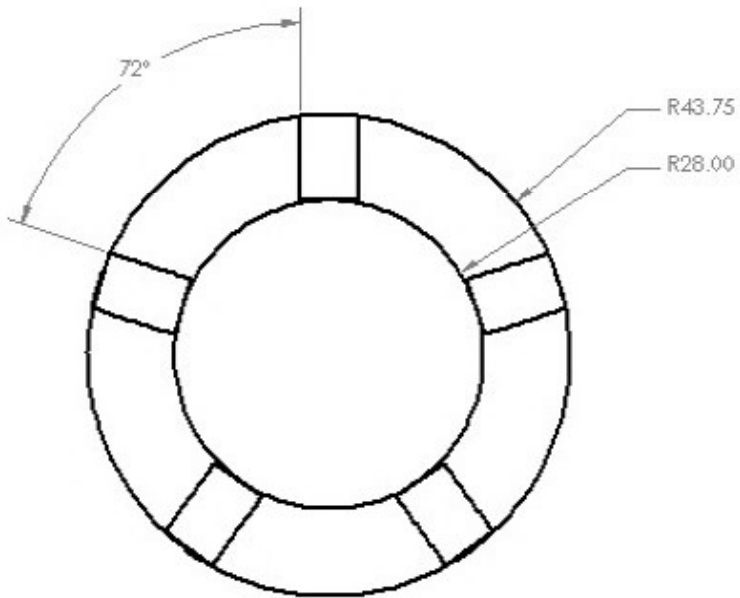
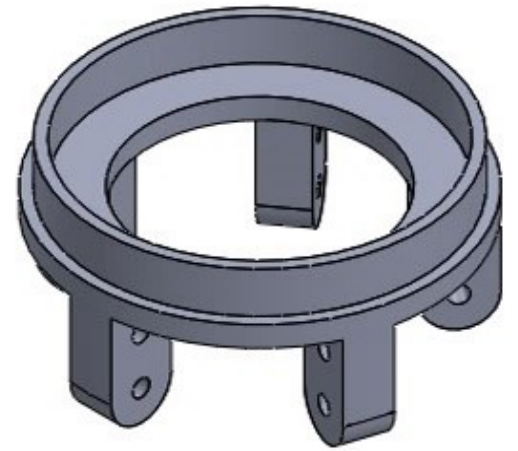
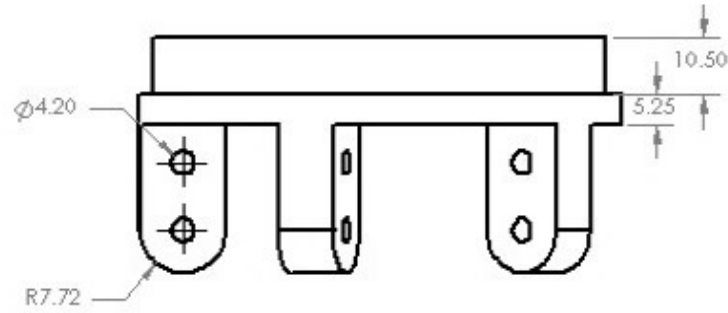
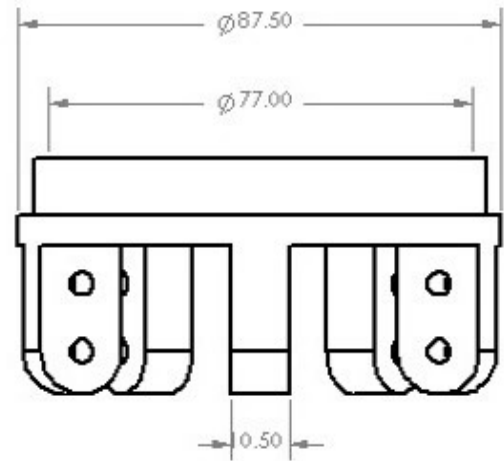
BY/REV



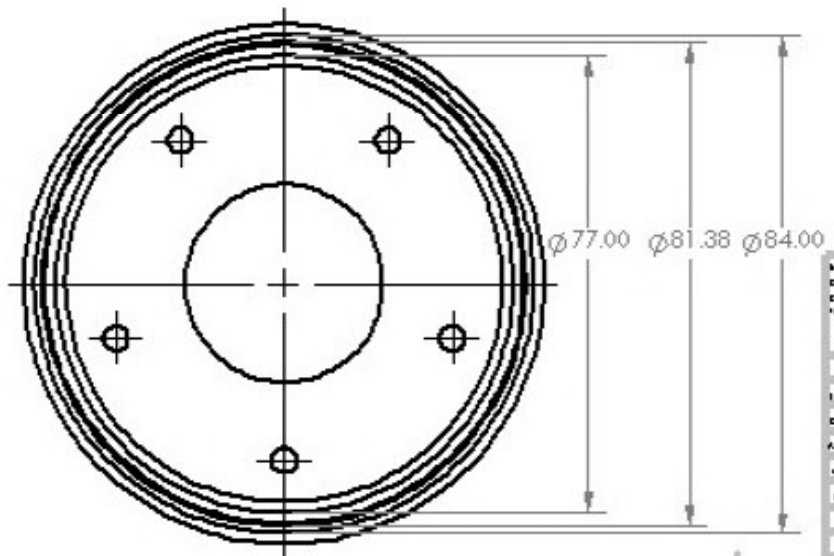
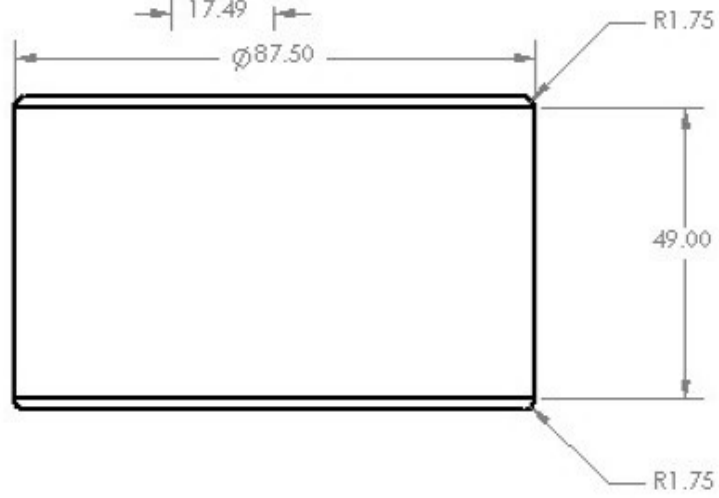
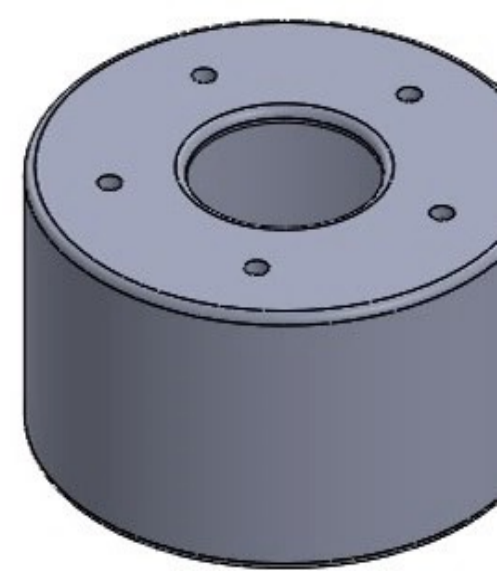
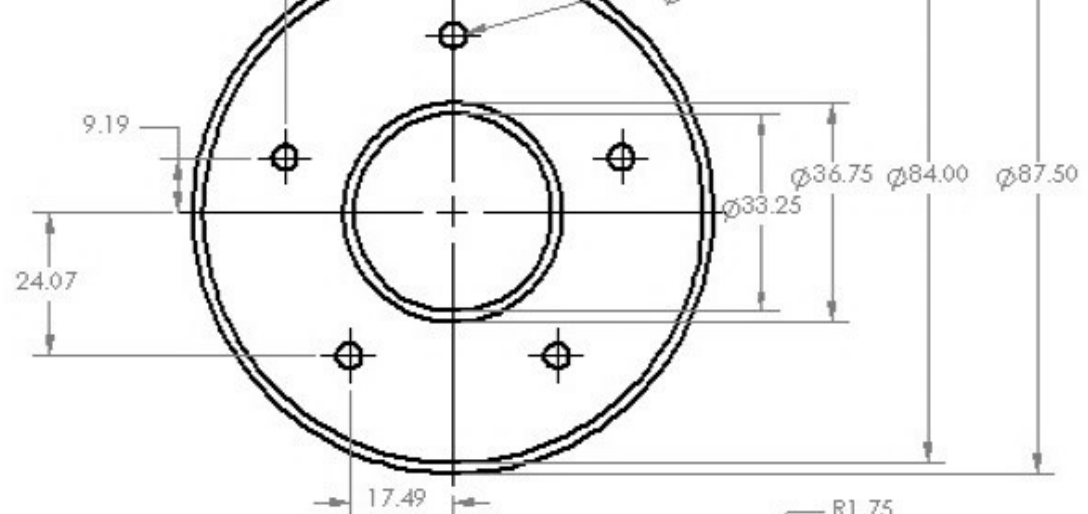
UNLESS OTHERWISE SPECIFIED: DIMENSIONS ARE IN MILLIMETERS SURFACE FINISH: HOLE FINISH: THREADS: ANGLES:			FINISH:		DIMENSIONS AND TOLERANCES: UNLESS OTHERWISE SPECIFIED		SCALE: AS SHOWN		REVISION 1		
							NAU Psyche Team				
							Bolt Plate 2				
	DATE	DESIGNED BY	CHECKED BY	DRAWN BY			DWG NO		AS		
							2				
				MMGS							
				SCALE							
				SHEET			2		1 OF 1		



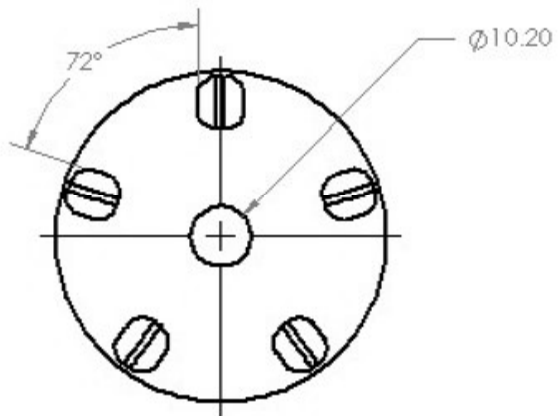
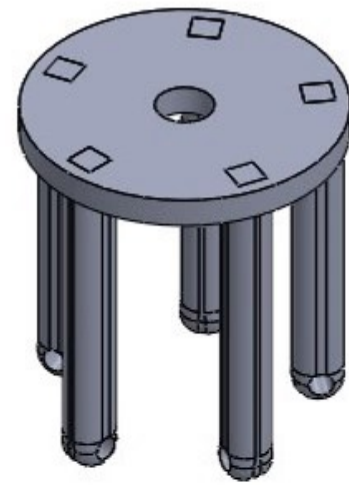
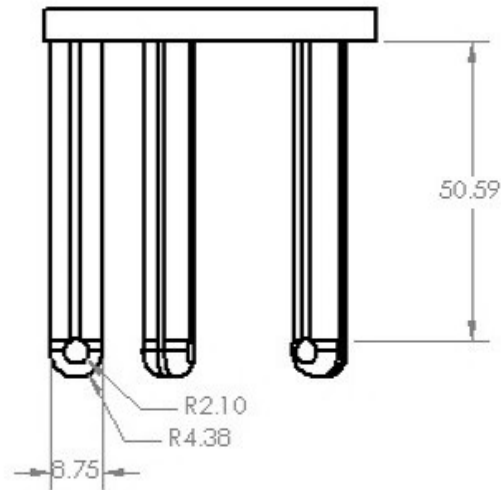
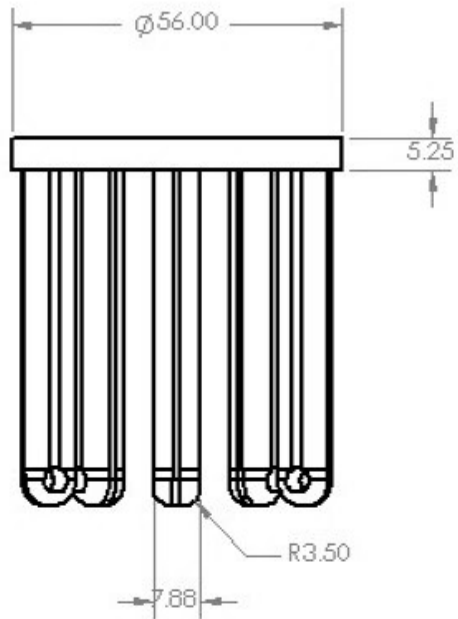
UNITS: DIMENSIONS SPECIFIED DIMENSIONS ARE IN MILLIMETERS SURFACE FINISH: FOR FINISHES: LINEAR: ANGULAR:			TOLERANCE		DROUS AND BEVE SHARP EDGES		DO NOT SCALE DRAWING		REVISION 1		
							NAU Psyche Team				
							Bolt Plate				
DATE	NAME	SIGNATURE	DATE				MFG				
	Some Jacob		4/25/21								
CHKD											
APP'D											
MFG											
D.A.						Unit	DWG NO		1		
						MINGS			A3		
						WCSH	SCALE: 1:1		SHEET 1 OF 1		



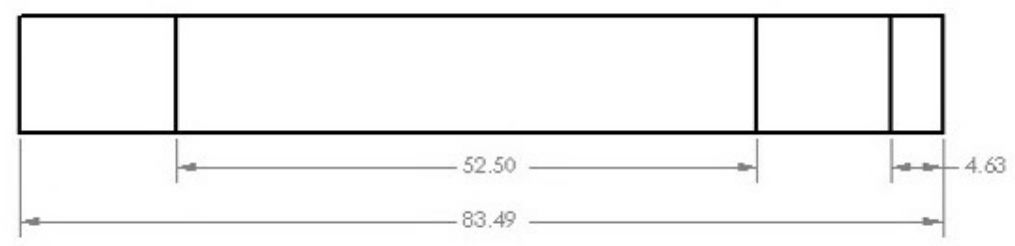
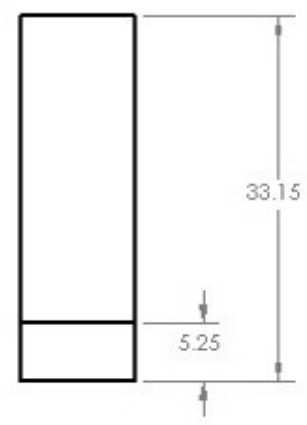
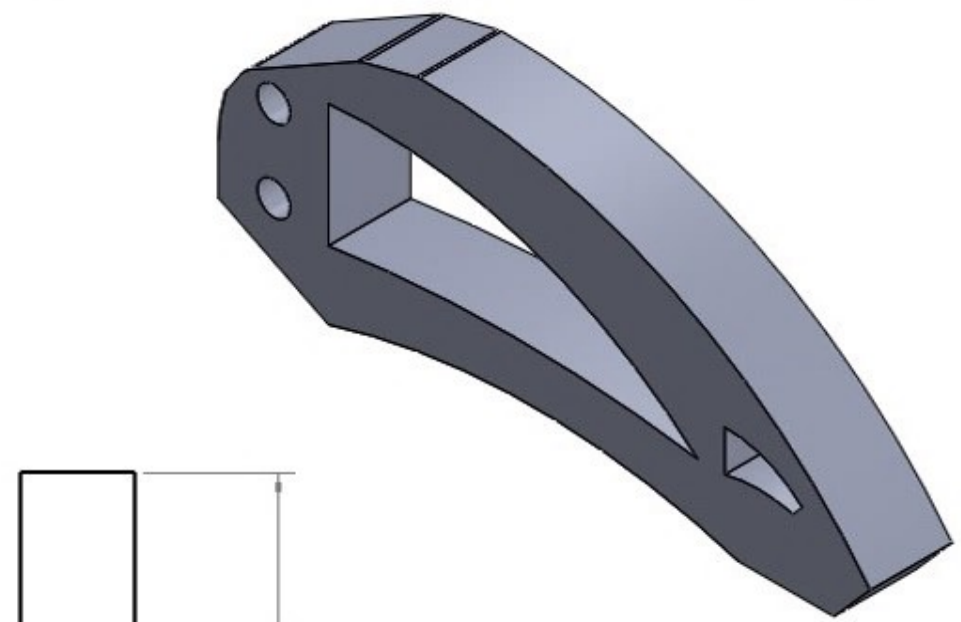
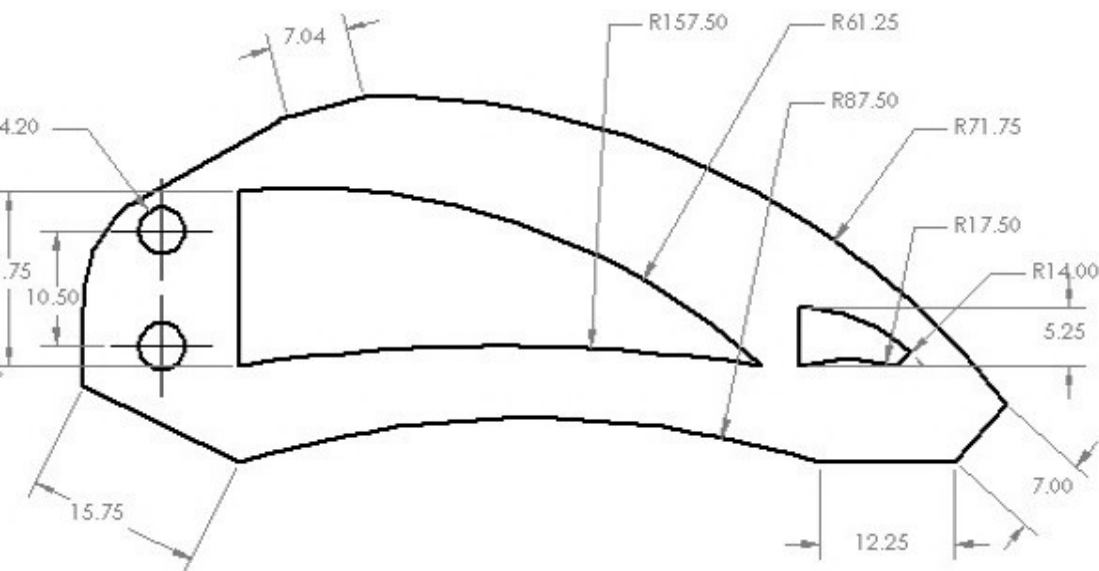
UNLESS OTHERWISE SPECIFIED: DIMENSIONS ARE IN MILLIMETERS SURFACE FINISH: TOLERANCES: UNLESS INDICATED			FINISH		DIMENSIONS AND EDGE SHARP EDGES		DO NOT SCALE DRAWING		REVISION 1		
							NAU Psyche Team				
							Housing Bottom				
DATE			DRAWN		CHECKED		DWG NO		3		
APP'D			DATE		DATE		SCALE		A3		
MFG			DATE		DATE		SHEET		3 OF 1		
D.A.			DATE		DATE		SHEET		3 OF 1		
			DATE		DATE		SHEET		3 OF 1		



DESIGNED BY: REVISED BY: CHECKED BY: DRAWN BY: DATE: 11/21/21			DRAFTING AND BRASS & COPPER		DRAWING NO. NAU Psyche	
TITLE: Housing C			SCALE: 1:1		PAGE NO. 4	
MATERIAL: MMGS			QUANTITY: 1		PART NO. 4	

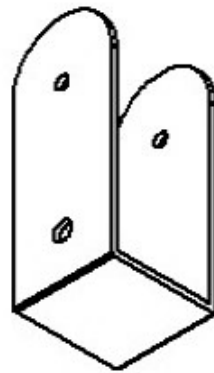
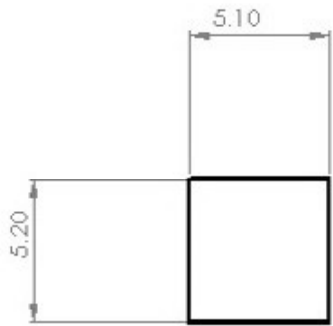
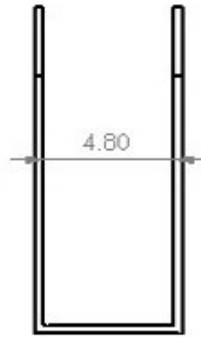
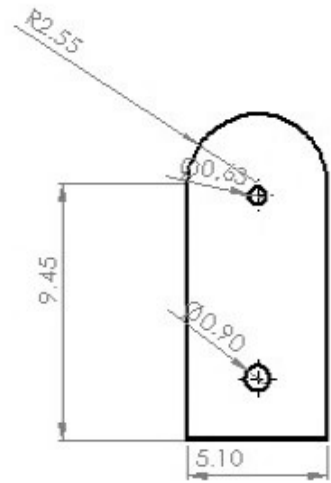


UNLESS OTHERWISE SPECIFIED:		FINISH		DIMENSIONS AND BREAK SHARP EDGES		DO NOT SCALE DRAWING	
DIMENSIONS ARE IN MILLIMETERS						NAU Psychology	
SURFACE FINISH:						Linkage Plate Arms	
TOLERANCES:						DWG NO. 5	
FRACTIONAL							
DECIMAL							
ANGULAR							
DATE	NAME	SCALE	DATE	UNIT	UNIT	SCALE	SHEET NO.
11/11/21	Some Jacob		11/25/21	MMGS			
CHK'D							
APP'D							
MFG							
DWG NO.							



UNLESS OTHERWISE SPECIFIED: DIMENSIONS ARE IN MILLIMETERS SURFACE FINISH TOLERANCES UNLESS ANGULAR			FINISH	OTHER AND LOCAL SHARP EDGES	DO NOT SCALE DRAWING	REVISION 1
					NAU Psyche Team	
					Toe	
NAME	DEPARTMENT	DATE			REV	
Some Jacob		4/25/21				
CHK'D						
APP'D						
MFG						
QA			DATE		DWG NO	
				MMGS	6	A3
			WEIGHT		SCALE	SHEET 1 OF 1

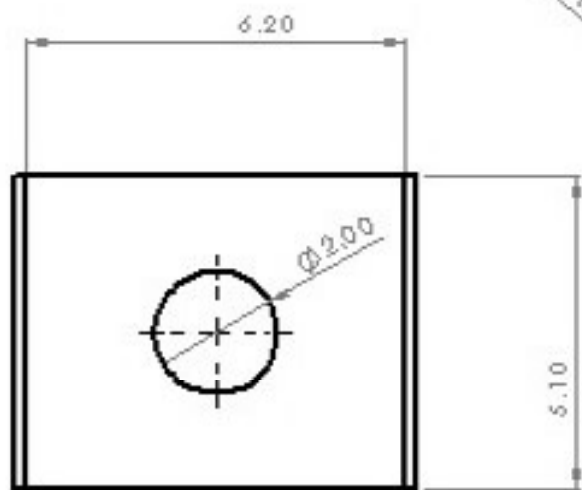
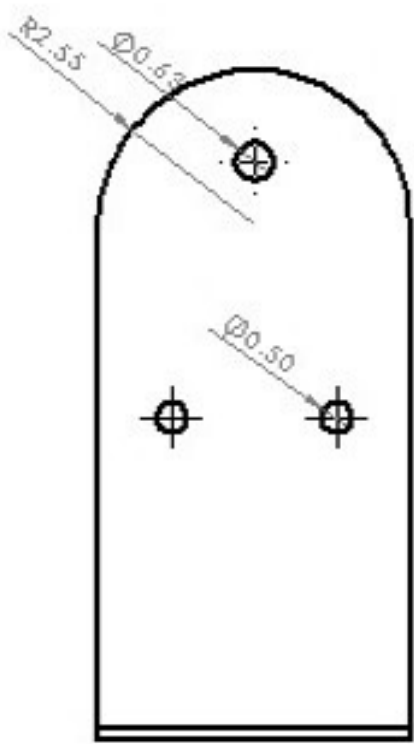
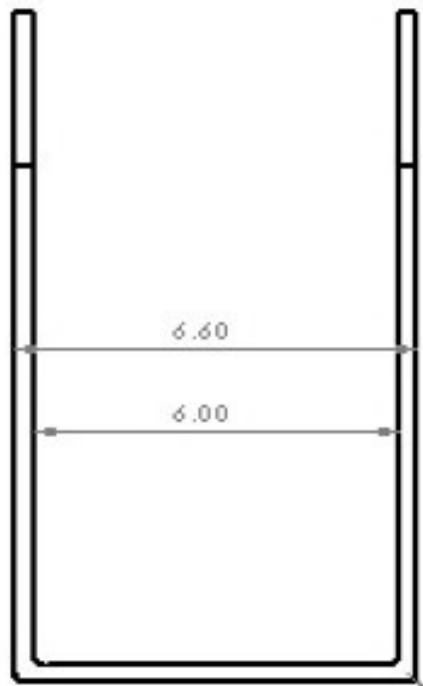




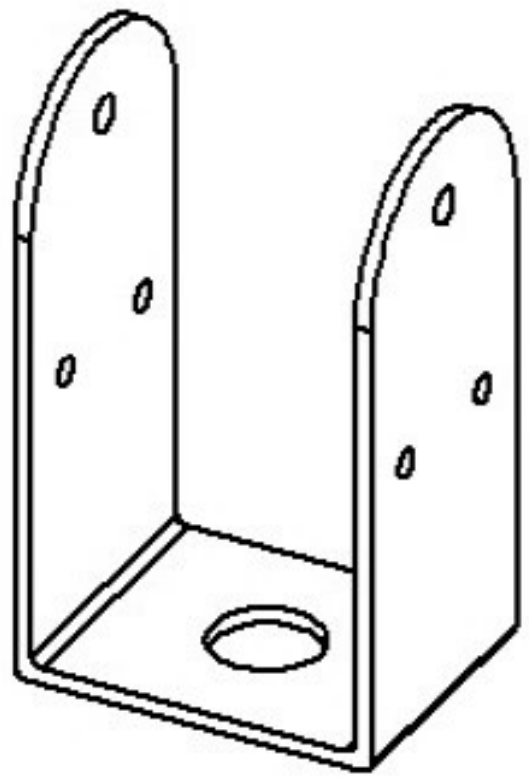
UNLESS OTHERWISE SPECIFIED: DIMENSIONS ARE IN MILLIMETERS SURFACE FINISH: FOR FINISHES: 1-16-18-20-22-24-26-28-30-32-34-36-38-40-42-44-46-48-50-52-54-56-58-60-62-64-66-68-70-72-74-76-78-80-82-84-86-88-90-92-94-96-98-100			FINISH		DITTO AND OTHER SHARP EDGES		DO NOT SCALE DRAWING		REVISED	
PART			SIGNATURE		DATE		MTC			
CHKD										
APP'D										
MFG										
QA										
					MATERIAL		DWG NO		A3	
							SCALES		SHEET 1 OF 1	

Motor Bracket

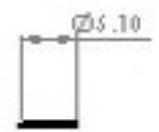
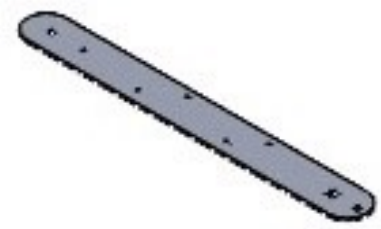
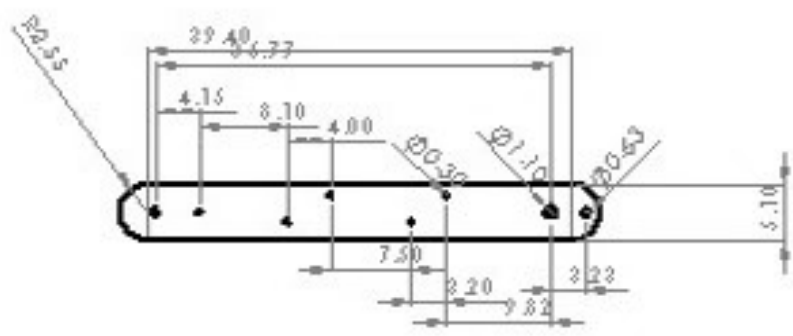
A3



R0.20

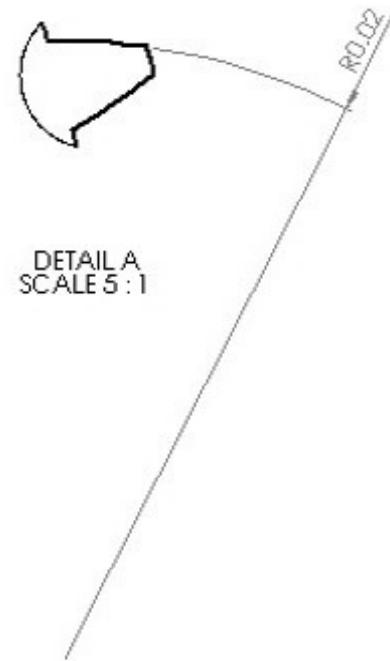
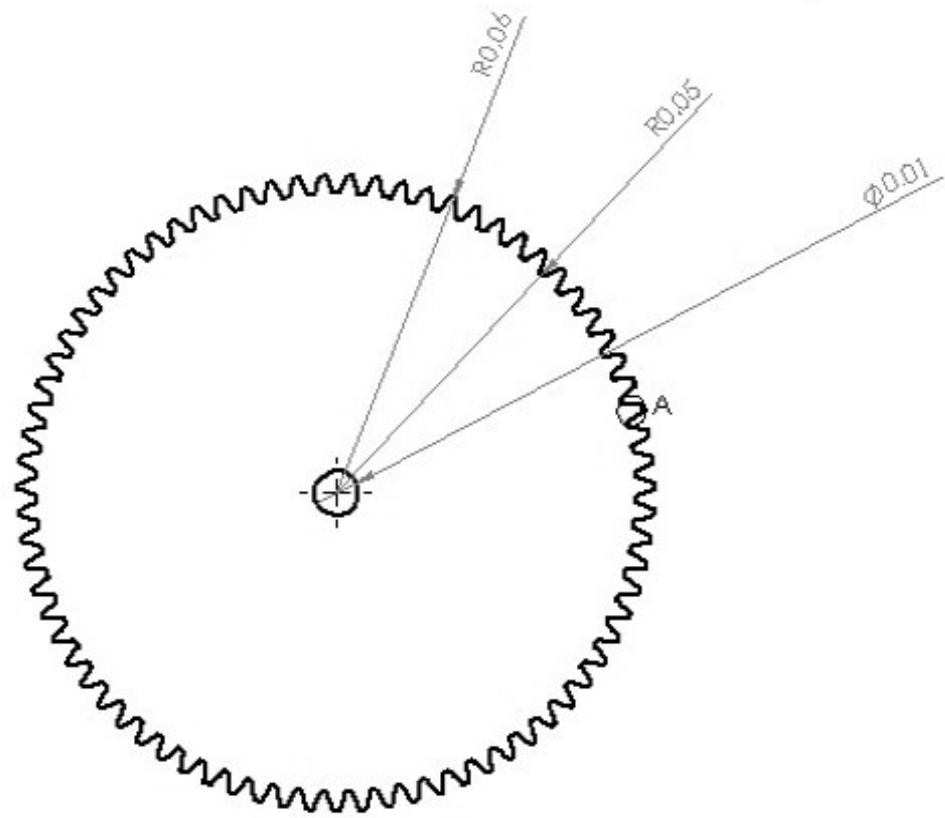


NAME	DATE	DESCRIPTION	REVISION	DATE	DESCRIPTION



REVISIONS		DATE	BY	DESCRIPTION
1				
2				
3				
4				
5				
6				
7				
8				
9				
10				

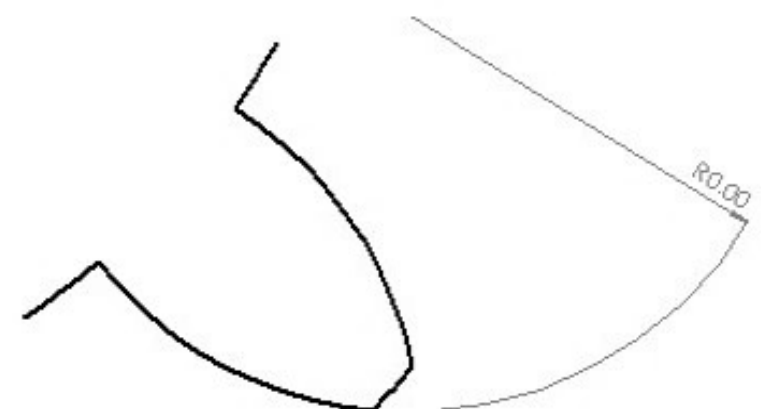
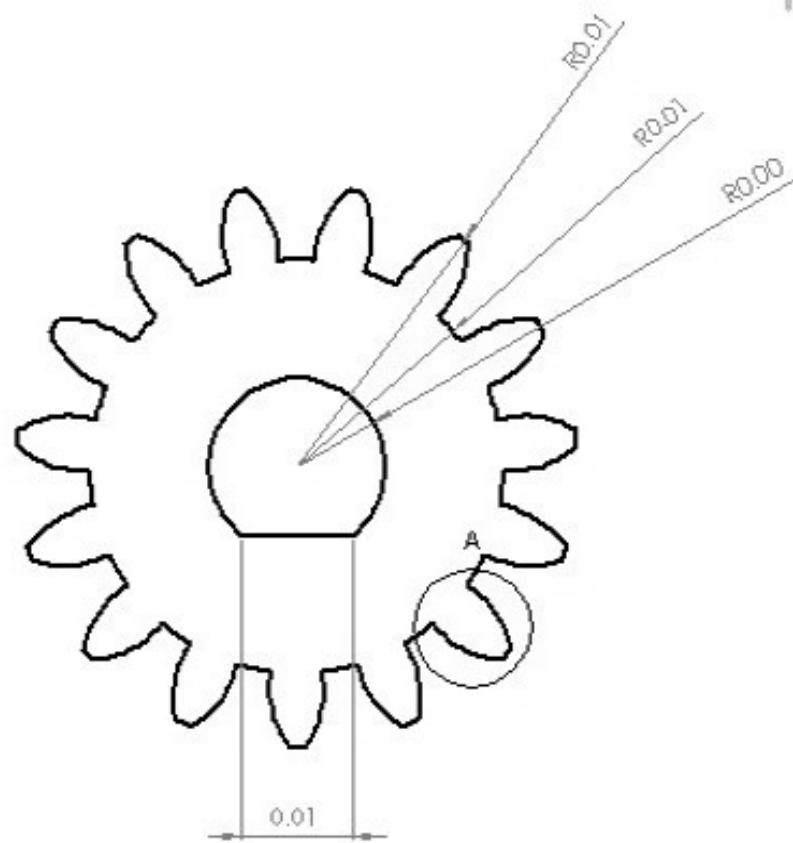
Leg Segment Revised S&S



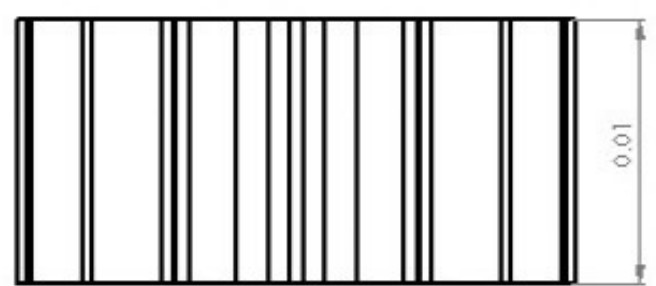
SHIP COMPANY'S OFFICE DRAWING NO. 12345 DRAWING TITLE DRAWING SCALE DRAWING DATE		DESIGNED DRAWN CHECKED APPROVED	DATE TIME	SHEET NO. TOTAL SHEETS	PROJECT NO. PROJECT NAME	DRAWING NO. DRAWING TITLE DRAWING SCALE	SHEET NO. TOTAL SHEETS
NAME POSITION DEPARTMENT	NAME POSITION DEPARTMENT	NAME POSITION DEPARTMENT	NAME POSITION DEPARTMENT	NAME POSITION DEPARTMENT	NAME POSITION DEPARTMENT	NAME POSITION DEPARTMENT	NAME POSITION DEPARTMENT

Large Gear

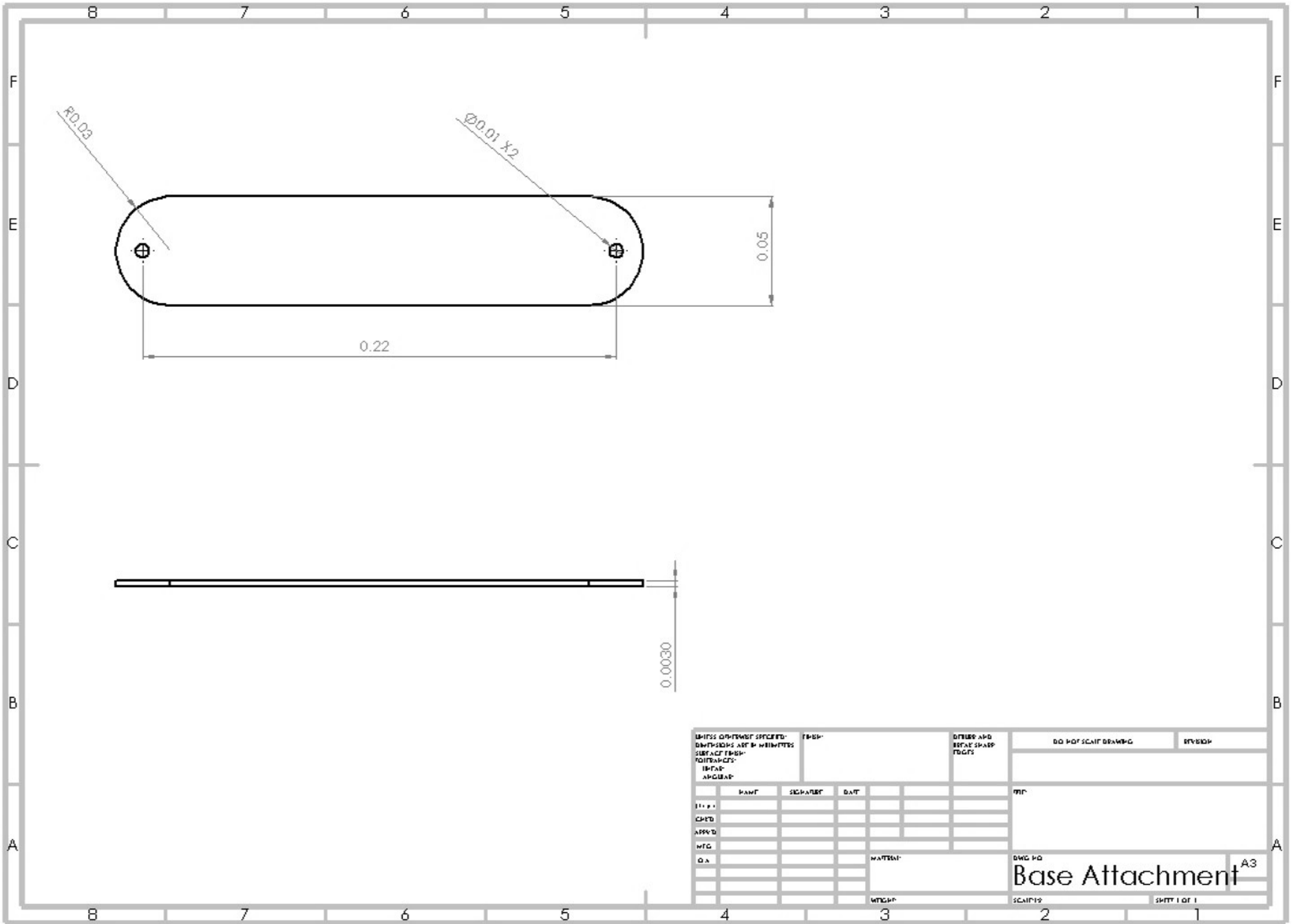
A3



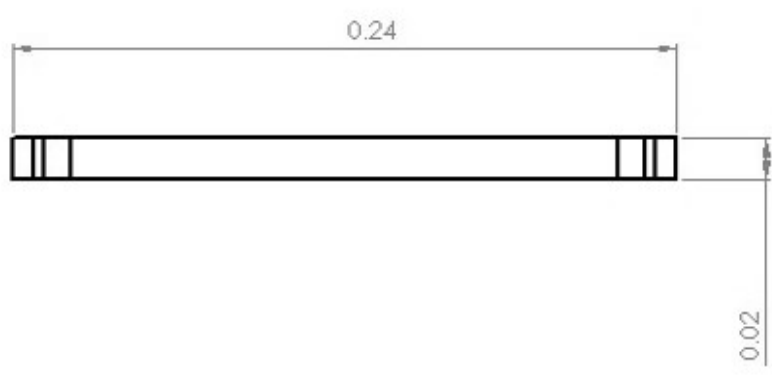
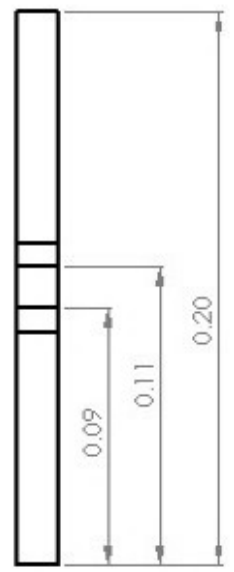
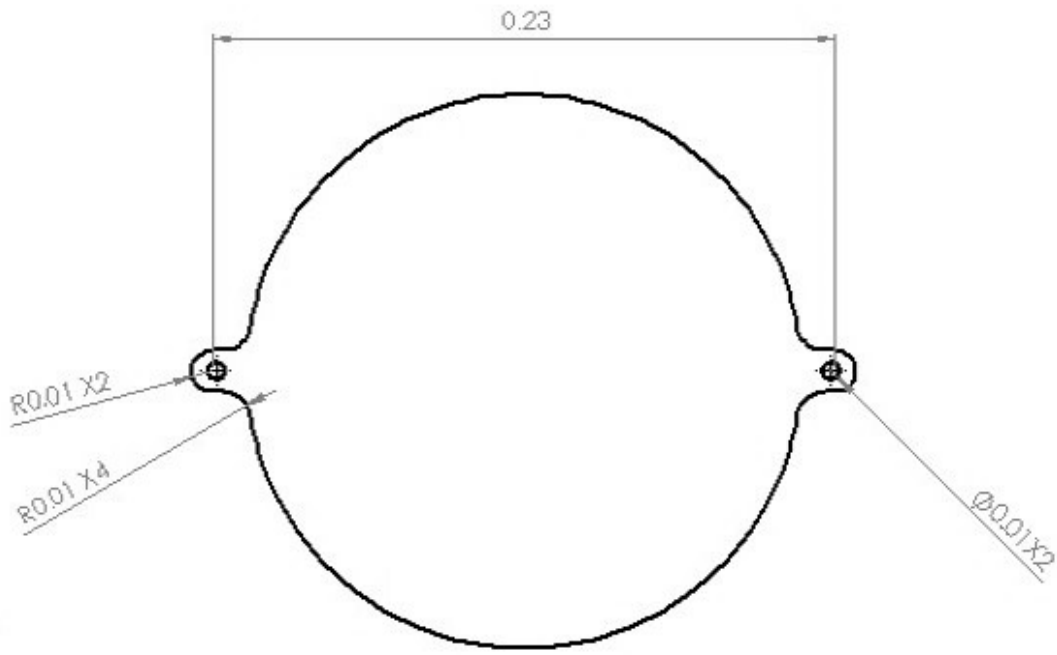
DETAIL A
SCALE 16:1



DESIGNED BY: J. D. HARRIS DRAWING NO.: 101-1 DATE: 10/1/01 SCALE: 16:1	NAME: J. D. HARRIS TITLE: DESIGNER	CHECKED AND DATE: 10/1/01 TITLE: DESIGNER	DO NOT SCALE DRAWING	SHEET NO.
DATE: 10/1/01 TIME: 10:00 AM LOCATION:	DATE: 10/1/01 TIME: 10:00 AM LOCATION:	DATE: 10/1/01 TIME: 10:00 AM LOCATION:	DATE: 10/1/01 TIME: 10:00 AM LOCATION:	DATE: 10/1/01 TIME: 10:00 AM LOCATION:
Small Gear			Scale: 16:1	Sheet: A3



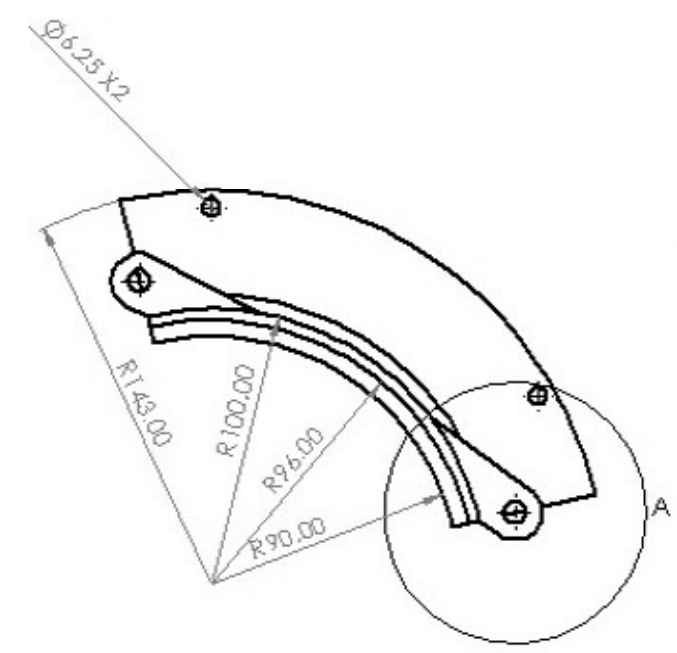
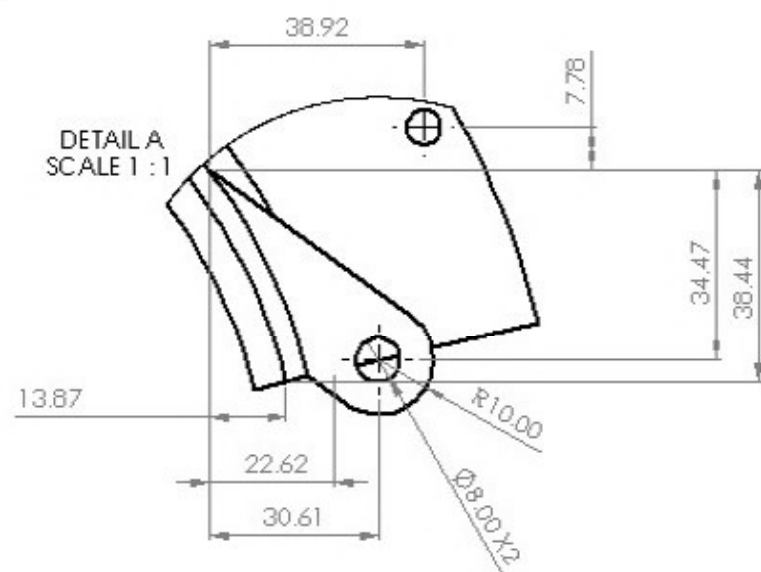
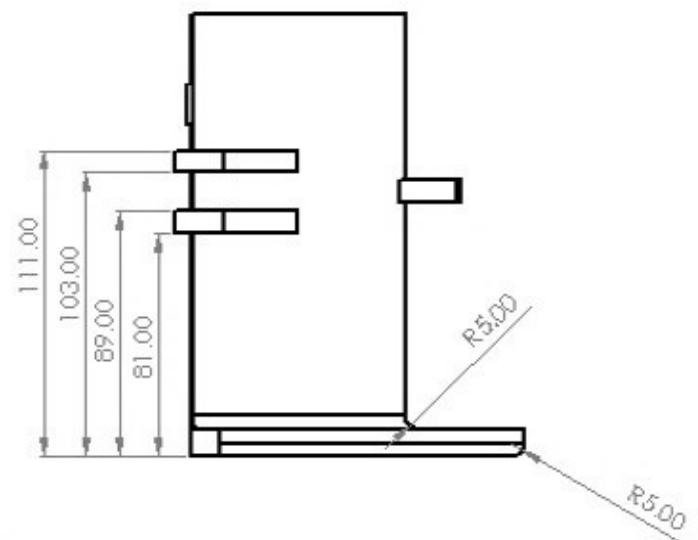
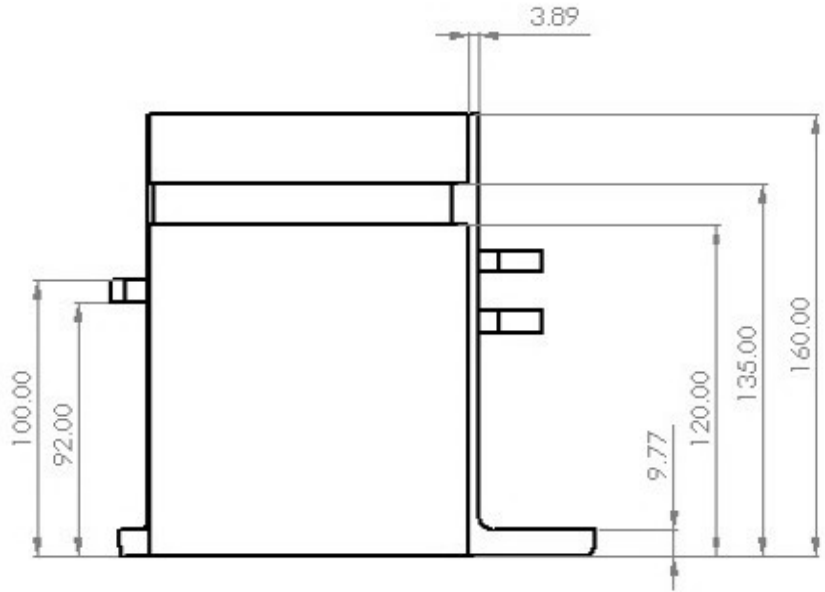
UNLESS OTHERWISE SPECIFIED: DIMENSIONS ARE IN MILLIMETERS SURFACE FINISH: TOLERANCES: HORIZONTAL: VERTICAL:				FINISH:		OTHER AND OTHER SHARP EDGES:		DO NOT SCALE DRAWING	DIVISION
DATE	BY	CHECKED	DATE	DATE					
DESIGNED									
DRAWN									
CHECKED									
DATE									
				MATERIAL:		DWG NO		Base Attachment ^{A3}	
				WEIGHT:		SCALE:		SHEET 1 OF 1	



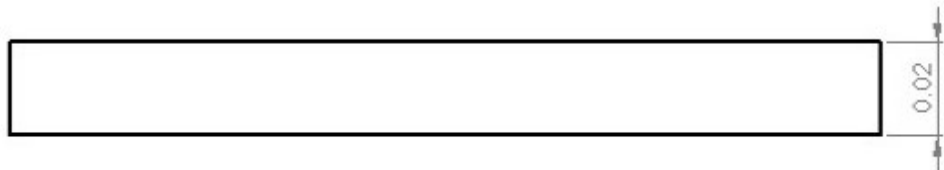
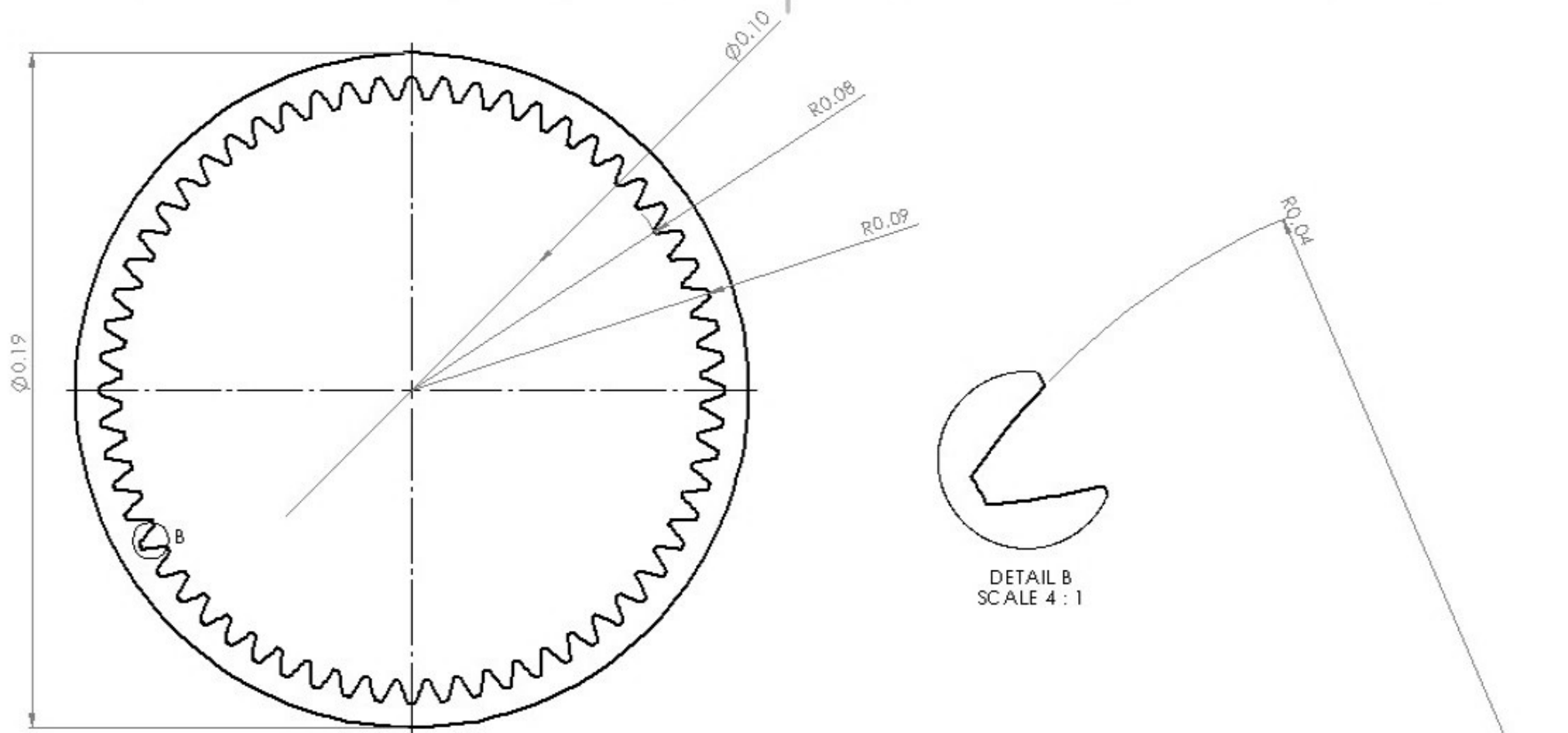
UNITS OR TOLERANCES SPECIFIED:	FINISH:	OTHER AND	DO NOT SCALE DRAWING	REVISION
DIMENSIONS ARE IN MILLIMETERS		EDGE SHARP		
SURFACE FINISH:		EDGES		
TOLERANCES:				
FIT:				
APPROVED:				
DATE:				
DESIGNED:				
DRAWN:				
PART NAME		DRAWING NO.		AC
MATERIAL		SCALE		SHEET 1 OF 1

Base Gear Box Lid



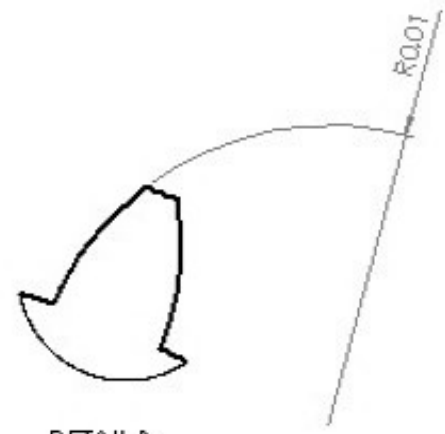
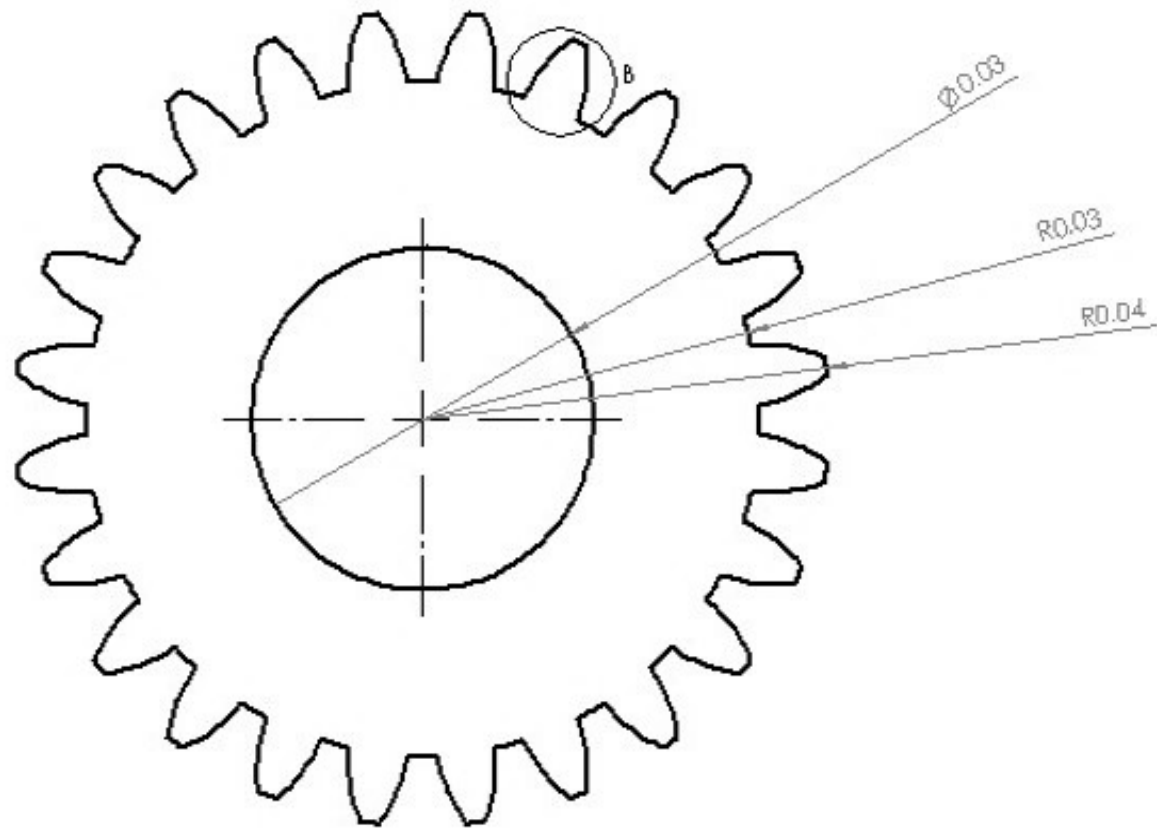


UNITS OF LENGTH SPECIFIED:			FRAMES:		DIMENSIONS AND BEVELS:		DO NOT SCALE DRAWING		REVISED		
DIMENSIONS ARE IN MILLIMETERS											
SURFACE FINISH:											
TOLERANCES:											
FINISH:											
MARKING:											
DATE:	DESIGNER:	DRAWN:									
TYPE:	CHKD:	APP'D:									
MFG:											
D.A.					MATERIAL:		DWG NO:		AS		
								Base Module			
				WEIGHT:				SCALE:		SHEET 1 OF 1	

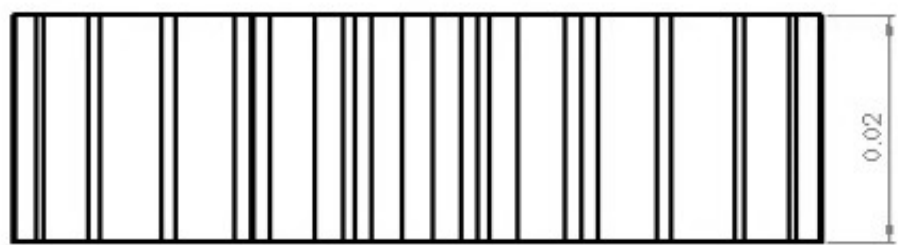


DIMENSIONS UNLESS SPECIFIED DIMENSIONS ARE IN MILLIMETERS SURFACE FINISH FINISHES UNLESS SPECIFIED			FINISH			DETAILS AND BREAK SHARP EDGES			DO NOT SCALE DRAWING		REVISION		
NAME			SIGNATURE			DATE			DRG NO			SHEET 1 OF 1	
DESIGNED			CHECKED			APPROVED			MATERIAL			DWG NO	
Q.A			WTR			DATE			SCALING			SHEET 1 OF 1	

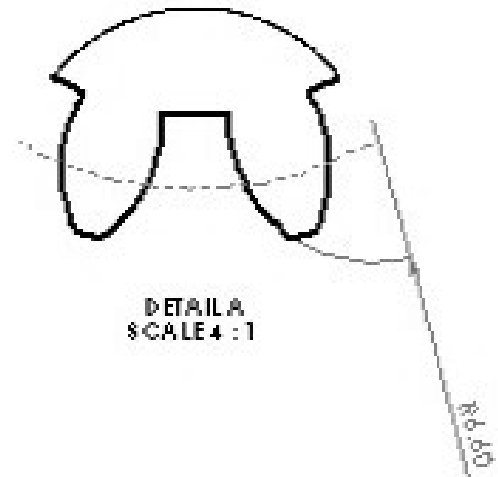
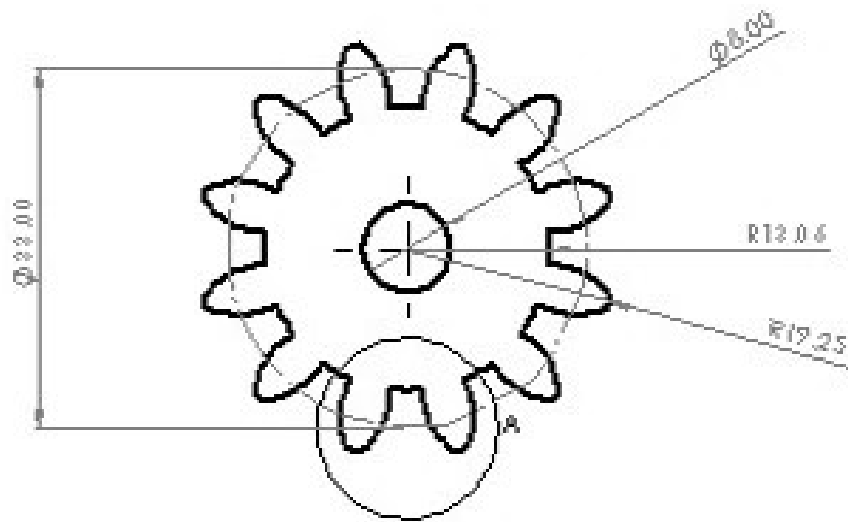
Ring Gear



DETAIL B
SCALE 4:1



APPROVED BY		DATE		DRAWN AND CHECKED		DATE	
DESIGNED BY		DESIGNED		DRAWN AND CHECKED		DATE	
DRAWN BY		DRAWN					
CHECKED BY		CHECKED					
APPROVED BY		APPROVED					
DATE		DATE					
				PART NO.		PART NO.	
				Planet Gear		Planet Gear	



REVISIONS			APPROVED		DATE	
NO.	DESCRIPTION	DATE	BY	DATE	BY	DATE

Sun Gear