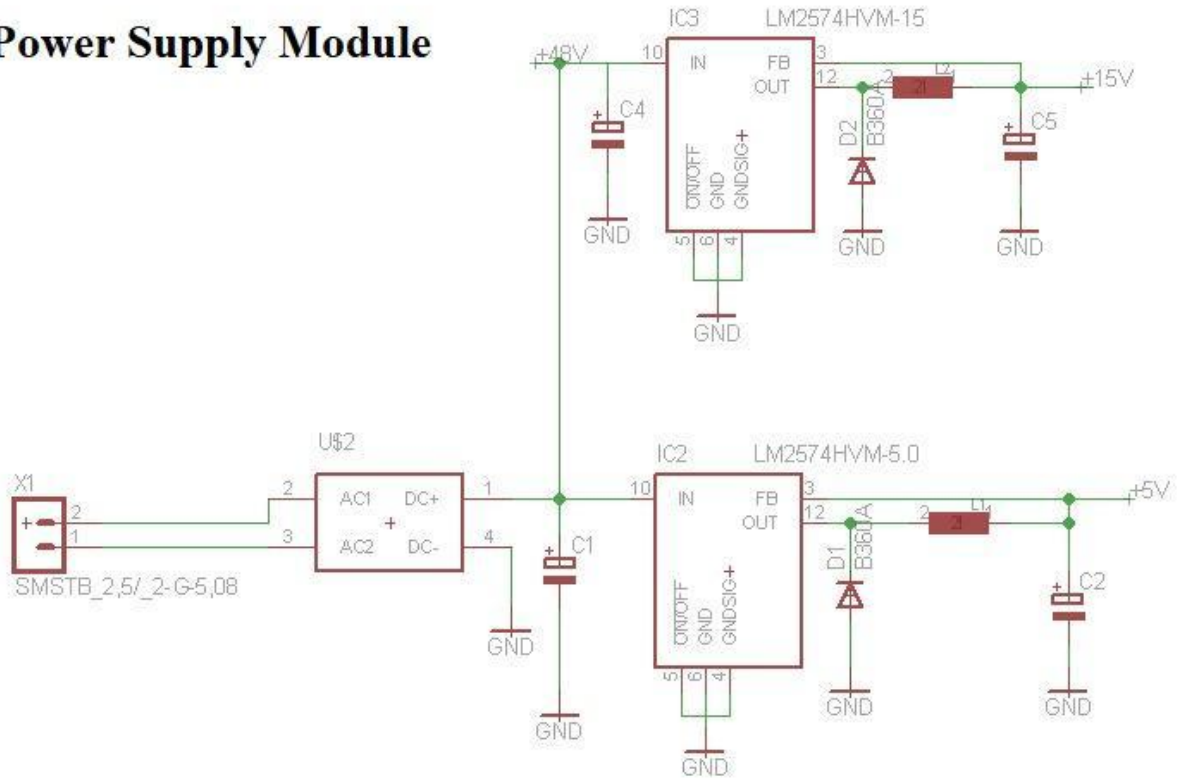
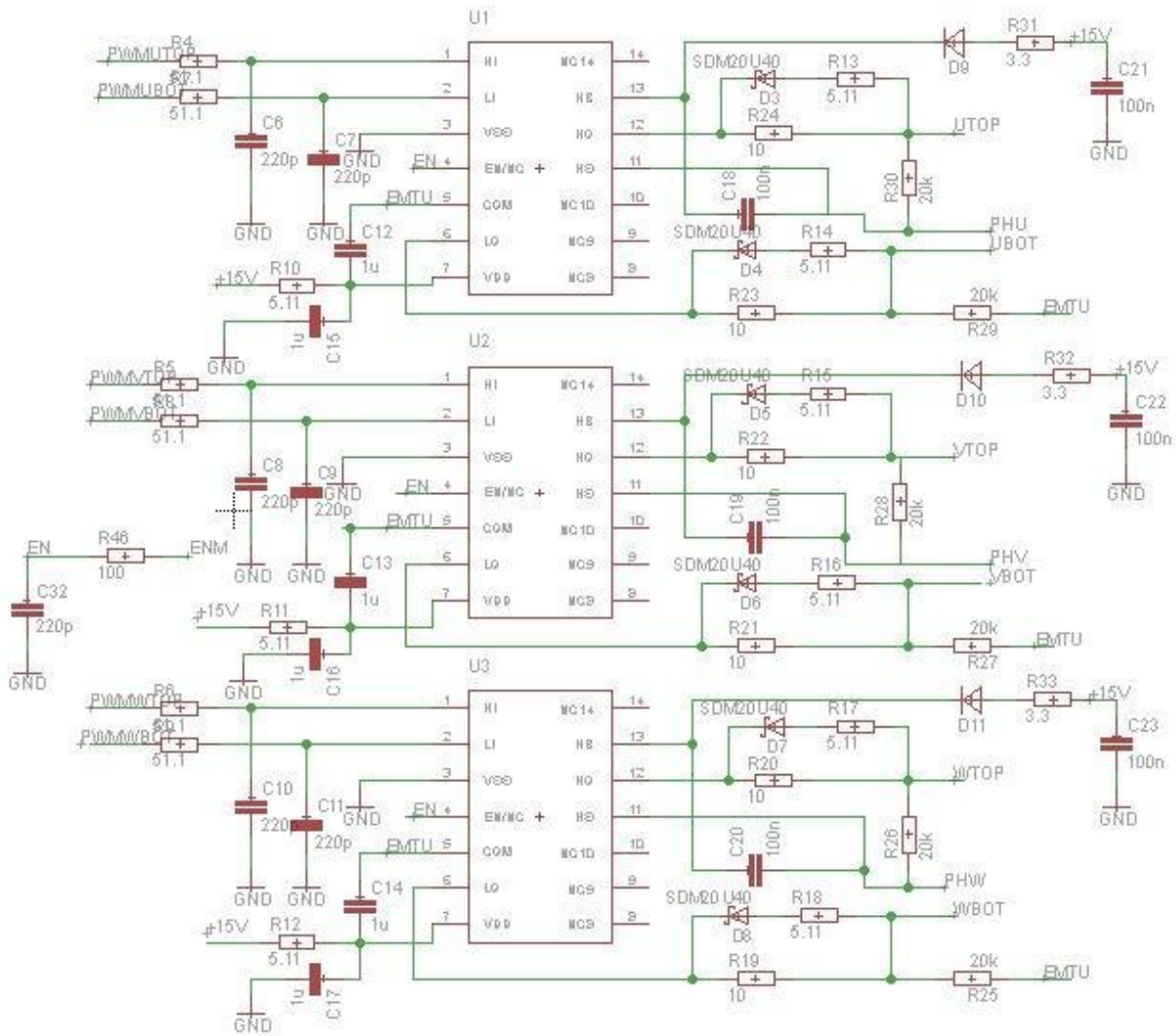


PCB Schematic

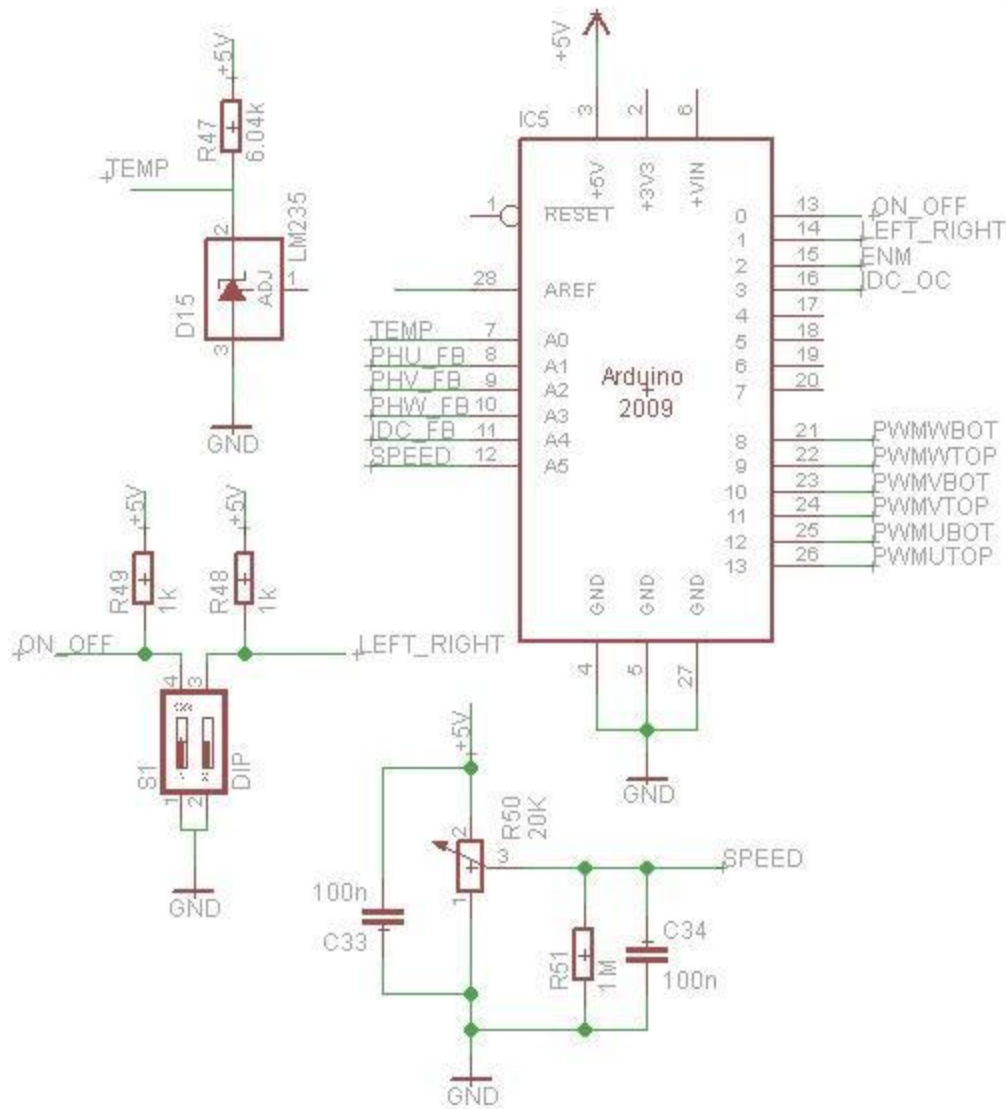
Power Supply Module



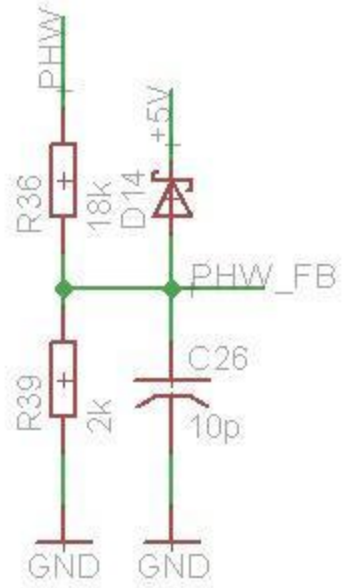
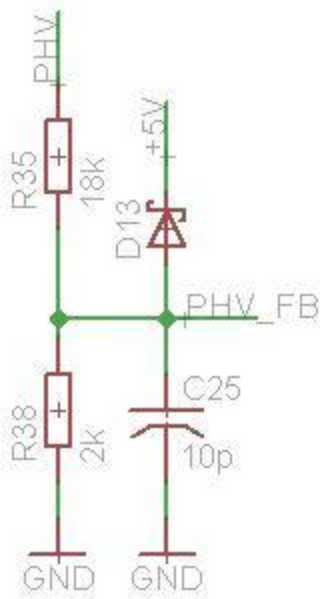
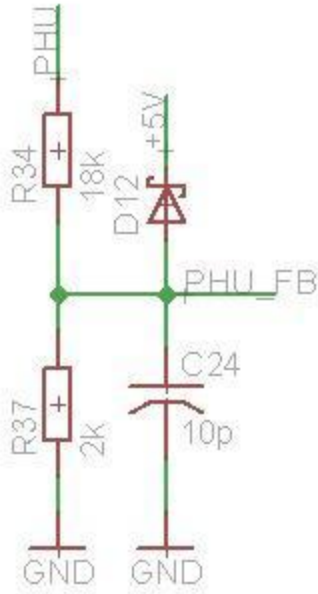
Driver Module



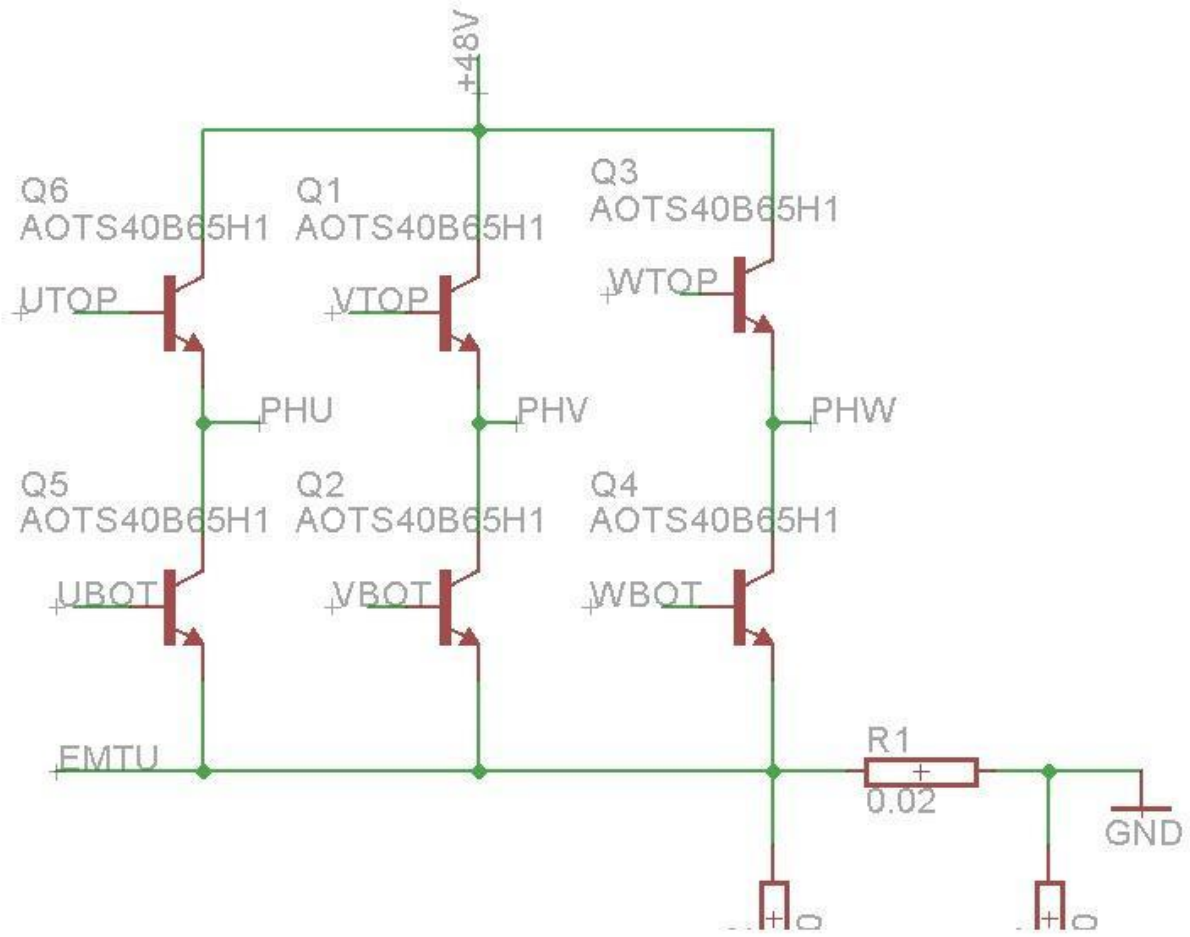
Arduino/Speed Control/Temp Sensor/ON-OFF/Direction



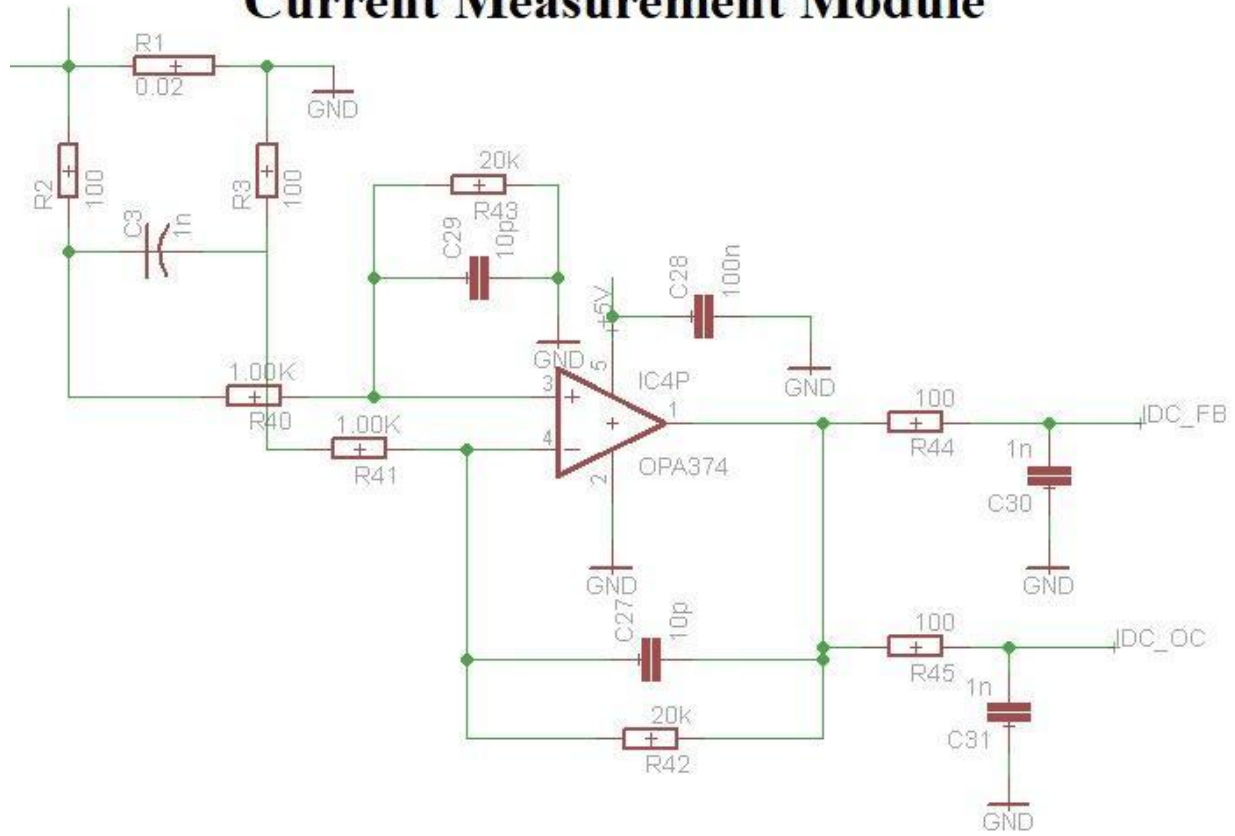
Inductors Voltage Feedback measurement



Transistors Module



Current Measurement Module



Brd

