

4 3 2 1

F

F

E

E

D

D

C

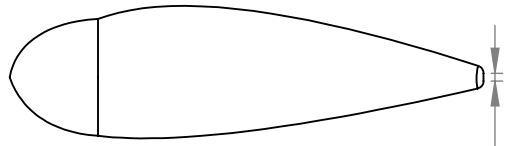
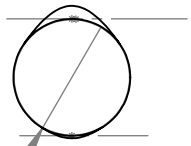
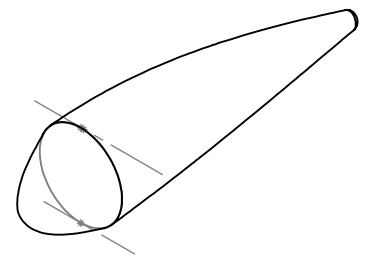
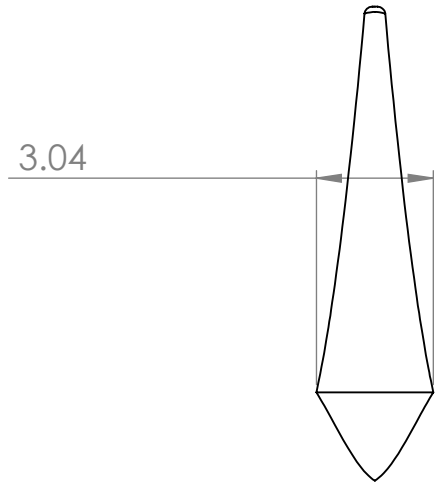
C

B

B

A

A



UNLESS OTHERWISE SPECIFIED:  
 DIMENSIONS ARE IN MILLIMETERS  
 SURFACE FINISH:  
 TOLERANCES:  
 LINEAR:  
 ANGULAR:

FINISH:

DEBURR AND  
 BREAK SHARP  
 EDGES

DO NOT SCALE DRAWING

REVISION

	NAME	SIGNATURE	DATE
DRAWN			
CHK'D			
APPV'D			
MFG			
Q.A			

TITLE:  
**Fairing design 2**

DWG NO.  
**Anuththara Alujjage**

SCALE:1:5

SHEET 1 OF 2

A4

MATERIAL:

WEIGHT:

4 3 2 1

4 3 2 1

F

F

E

E

D

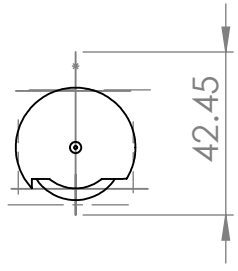
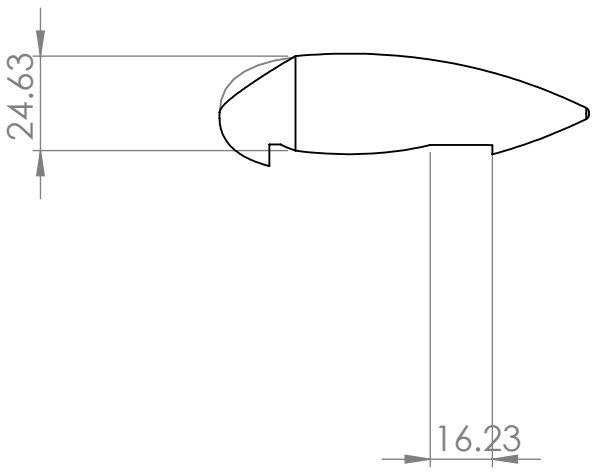
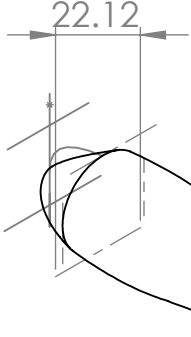
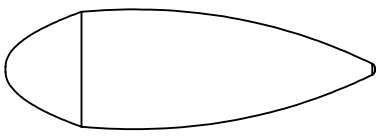
D

C

C

B

B



UNLESS OTHERWISE SPECIFIED:  
DIMENSIONS ARE IN MILLIMETERS  
SURFACE FINISH:  
TOLERANCES:  
LINEAR:  
ANGULAR:

FINISH:

DEBURR AND  
BREAK SHARP  
EDGES

DO NOT SCALE DRAWING

REVISION

	NAME	SIGNATURE	DATE
DRAWN			
CHK'D			
APPV'D			
MFG			
Q.A			

TITLE:  
**Fairing design 1**

DWG NO.  
**Anuththara Alujjage**

SCALE: 1:50

SHEET 2 OF 2

MATERIAL:

WEIGHT:

A4

4 3 2 1

A

A