

E-Baja Conversion Team

19F14

Hardware Review

Shamlan Albahar

Fahad Alhowaidi

LeAlan Kinlecheenie

Andres Parra

Drew Stringer

2019-2020



Faculty Advisor: David Willy

Instructor: Dr. Sarah Oman



Figure 1. Brake Pedal waiting to be mounted



Figure 2. Brake Master Cylinder waiting to be mouted

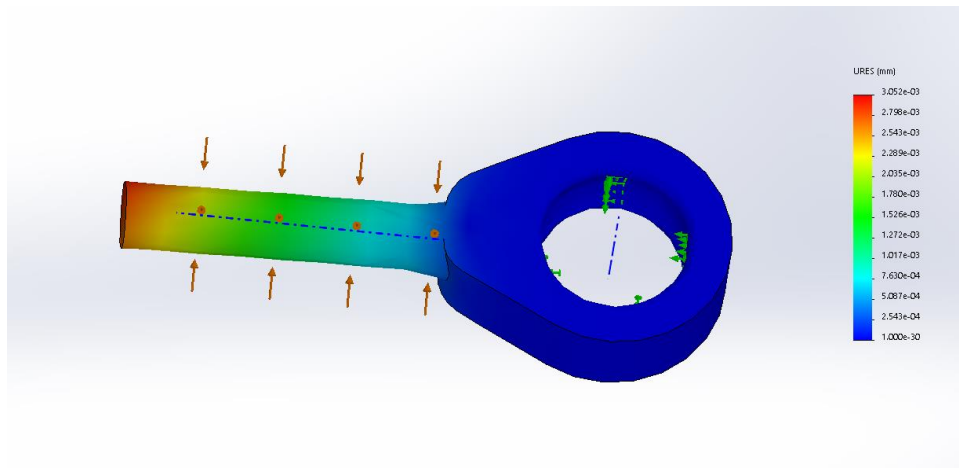


Figure 3. Front Heim Joints Displacement FEA

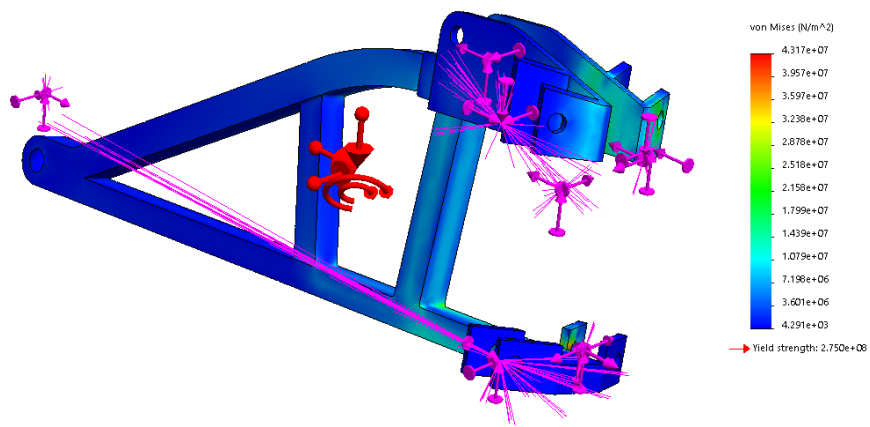


Figure 4. Trailing Arm Von Misses FEA

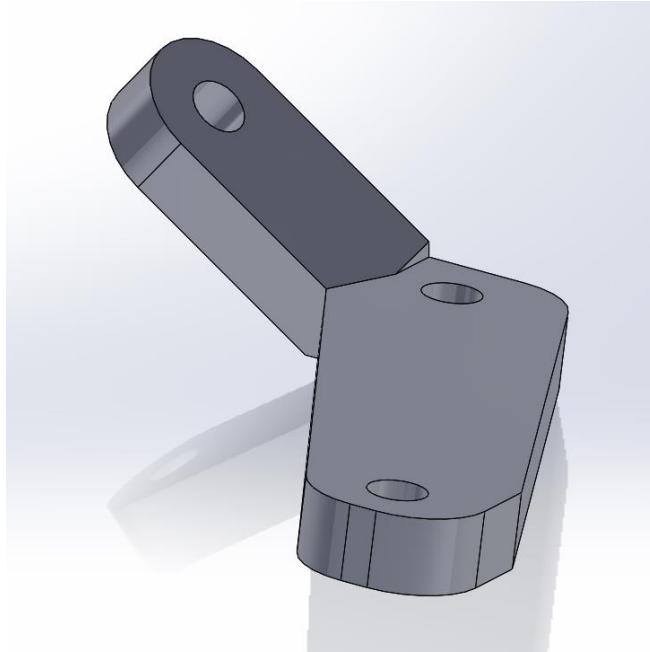


Figure 5. Front Hub Attachment

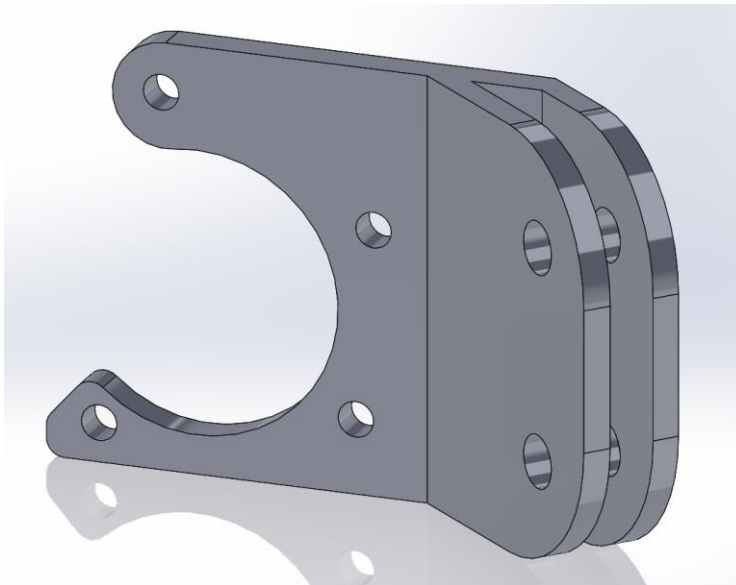


Figure 6. Rear Hub Attachment

