

6

5

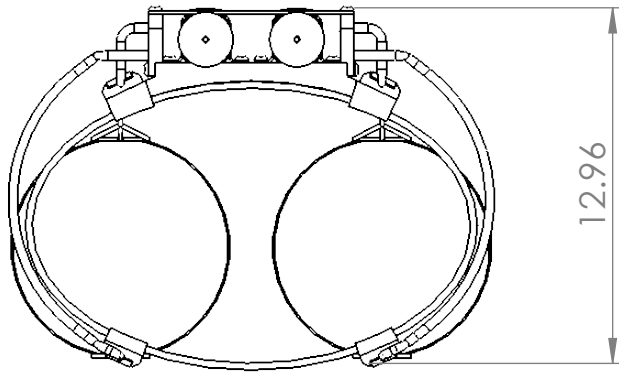
4

3

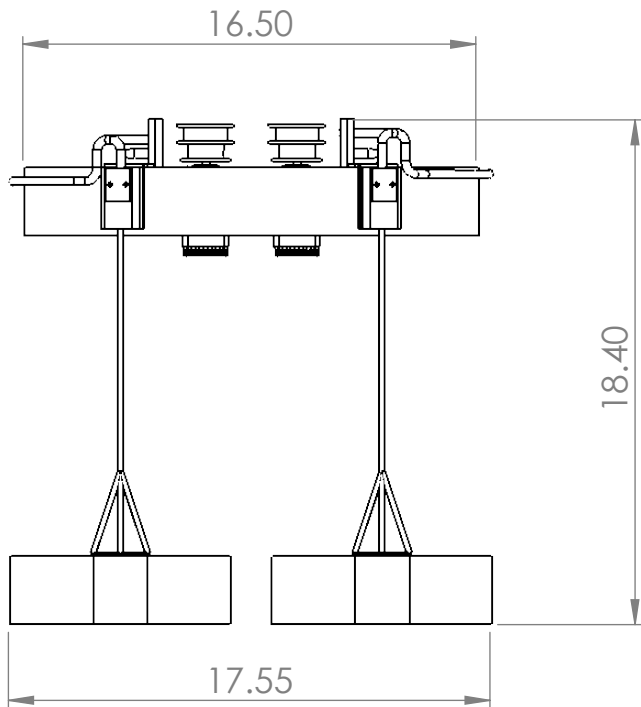
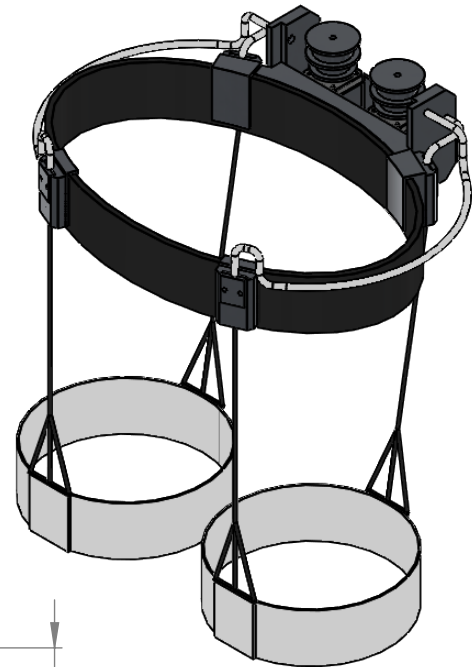
2

1

NOTE: ALL DIMENSIONS ARE IN INCHES



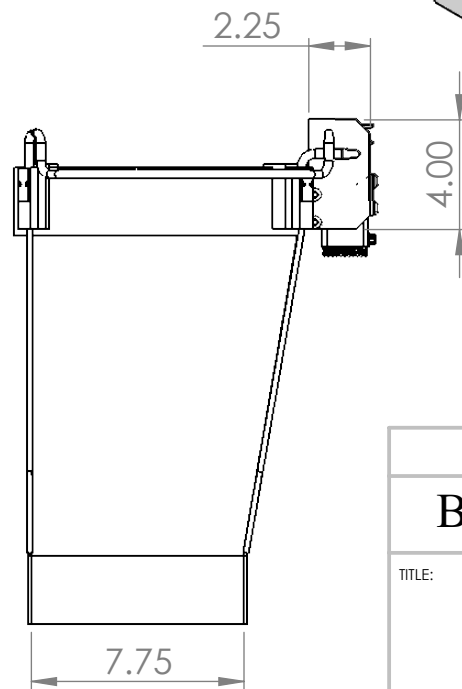
12.96



16.50

18.40

17.55



2.25

4.00

7.75

DO NOT SCALE DRAWING		REVISION	1
BHET CAPSTONE TEAM			
TITLE: FULL ASSEMBLY			
MATERIAL:	DWG NO.		A4
N/A	1		
SCALE:1:7		SHEET 2 OF 2	

D

D

C

C

B

B

A

A

6

5

4

3

2

1