

4

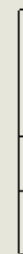
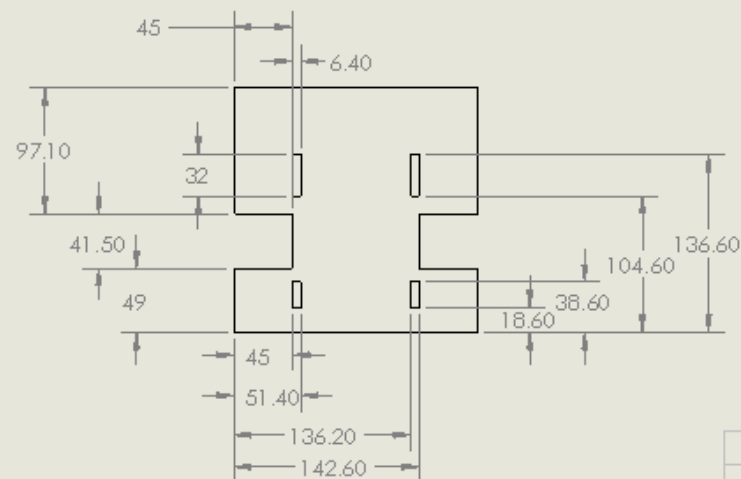
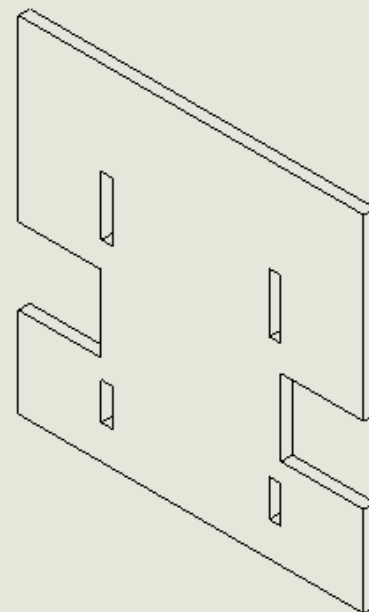
3

2

1

B

A



PROPRIETARY AND CONFIDENTIAL
 THE INFORMATION CONTAINED IN THIS
 DRAWING IS THE SOLE PROPERTY OF
 CSEST COMPANY LIMITED. ANY
 REPRODUCTION IN PART OR AS A WHOLE
 WITHOUT THE WRITTEN PERMISSION OF
 CSEST COMPANY LIMITED IS
 PROHIBITED.

UNLESS OTHERWISE SPECIFIED:		NAME	DATE	TITLE:	
DIMENSIONS ARE IN MILLIMETERS	FRAC TIONS	DESIGN			
DECIMALS	PLACES	CHECKED			
ANGULAR MEASUREMENTS	DEGREES	PREPARED			
ANGLE MEASUREMENTS	MINUTES	APPROVED			
ANGLE MEASUREMENTS	SECONDS	DATE		REV	
UNIT SYSTEM	CONVERSION	COMMENTS:		SIZE DWG. NO.	
UNIT SYSTEM	CONVERSION			Bombatbottom	
UNIT SYSTEM	CONVERSION			SCALE: 1:2 WEIGHT:	
UNIT SYSTEM	CONVERSION			SHEET 1 OF 1	
APPLICATION	BOILER ROOM DRAWING				

4

3

2

1

4

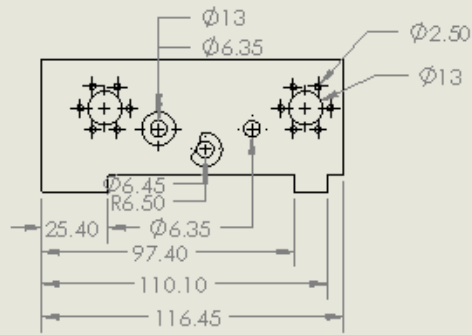
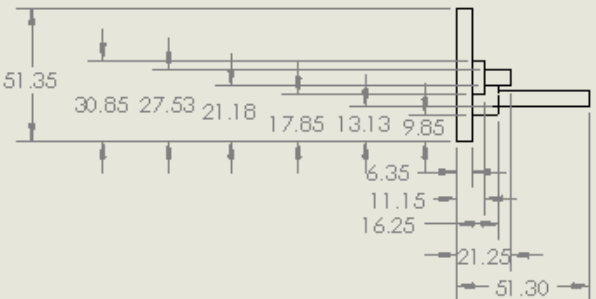
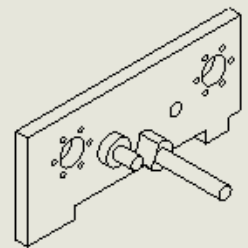
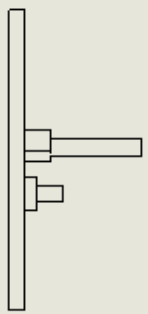
3

2

1

B

B



A

A

PROPRIETARY AND CONFIDENTIAL
 THE INFORMATION CONTAINED IN THIS
 DRAWING IS THE SOLE PROPERTY OF
 JENSEN COMPANY LIMITED. ANY
 REPRODUCTION IN PART OR AS A WHOLE
 WITHOUT THE WRITTEN PERMISSION OF
 JENSEN COMPANY LIMITED IS
 PROHIBITED.

		UNLESS OTHERWISE SPECIFIED:			
		DIMENSIONS ARE IN MILLIMETERS	DRAWN		
		FRACTIONS	CHECKED		
		ANGULAR DIMENSIONS IN DEGREES	ENG APPR		
		TWO PLACE DECIMALS	MFG APPR		
		THREE PLACE DECIMALS	QA		
		DIMENSIONS GOVERN FOR FABRICATING PARTS	COMMENTS:		
		MATERIAL			
		FINISH			
NEXT ASSY	ASSEMBLY				
		APPLICATION			

TITLE:		
SIZE	DWG. NO.	REV
B combatribs		
SCALE: 1:2	WEIGHT:	SHEET 1 OF 1

4

3

2

1

4

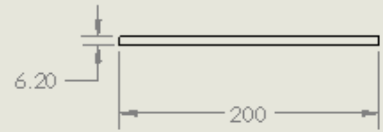
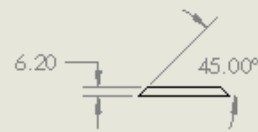
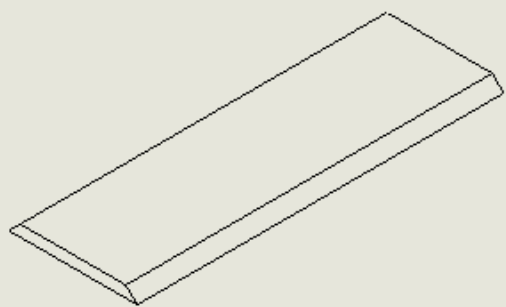
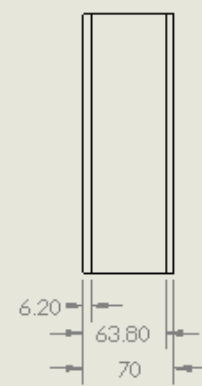
3

2

1

B

B



A

A

4

3

2

1

PROPRIETARY AND CONFIDENTIAL
 THIS DRAWING CONTAINED IN THIS
 DRAWING IS THE SOLE PROPERTY OF
 CRYSTAL COMPANY LIMITED. ANY
 REPRODUCTION IN PART OR AS A WHOLE
 WITHOUT THE WRITTEN PERMISSION OF
 CRYSTAL COMPANY LIMITED IS
 PROHIBITED.

		UNLESS OTHERWISE SPECIFIED:		NAME	DATE
		DIMENSIONS ARE IN MILLIMETERS	DRAWN		
		DECIMALS	CHECKED		
		ANGULAR DIMENSIONS	ENG. APPROV.		
		FRACTIONS	MFG. APPROV.		
		PLACES	Q.A.		
		DIFFERENT GEOMETRIC	CONVENTS		
		CONSTRUCTIONS			
		MATERIAL			
4001A330	451004	FINISH			
APPLICATION		DO NOT SCALE DRAWING			

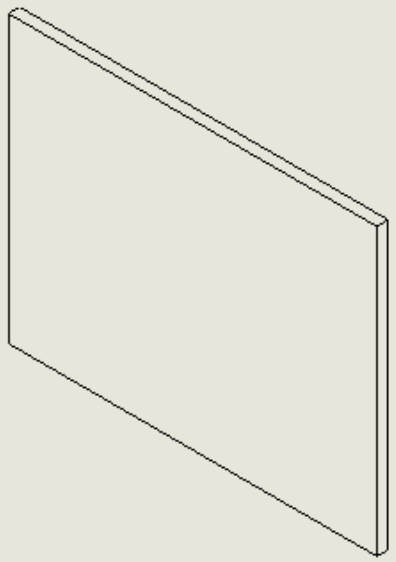
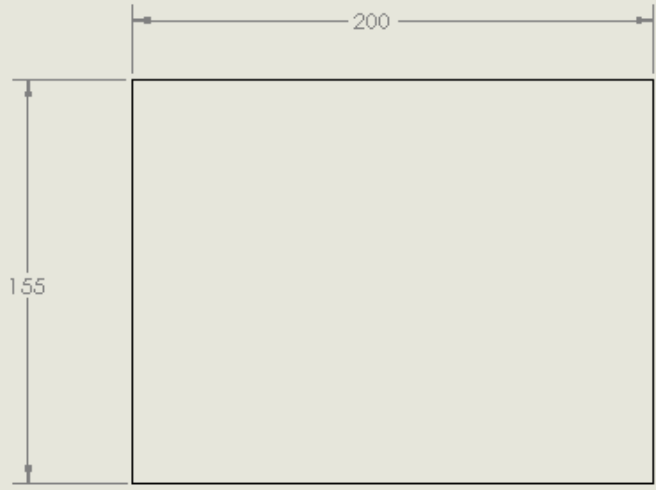
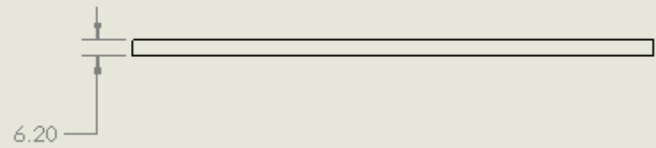
TITLE:		
SIZE	DWG. NO.	REV
Bombatscraper		
SCALE: 1:2	WEIGHT:	SHEET 1 OF 1

4

3

2

1



B

B

A

A

PROPRIETY AND CONFIDENTIAL
 INFORMATION CONTAINED IN THIS
 DRAWING IS THE SOLE PROPERTY OF
 CREST COMPANY AND HEREBY ANY
 REPRODUCTION IN PART OR AS A WHOLE
 WITHOUT THE WRITTEN PERMISSION OF
 CREST COMPANY AND HEREBY IS
 PROHIBITED

		UNLESS OTHERWISE SPECIFIED:		PART	DATE			
		DIMENSIONS ARE IN INCHES FRACTIONS:		DESK		TITLE:		
		THIRDS		CHG				
		AND DECIMALS SHALL BE TO THE NEAREST THIRDS		APP				
		DIMENSIONS SHALL BE TO THE NEAREST THIRDS		APP				
		MATERIAL		QTY				
		FINISH		COMMENTS				
4	3	2	1			SIZE	DWG. NO.	REV
APPLICATION		INDICATION DRAWING				B combattop		
						SCALE: 1:2	WEIGHT:	SHEET 1 OF 1

4

3

2

1