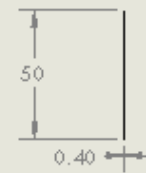
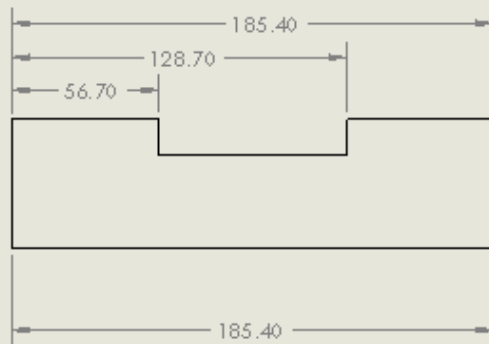
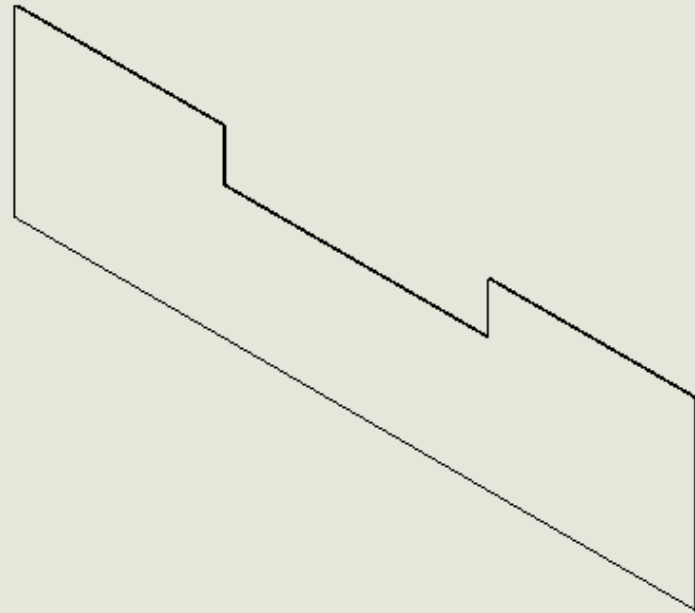
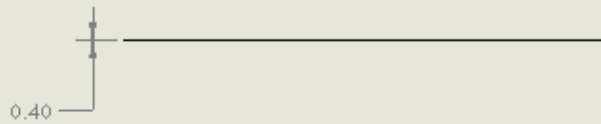


4

3

2

1



PROPRIETARY AND CONFIDENTIAL  
THE INFORMATION CONTAINED IN THIS  
DRAWING IS THE SOLE PROPERTY OF  
CIBEST COMPANY LIMITED. ANY  
REPRODUCTION IN PART OR AS A WHOLE  
WITHOUT THE WRITTEN PERMISSION OF  
CIBEST COMPANY LIMITED IS  
PROHIBITED.

		UNLESS OTHERWISE SPECIFIED:	SCALE	DATE	
		DIMENSIONS ARE IN MILLIMETERS	DRAWN		
		FRAC TIONAL S	CHECKED		TITLE:
		ANGULAR DIMENSIONS IN DEGREES	PROJECT		
		DECIMAL DIMENSIONS TO 0.1	DATE		
		UNLESS OTHERWISE SPECIFIED:	Q.A.		
		MATERIAL	COMMENTS		
		FINISH			
HTG ASSY	USED ON				SEE DWG. NO.
		APPLICATION			<b>B</b> ribcover
					REV
					\$ SCALE: 1:1
					WEIGHT:
					\$ SHEET 1 OF 1

4

3

2

1

B

B

A

A

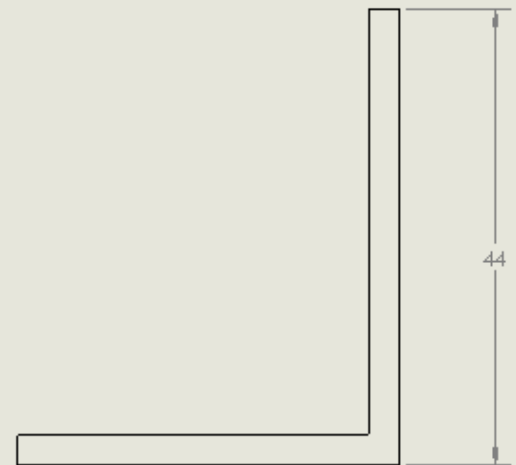
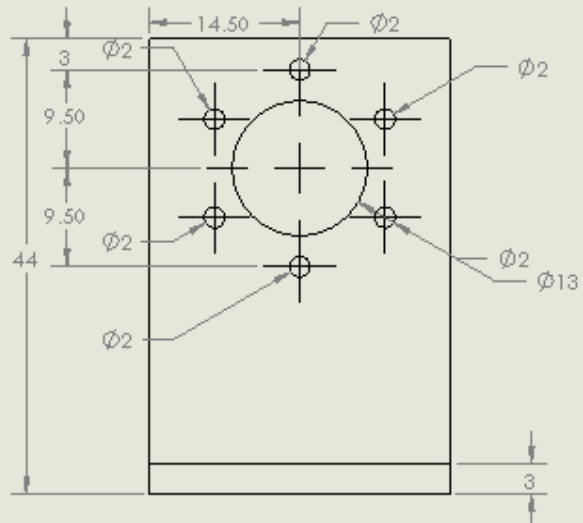
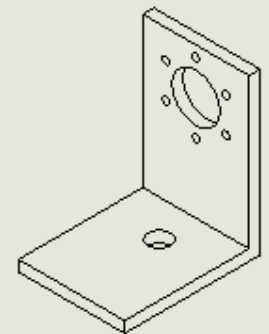
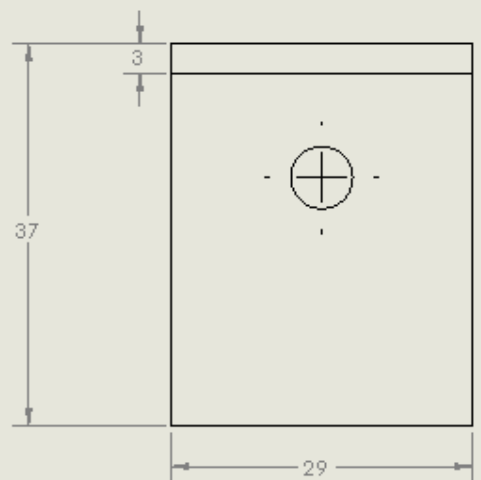


4

3

2

1



B

B

A

A

PROPERTY AND CONFIDENTIAL  
 THE INFORMATION CONTAINED IN THIS  
 DRAWING IS THE SOLE PROPERTY OF  
 CHSSTY COMPANY HANG KONG. ANY  
 REPRODUCTION IN PART OR AS A WHOLE  
 WITHOUT THE WRITTEN PERMISSION OF  
 CHSSTY COMPANY HANG KONG IS  
 PROHIBITED.

		UNLESS OTHERWISE SPECIFIED:	DATE
		DIMENSIONS ARE IN MILLIMETERS	DRAWN
		FRAC TIONS	CHECKED
		ANGULAR DIMENSIONS - 10 MIN. &	ENG. APPR.
		TWO PLACE DECIMALS	MFG. APPR.
		THREE PLACE DECIMALS	Q.A.
		UNLESS OTHERWISE SPECIFIED	COMMENTS
		MATERIAL	
		FINISH	
MTG. ASSY.	USED ON		
	APPLICATION	DO NOT SCALE DRAWING	

TITLE:		
\$ SEE	DWG. NO.	REV
<b>motormount2</b>		
\$ SCALE: 1:1	WEIGHT:	\$ SHEET 1 OF 1

4

3

2

1





4

3

2

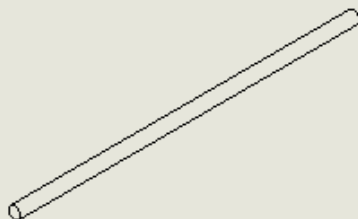
1

B

B

A

A



PROPRIETARY AND CONFIDENTIAL  
 THE INFORMATION CONTAINED IN THIS  
 DRAWING IS THE SOLE PROPERTY OF  
 JENSEN COMPANY LIMITED. ANY  
 REPRODUCTION IN PART OR AS A WHOLE  
 WITHOUT THE WRITTEN PERMISSION OF  
 JENSEN COMPANY LIMITED IS  
 PROHIBITED.

		UNLESS OTHERWISE SPECIFIED:		NAME	DATE			
		DIMENSIONS ARE IN MILLIMETERS		DESIGN		TITLE:		
		FRACTIONS		DRAWING				
		ANGULAR MEASURE		CHECKED				
		TWO PLACE DECIMAL		PROJECT				
		THREE PLACE DECIMAL		WORK				
		INTEREST GEOMETRIC CONSTRUCTIONS		Q.A.				
		MATERIAL		COMMENTS				
CLASS	SECTION	TITLE				SIZE	DWG. NO.	REV
						<b>B</b>	rods	
APPLICATION		INDUSTRIAL DRAWING		SCALE: 1:2		WEIGHT:	SHEET 1 OF 1	

4

3

2

1



