



NORTHERN
ARIZONA
UNIVERSITY



Progress Presentation

Hozhoni Cleaning



Amber Juare Calvin Schnorbus
Fahad Alaenezi Hasan Aldhefeery
Hussain Alwateeb
Team 34

Project Description



- Hozhoni (ho-sho-nee) Foundation company.
- This Company works to help disabled people.
- Client: Ms. Charlene Turman from the Hozhoni Foundation.
- Create a device that can efficiently carry cleaning supplies for those in wheelchairs.

- Device must be storable and be compatible with different wheelchairs.
- Our goal is to create a system that allows wheelchair users to easily and efficiently carry cleaning supplies.
- The solution must be adaptable for different sizes or types of wheelchairs.



What was done over the Winter break?

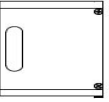
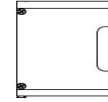
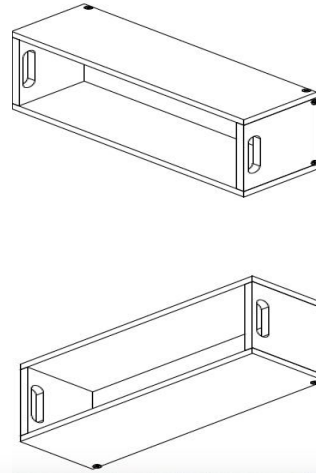
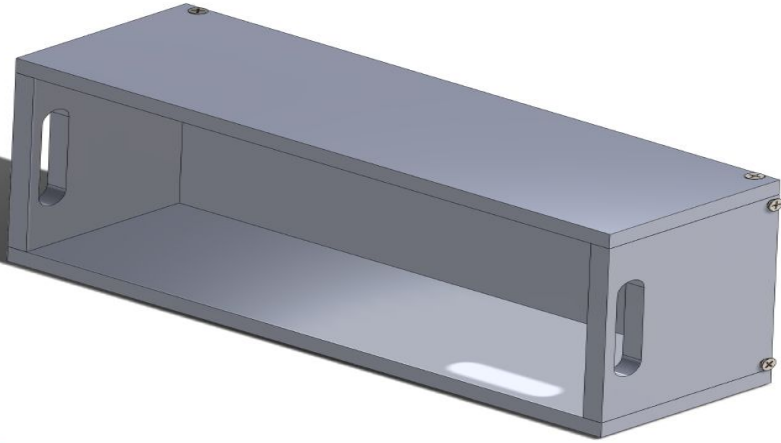


HOZHONI
FOUNDATION, INC.

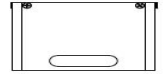
- one meeting during the winter break.
- Worked to improve the prototype by building a new box using a wood glow.
- Making plans to improve the project.



Updates – Original Design

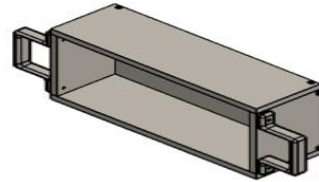
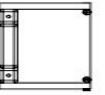
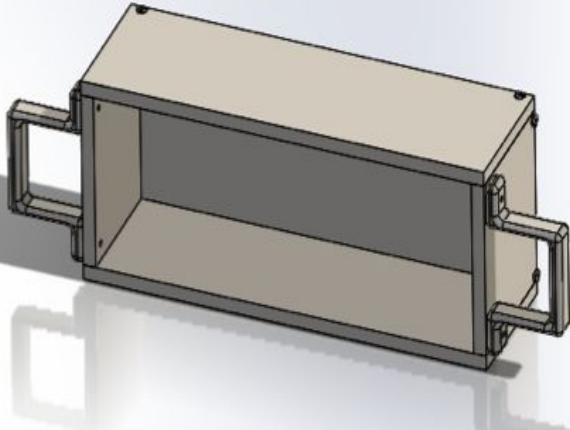


ITEM NO.	PART NUMBER	DESCRIPTION	QTY.
1	Base	This is the base of the table it will be made of wood	1
2	short side with handle	left and right sides with handles	2
3	long side	front and back sides	2
4	PHILIPP 0.25-1.40-12-16-4 PART 13-14	screws to hold the sides with the base	8



- Simple rectangular box with holes on the side for users comfort.
- Velcro system that allows the device to stay securely on lap.
- Used a screws to attach the pieces.

Updates – New Design



Changes

1- Plastic or wood has (water proof).

2- Handles instead of holes.

3- Magnetic instead of Velcro.

4- wood glue instead of screws.

5- Divider.

6- Hooks.

Manufacturing



- Tooling required: Saw(hand or electrical), Clamps, Sewing kit, Straight edge.
 - Materials: 2.5 sq ft of material (wood, plastic, metal), 3 ft of elastic material, 2 ft velcro (sew-on), handles of choice, wood glue.
-
- Cut 3 (16 x 6) in pieces and 2 (6 x 6)in pieces.
 - Glue pieces together, use clamps.
 - Sew on 8 in of velcro to each end of elastic material.
 - Sew on rest of velcro on the top of material and apply to bottom side of box.
 - Attach handles to sides.

Responsibilities

- Calvin- Assembly
- Fahad- Attachments/Accessories
- Hussain- Materials
- Amber & Hasan- Belt











HOZHONI
FOUNDATION, INC.

Budget

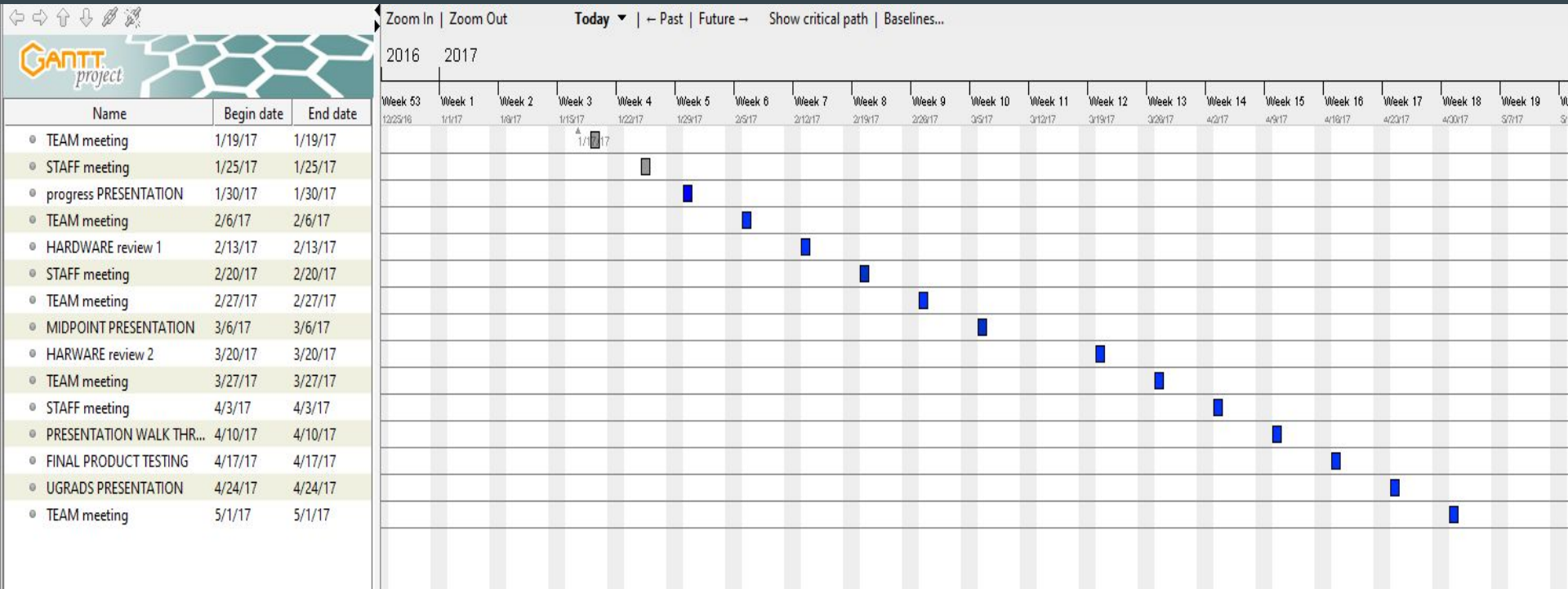
- Total Budget: 1,500\$
- Costs for the Prototype: 77\$
- Resulting Balance: 1,423\$



Budget

Material	Cost	Picture	Material	Cost	Picture
Wood X2	12\$		Velcro	12\$	
Screw X13	6.50\$		Elastic Belt	6\$	
Handle X2	8\$		Divider	6.50\$	
Saw	20\$		Sanding	6\$	

Gantt Chart



Schedule

- According to our Gantt Chart we are on head with Schedule.

Questions:

