

❖ Hozhoni Cleaning Crew

❖ Final Proposal

➤ **Group 34:**

- Fahad Alaenezi (Web Designer)
- Amber Juare (Secretary/ Document manager)
- Calvin Schnorbus (Client Contact)
- Hussain Alwateeb (Budget Liaison)
- Hasan Aldhefeery (Project Manager)

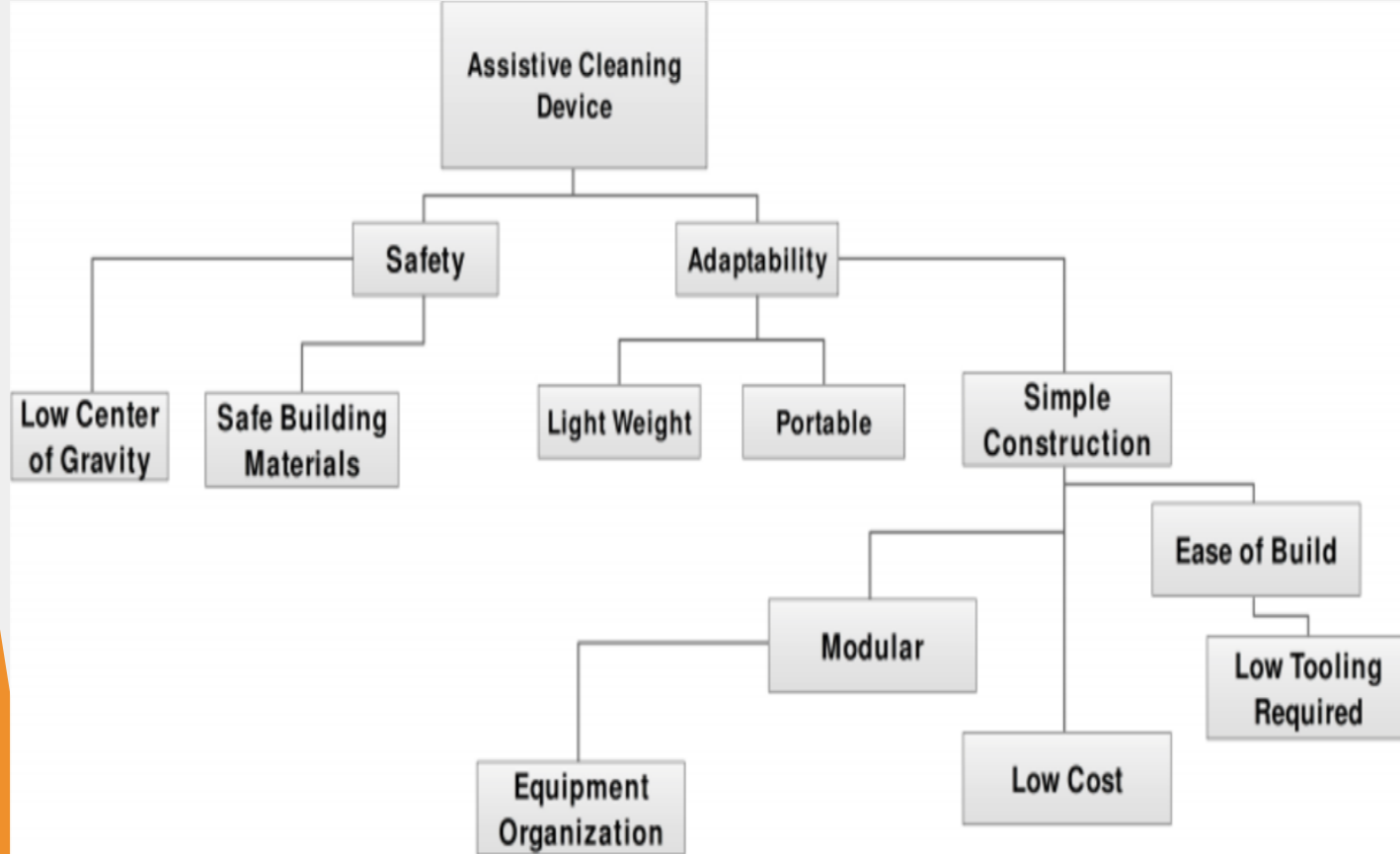


Project Description

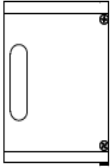
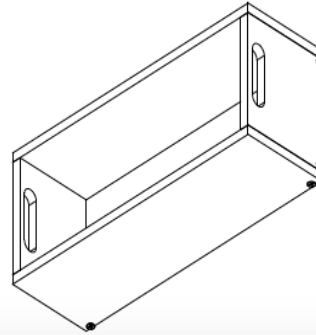
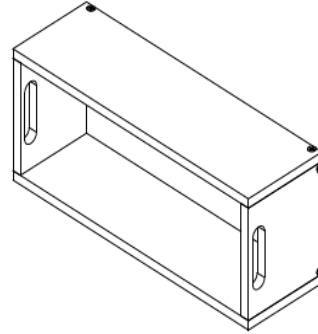
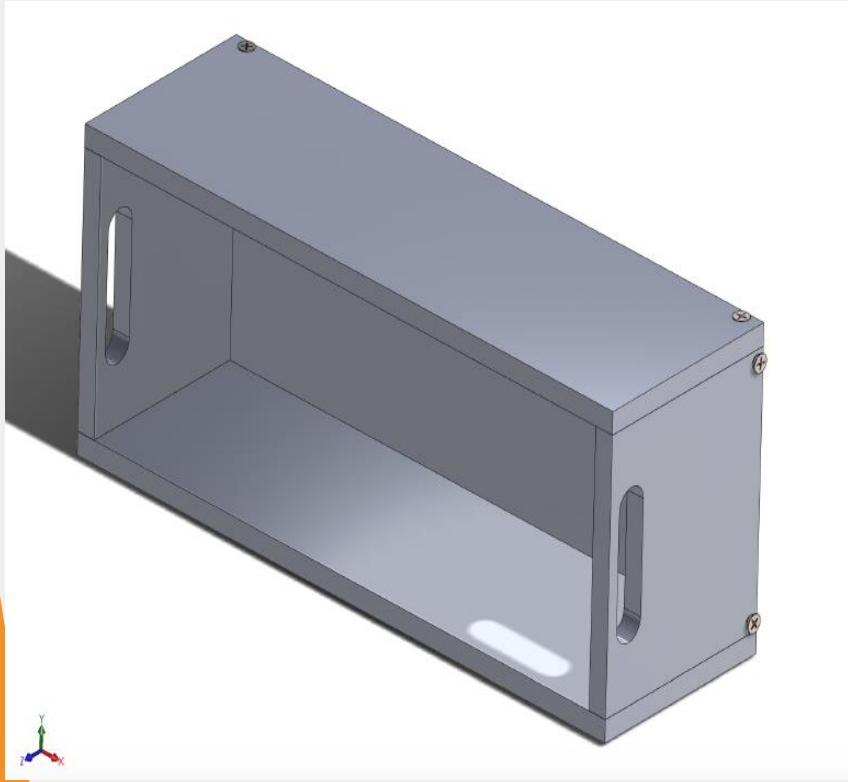
- ▶ Client: Hozhoni (ho-sho-nee) Foundation company.
- ▶ Our goal is to create a system that allow those in wheelchairs to safely and efficiently transport cleaning supplies.
- ▶ Device must be storable and be compatible with different wheelchairs.
- ▶ The solution must be adaptable for different sizes types of wheelchairs



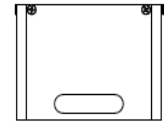
Functional Decomposition:



Final Design Description: Lap Table



ITEM NO.	PART NUMBER	DESCRIPTION	QTY.
1	Base	This is the base of the table it will be made of wood	1
2	short side with handle	left and right sides with handles	2
3	long side	front and back sides	2
4	PLATEKIT 0.25x1.40x1/24pin 14B-1.8134H	screws to hold the sides with the base	8



Design Function:

- ▶ Simple rectangular box with handles on the side for users comfort
- ▶ Velcro system that allows the device to stay securely on lap
- ▶ Most materials required for the design can be found at hardware stores and craft stores Currently



Bill Of Materials:Wood

Material	Quantity	Price	Location
1 oak panel (0.5in x 24in x 48in)	1	\$15.00	Home Depot.com
Velcro (5ft long, 3/4in wide)	1	\$2.89	Velcro.com
Wood screws (\$0.04 per screw)	8	\$0.32	Home Depot.com
1 yard felt fabric	1	\$3.99	JoAnns.com
		Total: \$22.2	

Bill Of Materials:ABS Plastic

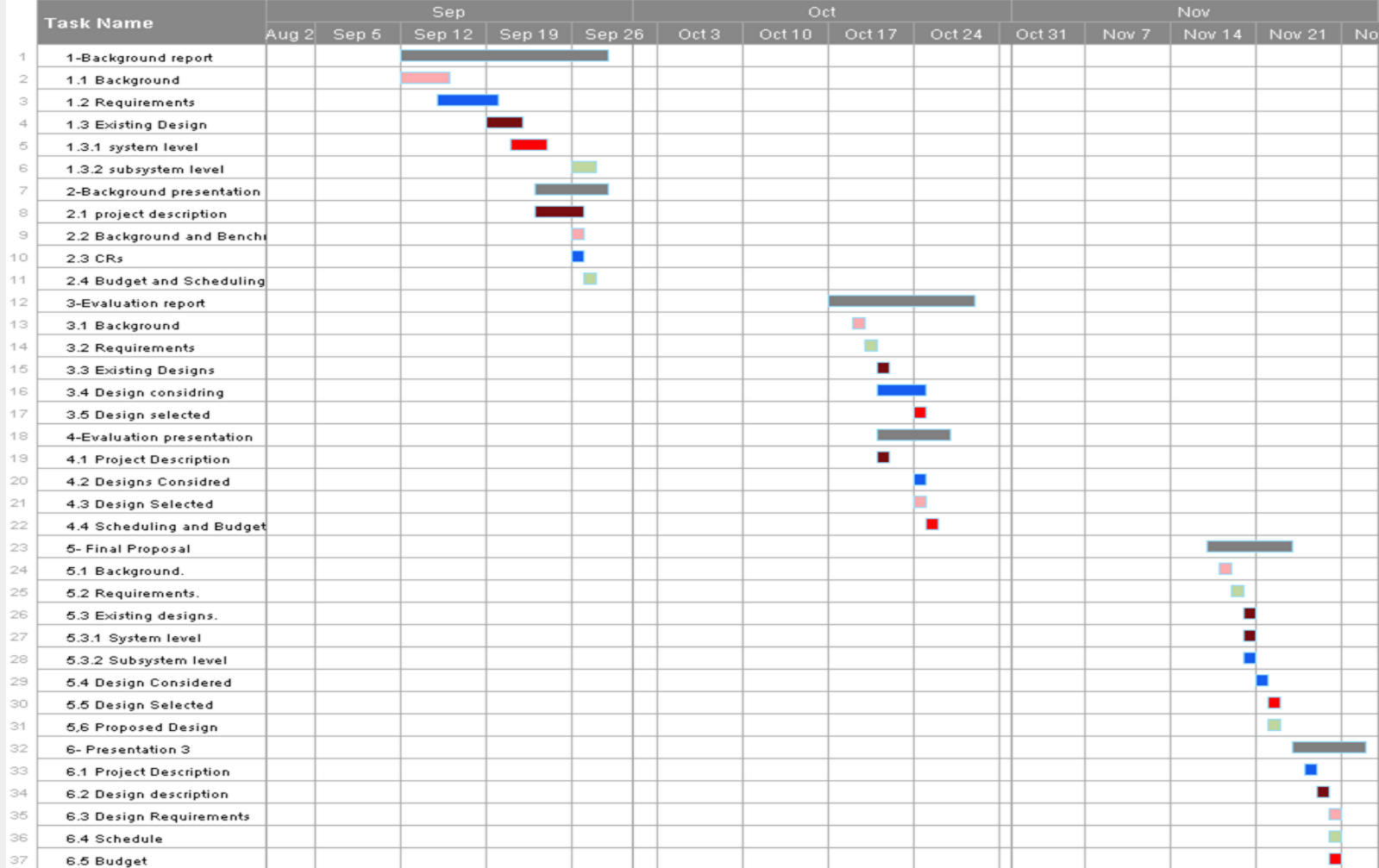
Material	Quantity	Price	Location
1 sheet ABS Plastic (24in x 48in)	1	\$42.12	Onlinemetals.com
Velcro (5ft long, 3/4in wide)	1	\$2.89	Velcro.com
1 yard felt fabric	1	\$3.99	JoAnns.com
		Total: \$49.00	

Design Requirements:

- ▶ Must have sufficient storage space for supplies.
- ▶ Device does not interfere with the user's mobility.
- ▶ Be able to store in small closets.
- ▶ Device must be lightweight, about 20lbs or less.
- ▶ Adaptable.



Schedule:



Budget

- The total budget for this project was \$1,500 funded by Hozhoni to create our system(s).

Wood lab table	\$22.2
----------------	--------

ABS plastic lab table	\$49
-----------------------	------

Allocating Price:	Cost
Prototyping	\$40
Final design	\$800
Shipping	\$100
Total	\$940
Remaining	\$560



Our prototype:



A photograph of a piece of white lined paper with the word "Questions?" written in a large, black, cursive script. A black marker is positioned at the bottom right, with a long, curved stroke drawn underneath the word. The background of the slide features a decorative pattern of overlapping geometric shapes in shades of orange and red.

Questions?