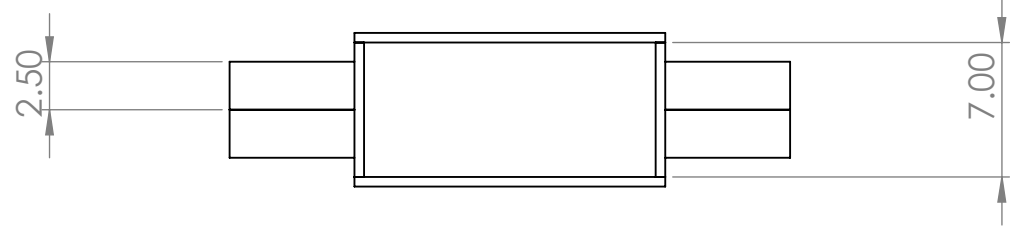
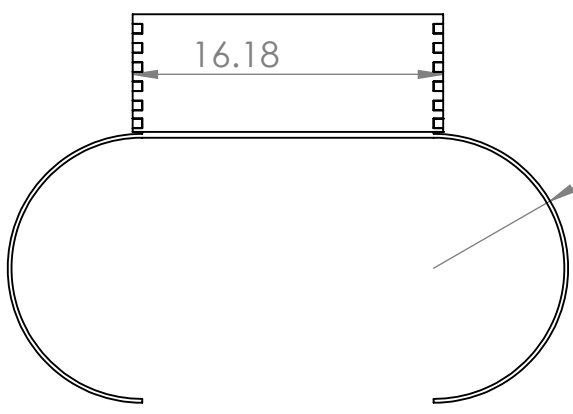


6 5 4 3 2 1

D



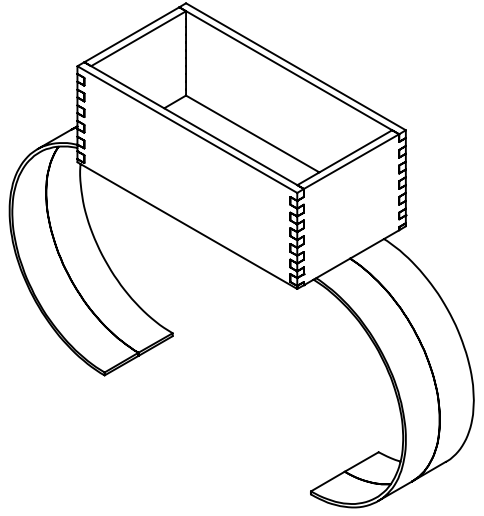
C

D

C

B

B



A

A

6 5 4 3 2 1

UNLESS OTHERWISE SPECIFIED: DIMENSIONS ARE IN MILLIMETERS SURFACE FINISH: TOLERANCES: LINEAR: ANGULAR:		FINISH:		DEBURR AND BREAK SHARP EDGES		DO NOT SCALE DRAWING		REVISION	
NAME	SIGNATURE	DATE				TITLE:			
DRAWN									
CHK'D									
APPV'D									
MFG									
Q.A				MATERIAL:		DWG NO.			A4
				WEIGHT:		SCALE:1:10			SHEET 1 OF 1

The design