



---

# Go Baby Go-D

Sponsor/Client: Dr. Sarah Oman

---

Presented by: Hussien Alajmy, Saleh Almasari, Shahah Eshkanani, Yousef Alraqem, Yousef Alenezi

# Project Description

---

- Aims in helping Disabled children.
- Make children feel normal.
- Help build a better prototype for the child in need.



Figure 1: GBG [1]

# Project Description

---

- The team managed to find a sponsor for the project over the winter break
- Sponsored by Auto Rehab garage
- Provides welding machines, experience, space..
- Sponsor information:
  - ❑Specialty: Automotive repair and performance enhancements for vehicles
  - ❑Location: 799 Historic Rte 66, Flagstaff, AZ 86001
  - ❑Phone: (928) 774-9351



Figure 2: Sponsor logo [2]

# Updates

---

- Previous CAD Design
- Needed Leg support
- Seat base was too long and needed some adjustments

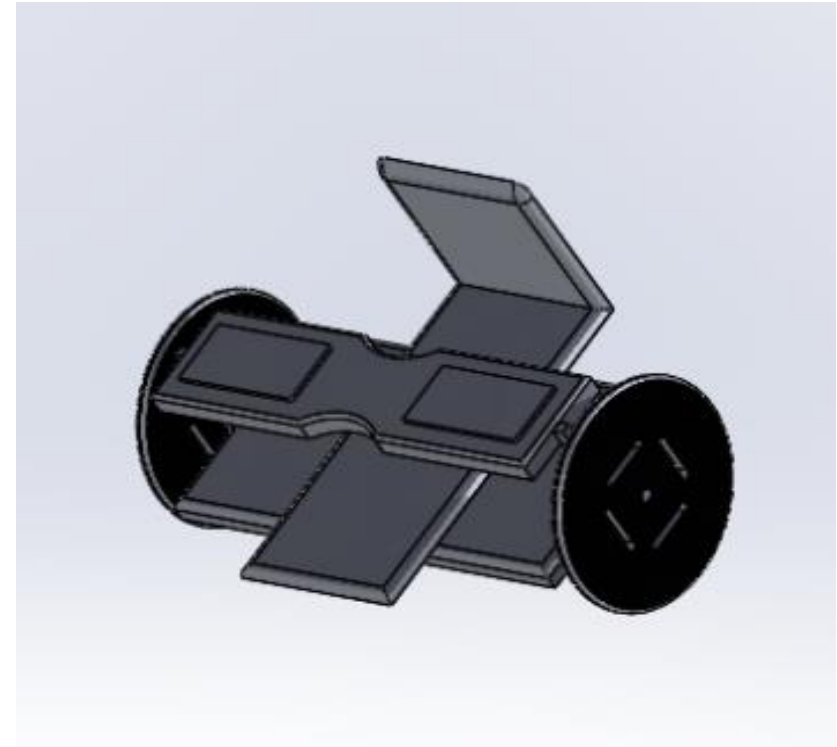


Figure 3: Capstone part 1 final PPT CAD design

# Updates

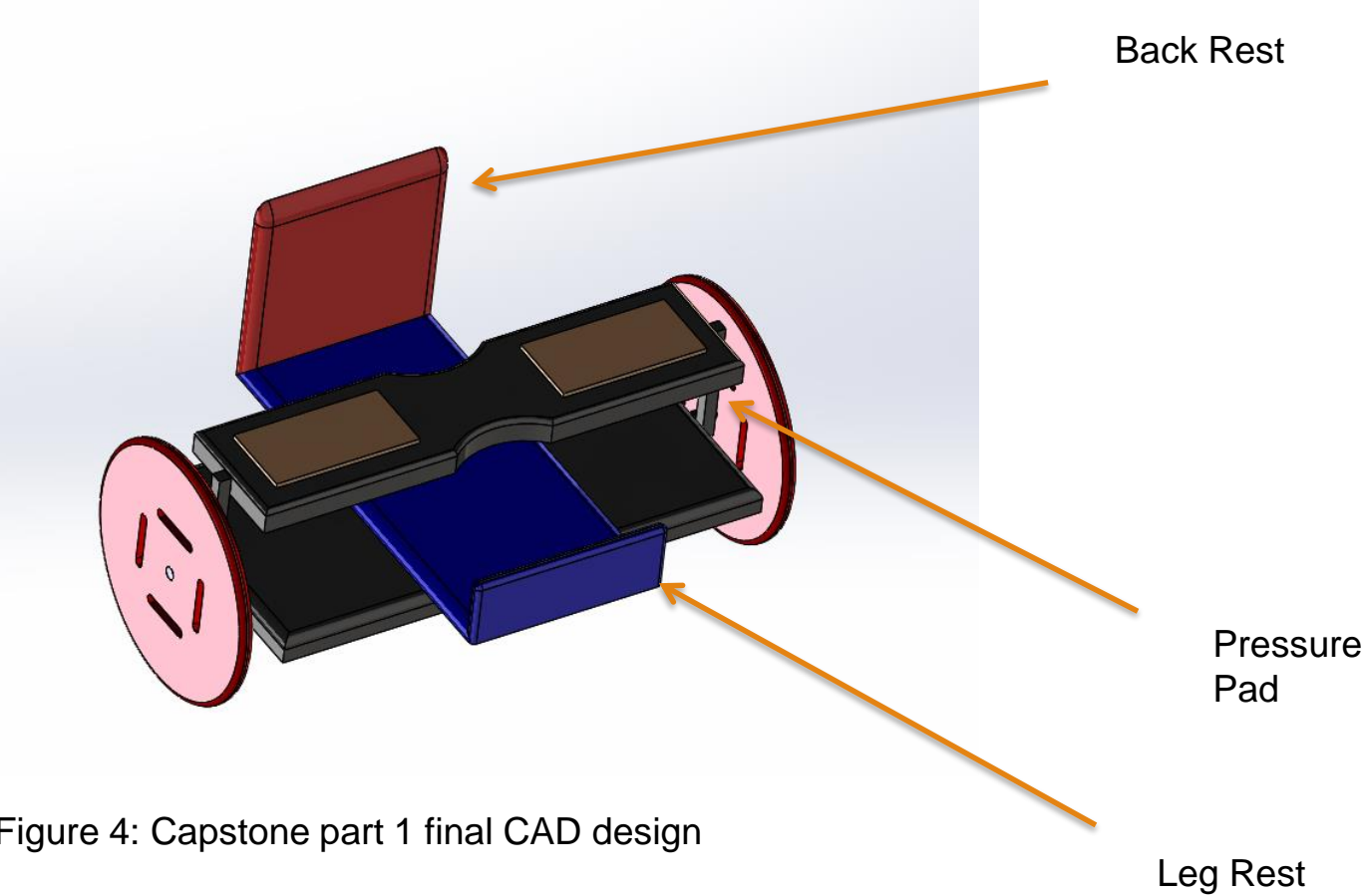


Figure 4: Capstone part 1 final CAD design



Figure 5: Leg rest

# Updates

## Capstone part 1 final report

- Grammar
- Font
- Labels and figures
- Fixed some parts of the report

## Team website

- Updated team members information
- Updated team members pictures
- Substituted sponsor information to Go Baby Go information on the home page
- Added a new link for (Team meeting minutes + Presentation + Reports)



Figure 6: Team website

# Manufacturing

---

- Manufacturing Plan:
  - ❑ Hardware 1 - Electric scoot base
  - ❑ Hardware 2 – Hoverboard, leg rest and tires attachments
- Testing:
  - ❑ Weight compatibility
  - ❑ Electric circuits
  - ❑ Pressure pads
  - ❑ Heat generation
  - ❑ Balance check

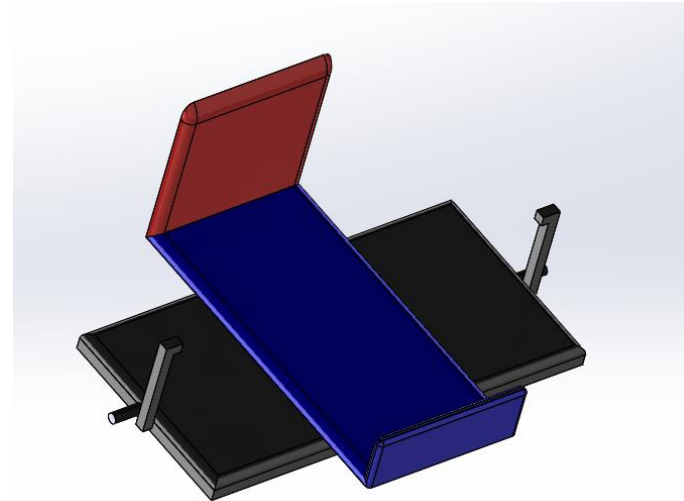


Figure 7: Electric scoot base

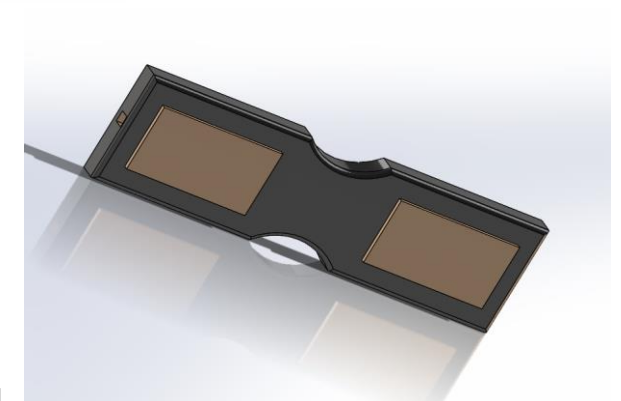


Figure 8: Hoverboard

# Manufacturing

---

Table 1: Team members responsibilities and skills






Name	Responsibility	Skills
Hussen Alajmy	Testing	OSHA safety background, PMP
Saleh Almasari	Welding	Manufacturing
Shahah Eshkanani	Electronics	Circuits layout
Yousef Alraqem	Interior design	Solidworks
Yousef Alenezi	Alignments	Solidworks



# Budget

Table 2: Bill of Materials [8-12]

Parts	Market		Cost
Graco Affix No Back Booster - Davenport	Walmart		\$64.97
BAA SHOP Two Wheels Mini Smart Self Balancing Scooter (Adapter)	Amazon		\$40.99
D@Boards Replacement Rubber Parts for 2 wheel self balance scooter hoverboard	Amazon		\$21.96
(CE FC ROHS)36V 4.4Ah 158Wh Battery Pack for 6.5" Classic Electric Scooter Hoverboard	PandaWill		\$54.99

RocketBus Replacement 6.5" Inch Power Motor Wheel for Self-Balance Smart Scooter IO Hawk PhunkeeDuck Swagway Hoverboard	Amazon		\$44.95
VIIVRIA® 9 in 1 Balance Scooter Circuit Repair Kit Board Main Hover Board replacement parts 2 Wheel 6.5"	Amazon		\$89.99
Cloudings(TM) 16 * CREE 80W LED Motor Bike/Moped/Scooter/ ATV Headlight Bulb BA20D H6 Car LEDs Lamp Lighting	Amazon		\$19.98
Lap Seat Belt, Chrome Lift Latch, 60 Inch Length	Amazon		\$14.64
K'NEX Combat Crew 5-in-1 Building Set	Amazon		\$32.99

**Total Cost \$385.46**

# Gantt Chart

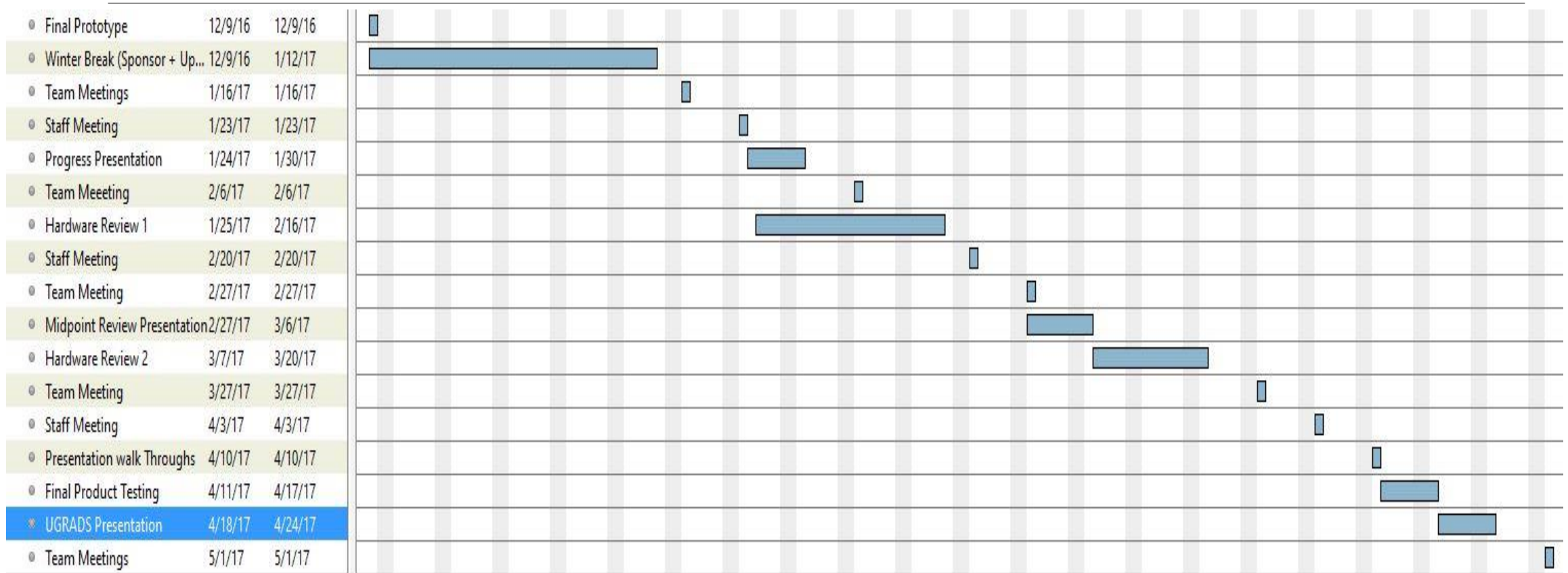


Figure 9: Gantt Chart

# References:

---

- [1] "'Go Baby Go' mobility program for children with disabilities expands to OSU | News and Research Communications | Oregon State University", *Oregonstate.edu*, 2016. [Online]. Available: <http://oregonstate.edu/ua/ncs/archives/2014/nov/%E2%80%98go-baby-go%E2%80%99-mobility-program-children-disabilities-expands-osu>.
- [2] "Does Your Car Have the Shakes? Not Quite Acting Itself? In need of an intervention? Get it checked in at Auto-Rehab / Flagstaff / 928.774.9351", *Auto-rehab.com*, 2017. [Online]. Available: <http://www.auto-rehab.com/#/autorehab>.
- [3] T. Koriath, "Parent Plus: Injuries, fires prompt warnings about hoverboards", *Aappublications.org*, 2016. [Online]. Available: <http://www.aappublications.org/news/2016/01/11/Hoverboard011116>.
- [4] "Average Height to Weight Chart - Babies to Teenagers", *Disabled World*, 2016. [Online]. Available: <https://www.disabled-world.com/artman/publish/height-weight-teens.shtml>.
- [5] J. Bash, "What's the Hoverboard Weight Limit? Self Balance Scooter", *Best Electric Hoverboard*, 2016. [Online]. Available: <https://bestelectrichoverboard.com/hoverboard-faq/whats-the-hoverboard-weight-limit/>.
- [6] "FAQ,". [Online]. Available: <https://swagtron.com/faq/>.
- [7] "Scoot," English. [Online]. Available: <https://www.fireflyfriends.com/us/scoot>.
- [8] W. Stores, "Walmart.com: Free shipping on orders over \$50," *Walmart.com*. [Online]. Available: <https://www.walmart.com/>.
- [9] Amazon, "Amazon.com: Online shopping for electronics, apparel, computers, books, DVDs & more," in *Amazon.com: All, Amazon*, 1996. [Online]. Available: [https://www.amazon.com/ref=nav\\_logo](https://www.amazon.com/ref=nav_logo).
- [10] PandaWill, "Battery for 6.5 electric scooter Hoverboard," 2013. [Online]. Available: <http://www.pandawill.com/ce-fc-rohs36v-44ah-158wh-battery-pack-for-65-classic-electric-scooter-hoverboard-p113978.html>. Accessed: Nov. 18, 2016.
- [11] S. Productions, "Developing a Website that works for you – Solina productions," 2016. [Online]. Available: <http://www.solinaproductions.com/developing-a-website-that-works-for-you/>.
- [12] 2016 Studica and its affiliates, "Adobe Dreamweaver creative cloud for non-profits | Studica®,". [Online]. Available: [http://www.studica.com/us/en/AdobeNonProfit/adobe-dreamweaver-creative-cloud-non-profit-license/65231265bb01a12.html?ex\\_ref=google\\_feed&qclid=CjwKEAiA6rrBBDsrLGM4uTPkWASJADnWZQ4bcCP2TN5E1QgRU-pMftI6qdJs9UyPsFmHigrf7sDWxoCyl\\_w\\_wcB](http://www.studica.com/us/en/AdobeNonProfit/adobe-dreamweaver-creative-cloud-non-profit-license/65231265bb01a12.html?ex_ref=google_feed&qclid=CjwKEAiA6rrBBDsrLGM4uTPkWASJADnWZQ4bcCP2TN5E1QgRU-pMftI6qdJs9UyPsFmHigrf7sDWxoCyl_w_wcB).
- [13] "Velocity Responsive Multipurpose Template", *Cefns.nau.edu*, 2016. [Online]. Available: <https://www.cefns.nau.edu/capstone/projects/ME/2017/GoBabyGoD/>.

---

# Thank You

