

MEETING AGENDA

Topic: ME 486C Go-Baby-Go Team Meeting

Date: February 9th 2017

Time: 5:00 – 7:00 pm

Meeting called by Yousef Alraqem
Minutes recorded by Yousef Alraqem

Attendees: Hussien Alajmy, Shahah Eshkanani, Yousef Alenezi, Yousef Alraqem, Saleh Almasari

Please bring: Your laptop In every meeting with ME486C class notes.

- **Hardware Review 1**

Dr. Sarah Oman wanted 60-65% of the project to be completed due to extending the deadline for hardware review 1.

- **Changed the design:**

- 1. Base**

Due to timing the team decided to purchase a low back seat instead of making it from scratch.

- 2. Weight**

During the manufacturing the team realized that the old design will not work with the low back seat due to weight issues. Therefore, the team supported the seat with base that is made of wood and beams. The team's new design as shown in figure 2 but it will still have the main structure and idea of the project; which

is transforming a physical scoot to electric scoot by having a hoverbaord electric system.

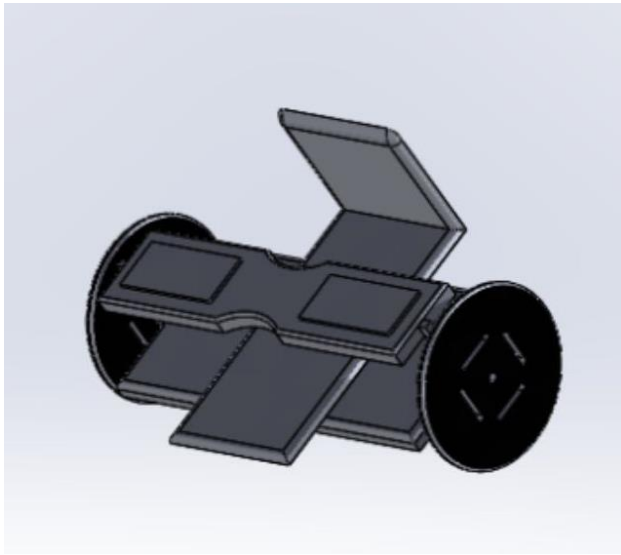


Figure 1 Old design



Figure 2 New design