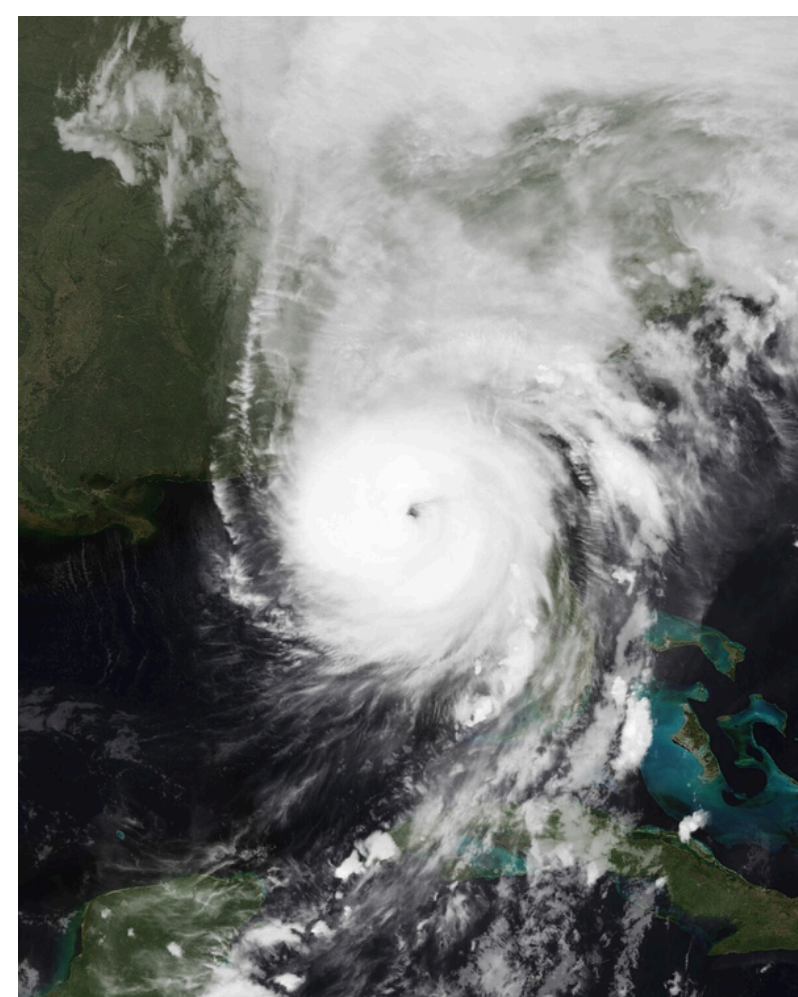


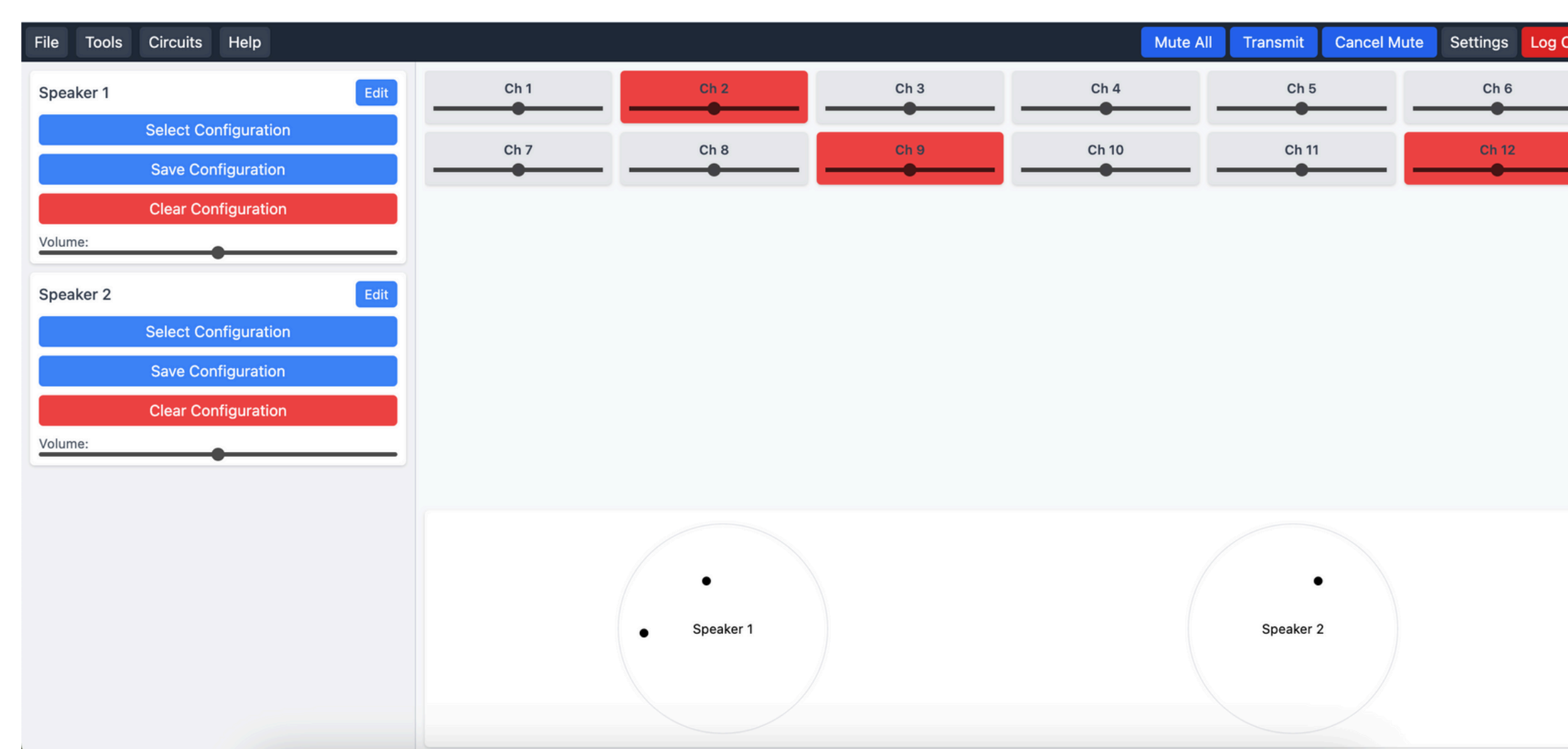


## Motivation

- Recent severe weather events have underscored the need for rapid and reliable response systems in Search and Rescue (SAR) operations.
- Our product will enhance SAR communication efficiency through a web-based audio platform that integrates advanced real-time audio processing, designed to improve clarity and reliability in critical operational scenarios.



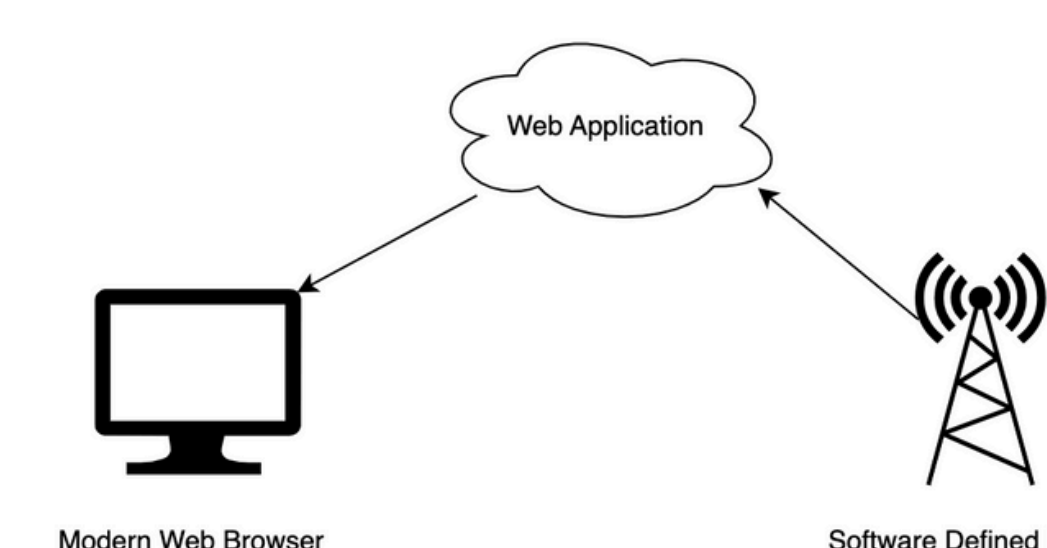
## Key Features



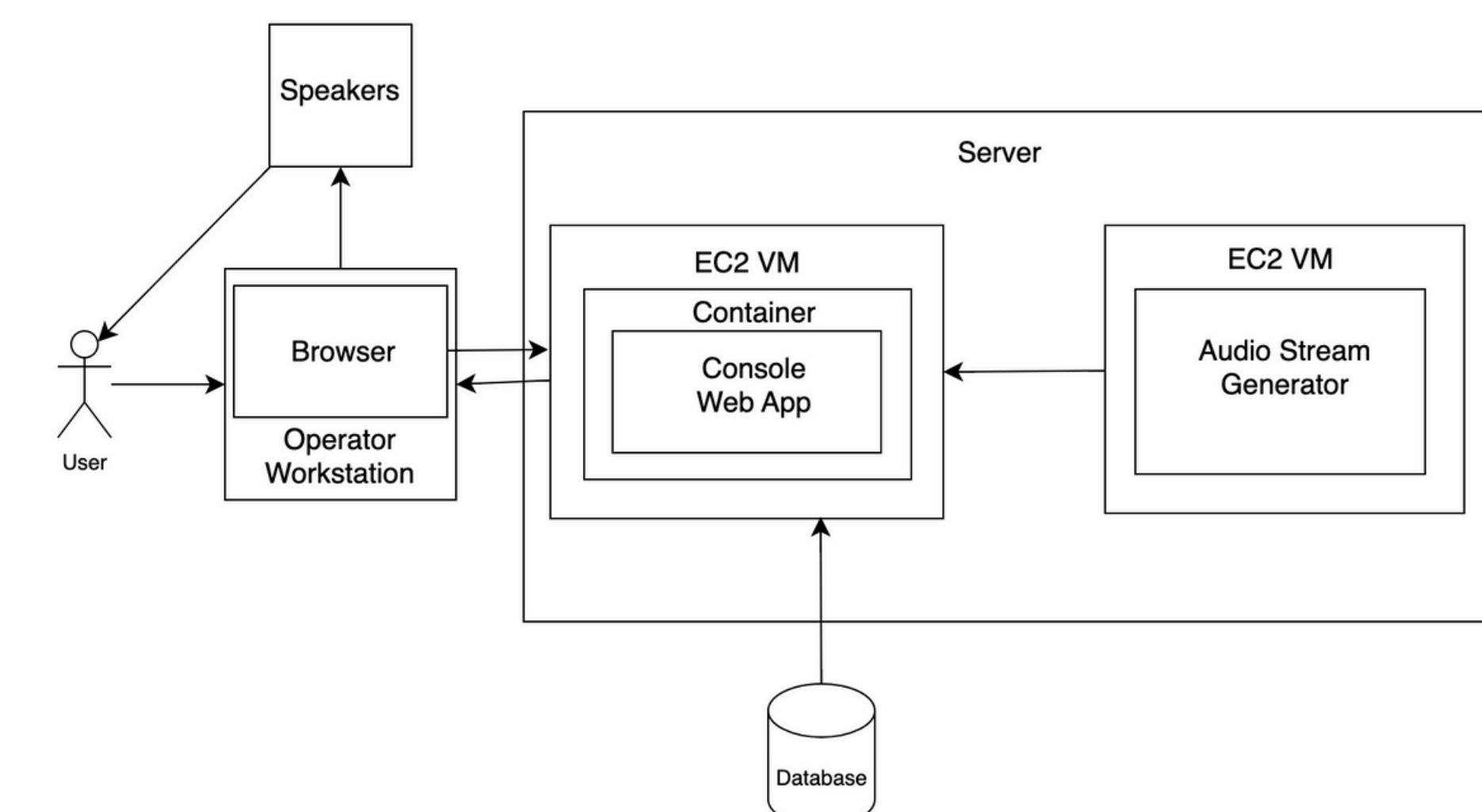
- Simultaneous support for up to 88 audio streams
- Virtual, spatial separation of audio streams
- Secure access to broadcasts through accounts
- Wide access provided through browsers
- Compatibility with thin clients and personal devices
- NIST Compliance
- Zero Trust Security methodology
- Modular Architecture for integration and scalability

## System Architecture

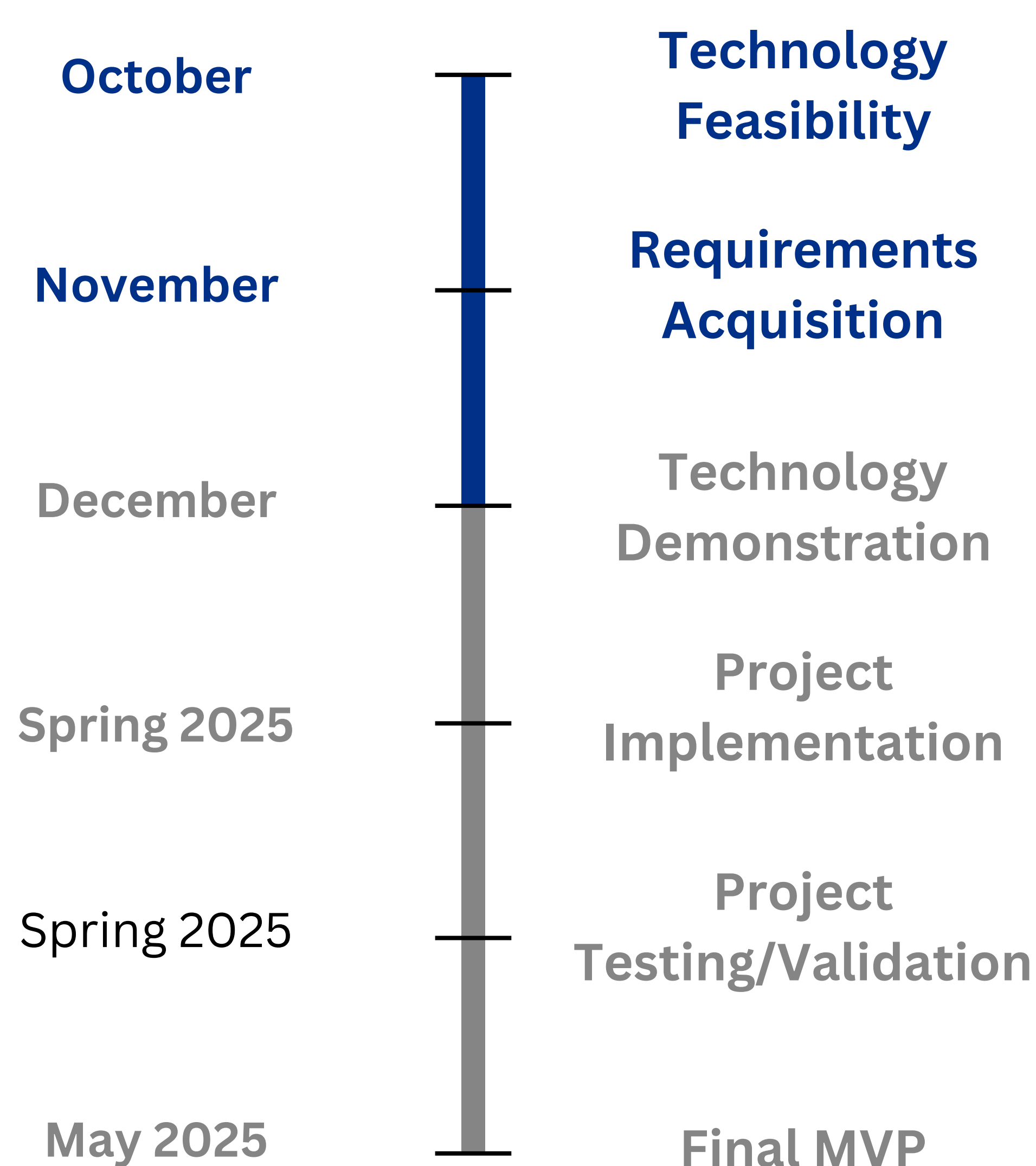
System Architecture:



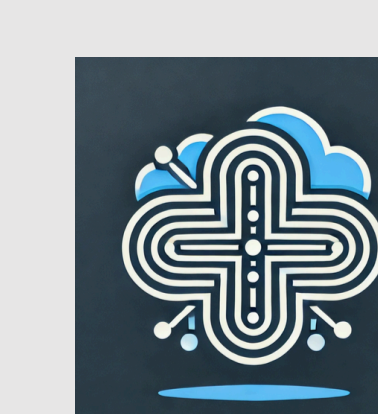
Software Architecture:



## Current Status



## Technologies



Team Website:

