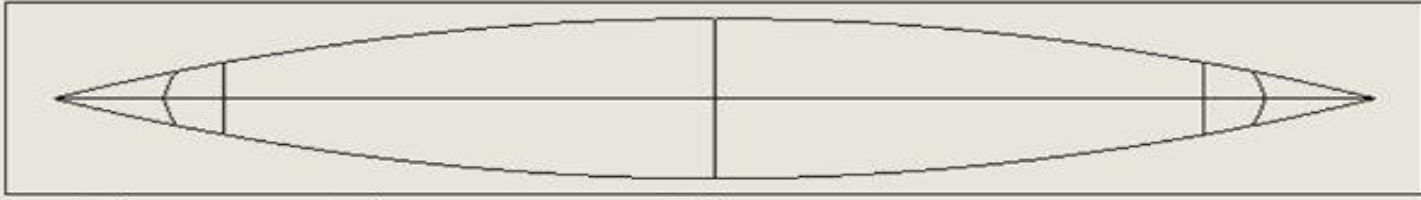
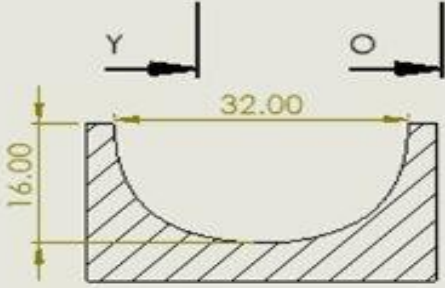


2

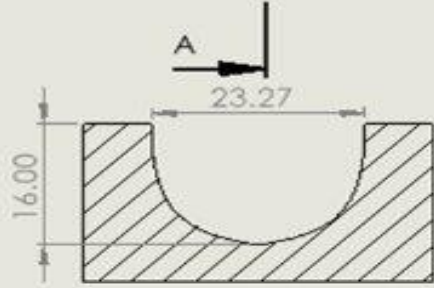
1



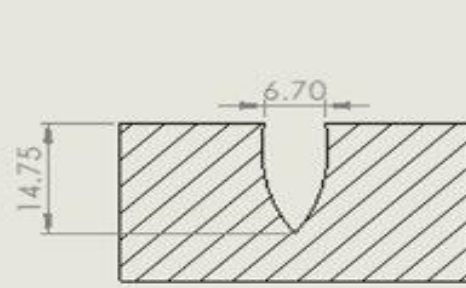
21.00



SECTION A-A
SCALE 1 : 20



SECTION O-O
SCALE 1 : 20



SECTION Y-Y
SCALE 1 : 20

B

B

A

A

PROPRIETARY AND CONFIDENTIAL
 THE INFORMATION CONTAINED IN THIS DRAWING IS THE SOLE PROPERTY OF <INSERT COMPANY NAME HERE>. ANY REPRODUCTION IN PART OR AS A WHOLE WITHOUT THE WRITTEN PERMISSION OF <INSERT COMPANY NAME HERE> IS PROHIBITED.

NEXT ASSY	USED ON	
APPLICATION		DO NOT SCALE DRAWING

UNLESS OTHERWISE SPECIFIED:
 DIMENSIONS ARE IN INCHES
 TOLERANCES:
 FRACTIONAL ±
 ANGULAR: MACH ± BRND ±
 TWO PLACE DECIMAL ±
 THREE PLACE DECIMAL ±
 INTERPRET GEOMETRIC TOLERANCING PER:
 MATERIAL
 FINISH

	NAME	DATE
DRAWN	DV	
CHECKED	KT	
ENG APPR.		
MFG APPR.		
Q.A.		
COMMENTS: Plan and Profile View with Typical Cross Sections		

CONCRETE CANOE

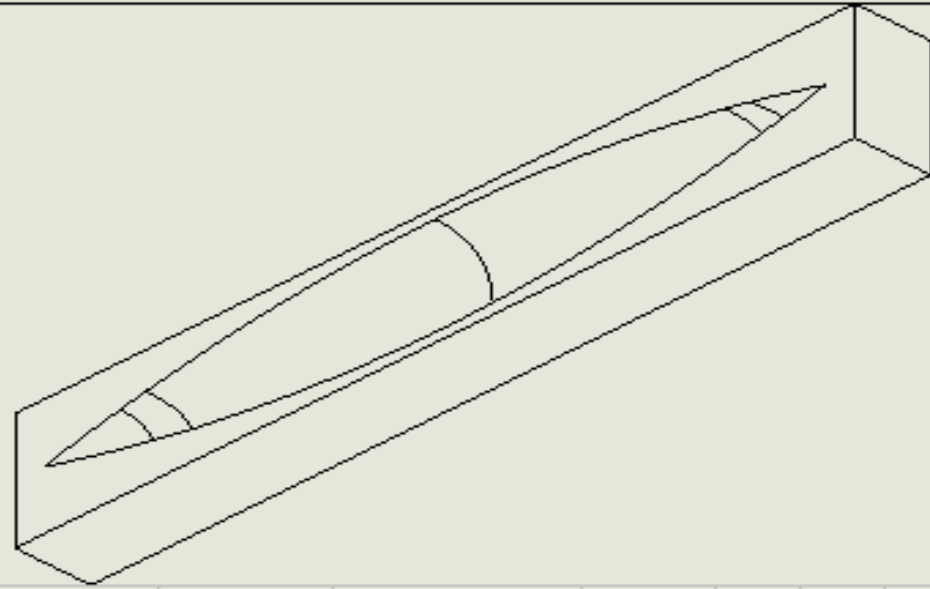
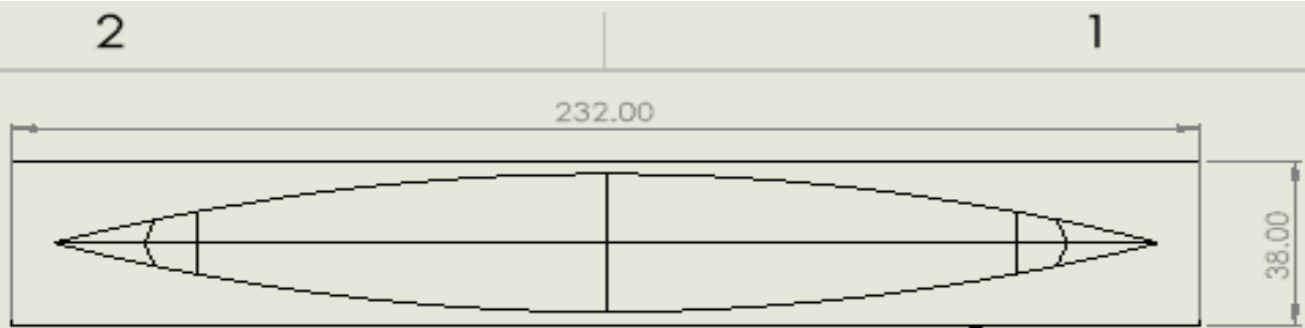
TITLE:
SECTION BREAKDOWN

SIZE	DWG. NO.	REV
A	1	

SCALE: 1:30 WEIGHT: SHEET 1 OF 5

2

1



B

B

A

A

PROPRIETARY AND CONFIDENTIAL
 THE INFORMATION CONTAINED IN THIS DRAWING IS THE SOLE PROPERTY OF
 <INSERT COMPANY NAME HERE>. ANY
 REPRODUCTION IN PART OR AS A WHOLE
 WITHOUT THE WRITTEN PERMISSION OF
 <INSERT COMPANY NAME HERE> IS
 PROHIBITED.

		UNLESS OTHERWISE SPECIFIED:		NAME	DATE
		DIMENSIONS ARE IN INCHES:		DRAWN	DV
		TOLERANCES:		CHECKED	KT
		FRACTIONAL: $\frac{1}{16}$		ENG. APPR.	
		ANGULAR: MACH \pm BEND \pm		MFG. APPR.	
		THREE PLACE DECIMAL: \pm		Q.A.	
		RESPECT GEOMETRIC TOLERANCING PER:		COMMENT:	
		MATERIAL:			
		FINISH:			
NEXT ASSY	USED ON				
APPLICATION		DO NOT SCALE DRAWING			

CONCRETE CANOE

TITLE:
Top and Isometric View

SIZE	DWG. NO.	REV
A	1	
SCALE: 1:35		WEIGHT:
		SHEET 1 OF 5

2

1