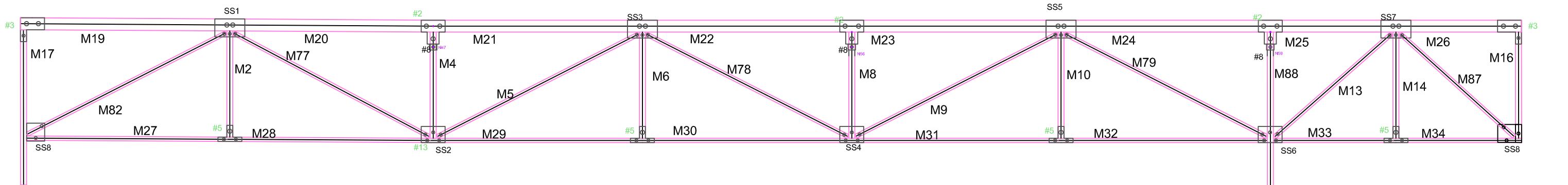
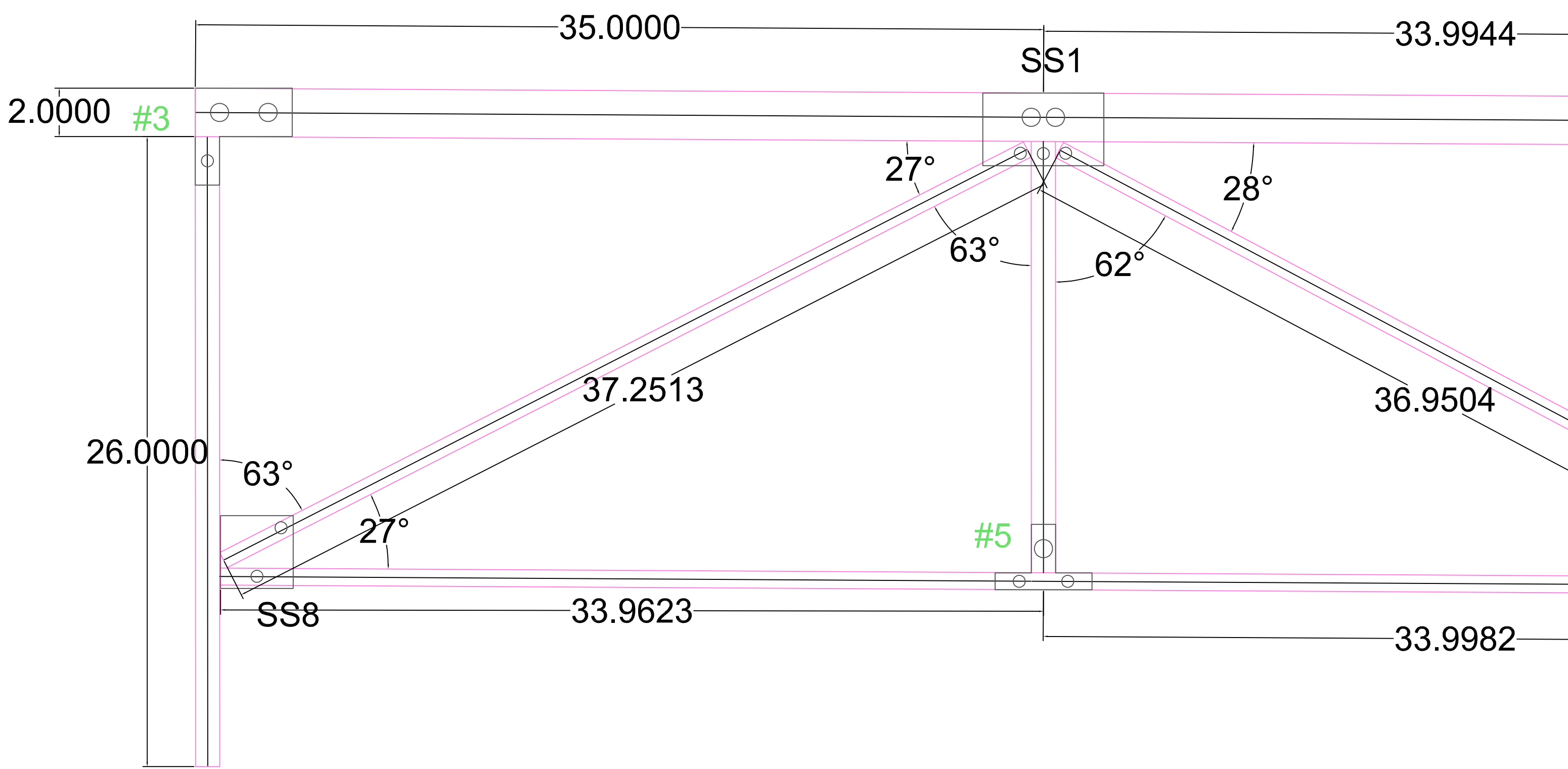


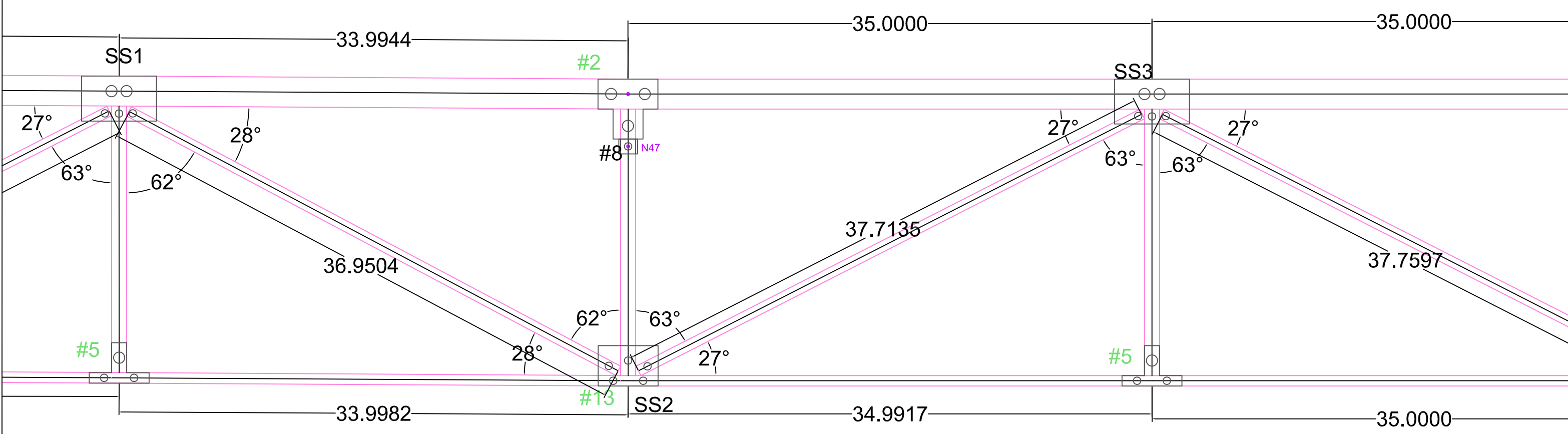
NORTHSIDE VIEW (W/DIAGONALS)



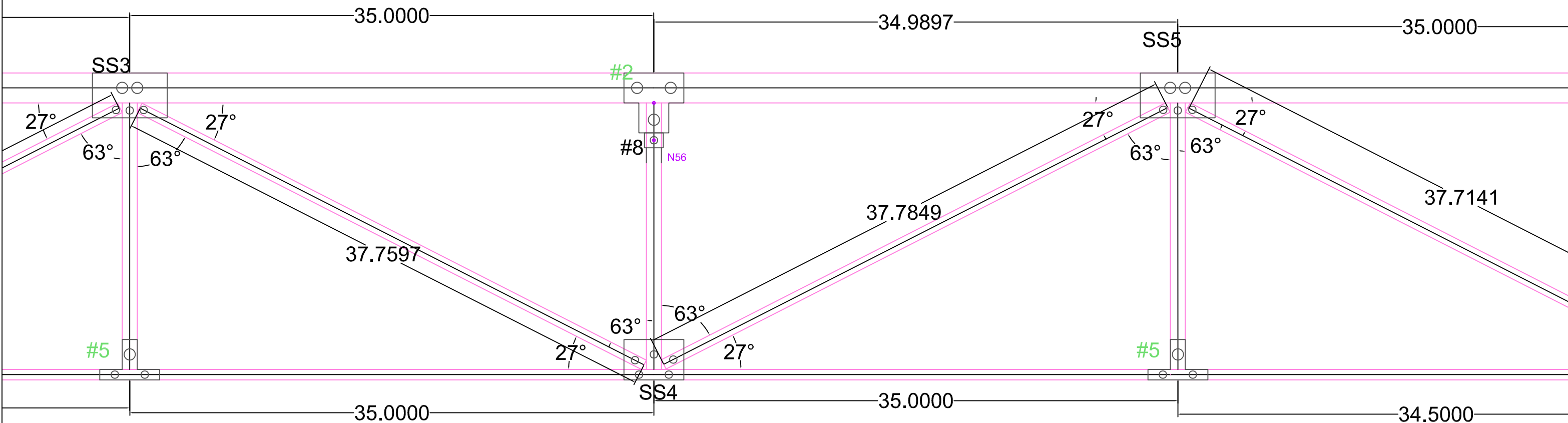
NORTHSIDE VIEW (W/DIAGONALS)



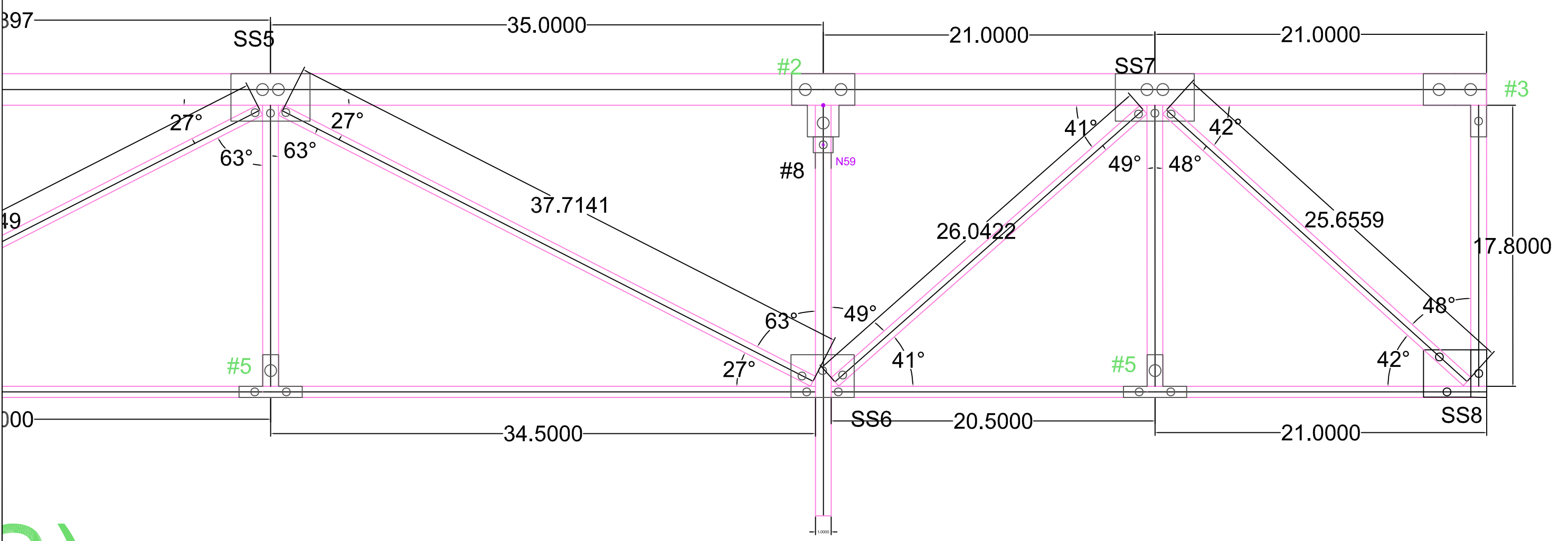
NO



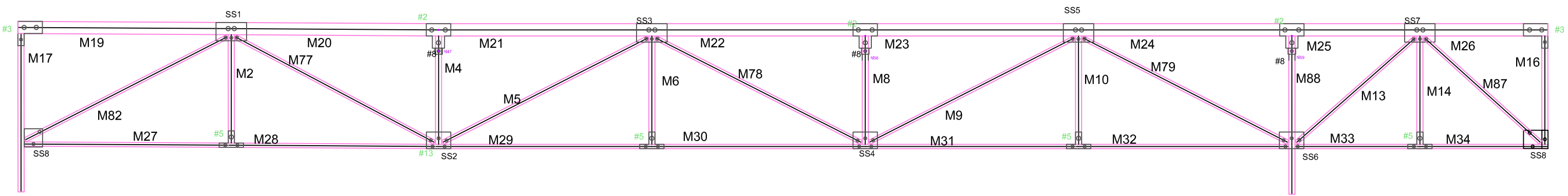
# NORTHSIDE VIEW (W/DIA)



EW (W/DIAGONALS)

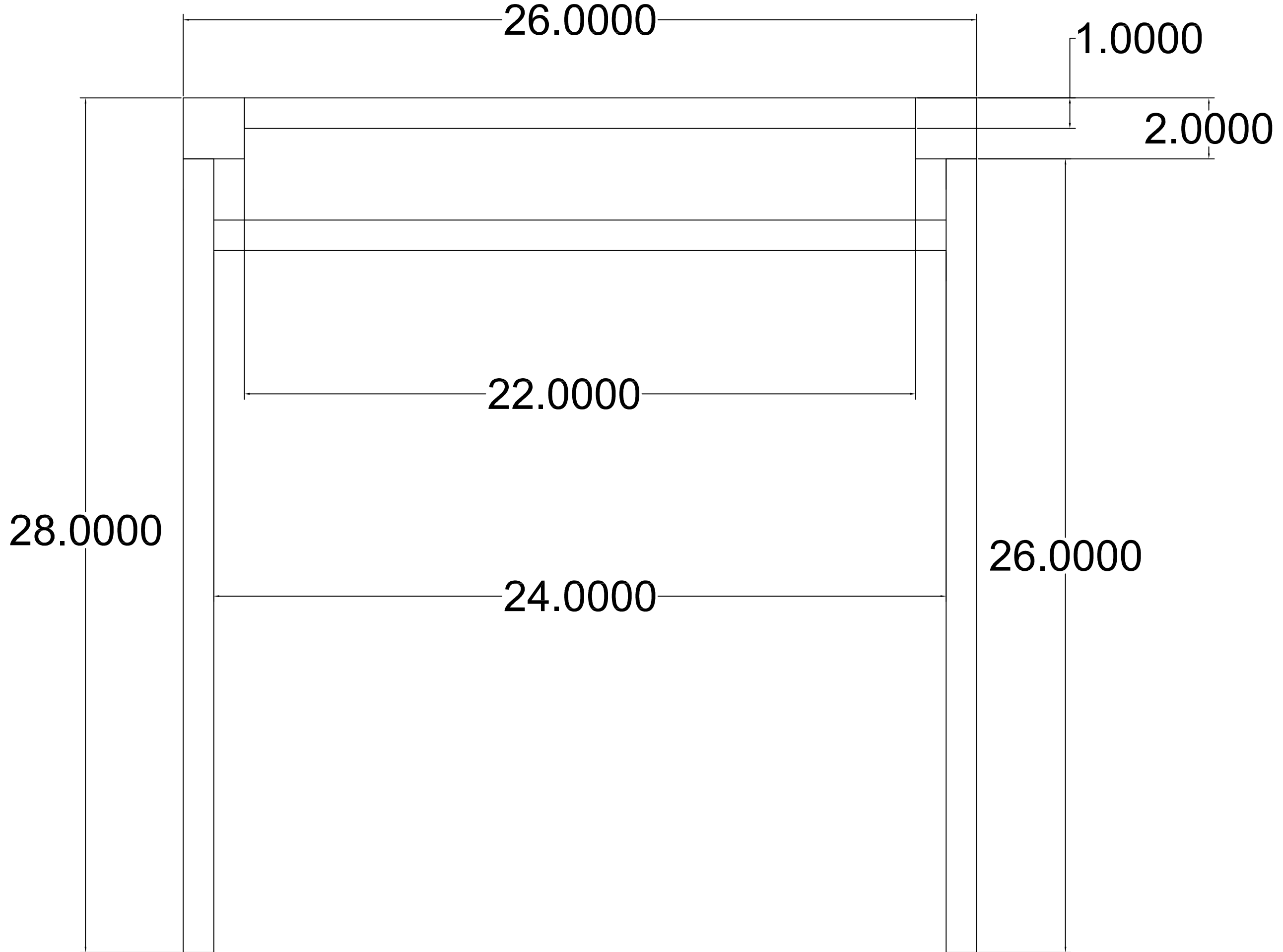


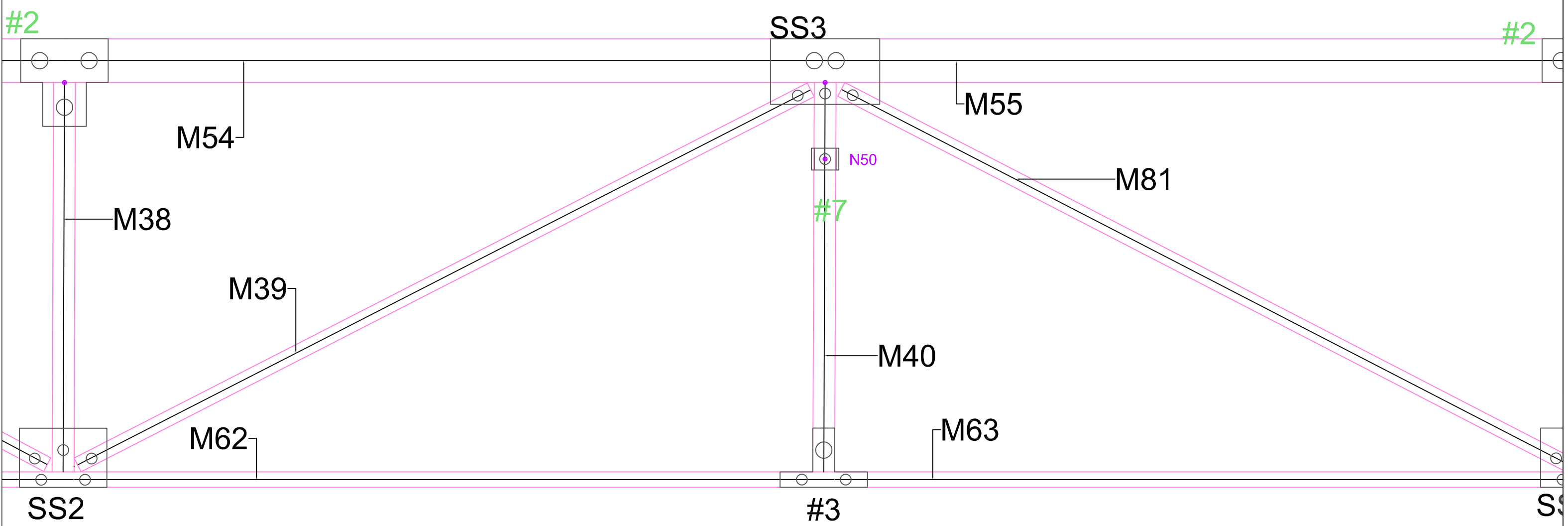
S)



# NORTHSIDE VIEW (W/DIAGONALS)

# Side View





# DE VIEW (W/DIAGONAL)



#2

SS5

M56

M57

M45

#7

M51

M84

N53

M42

M43

M64

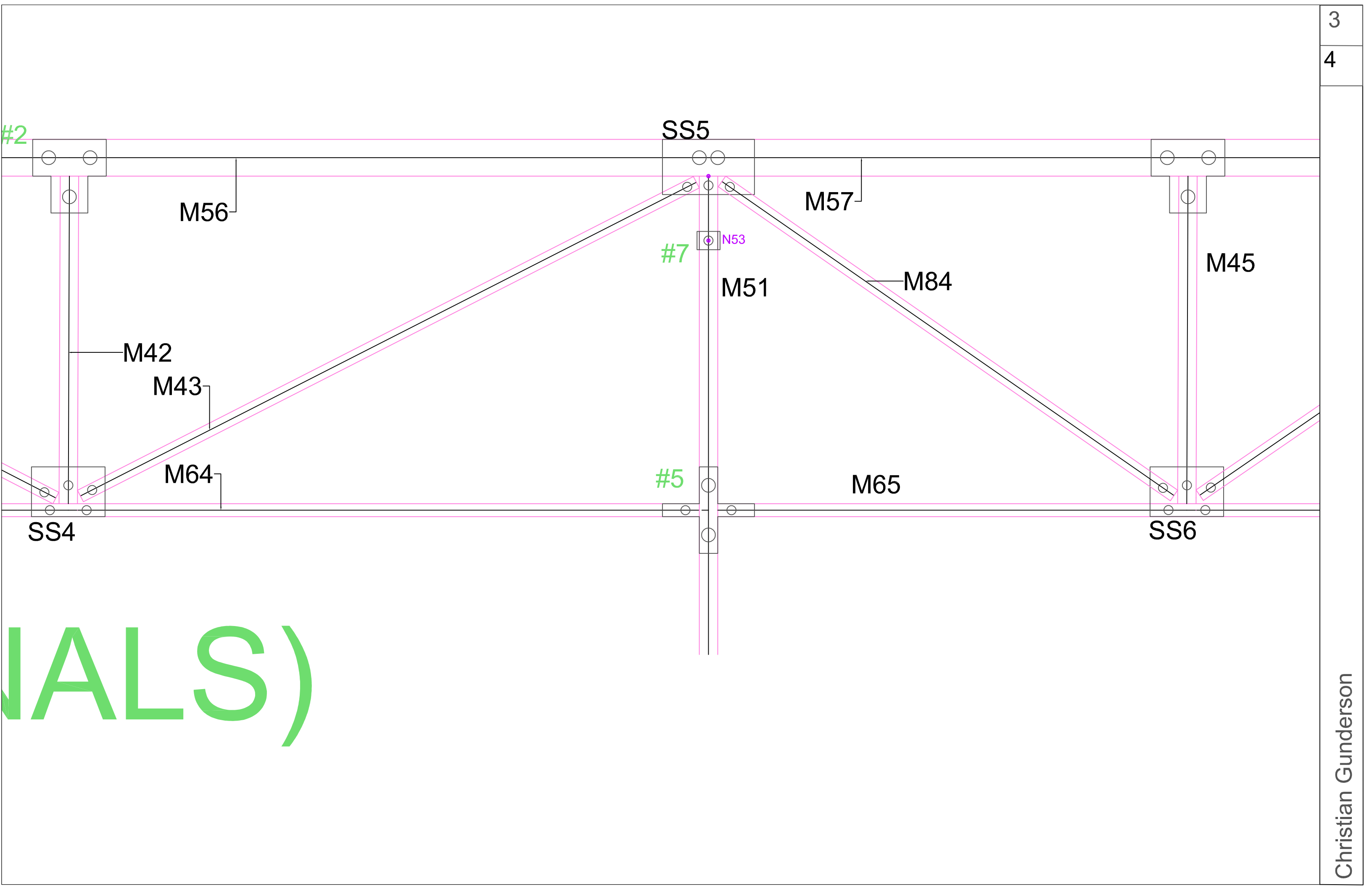
#5

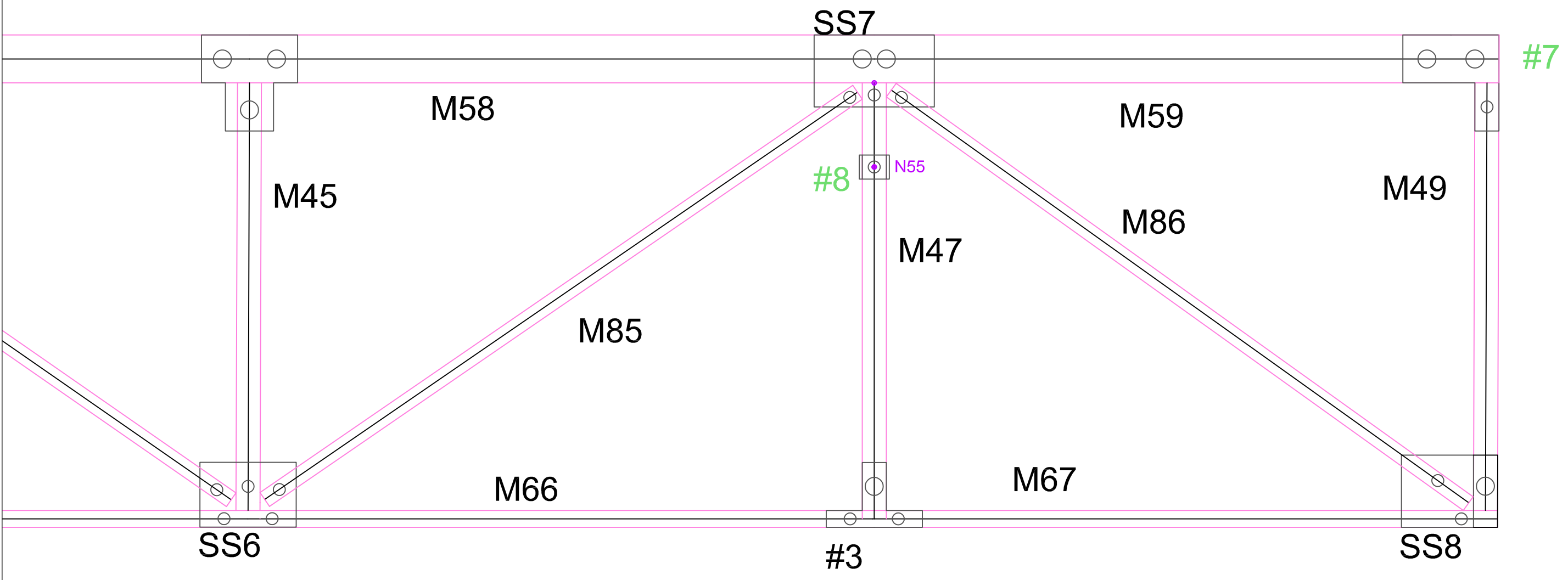
M65

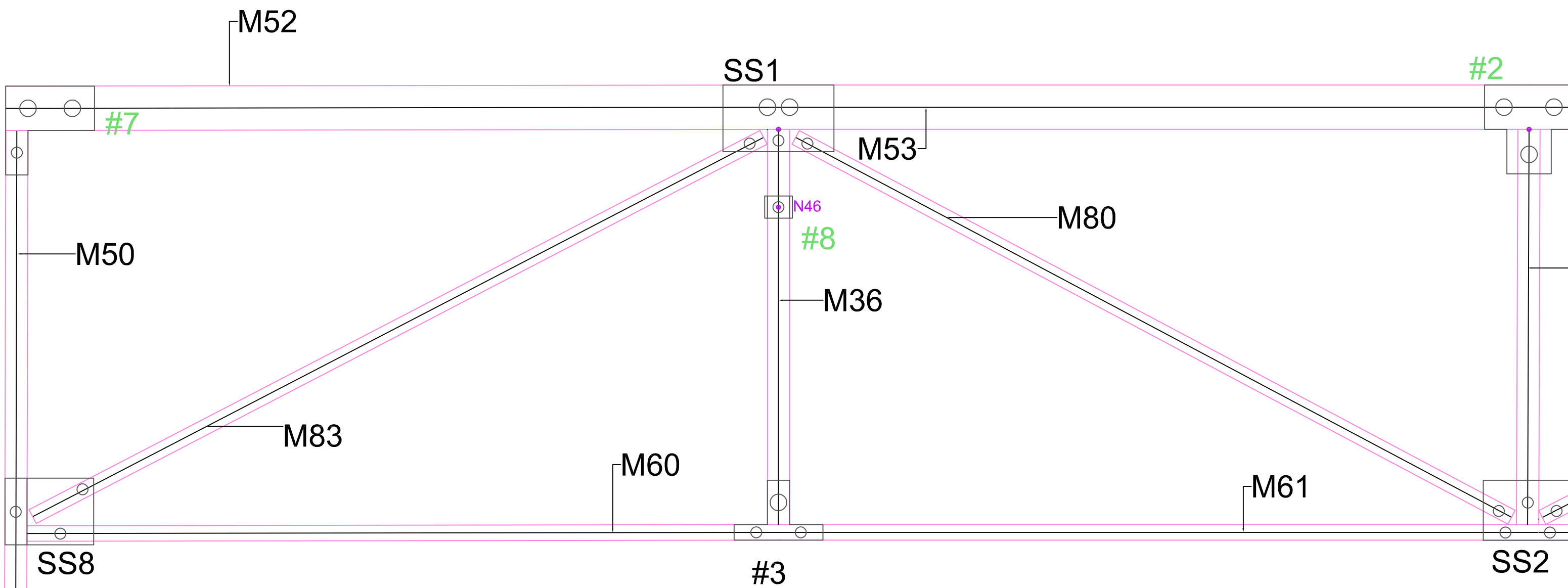
SS4

SS6

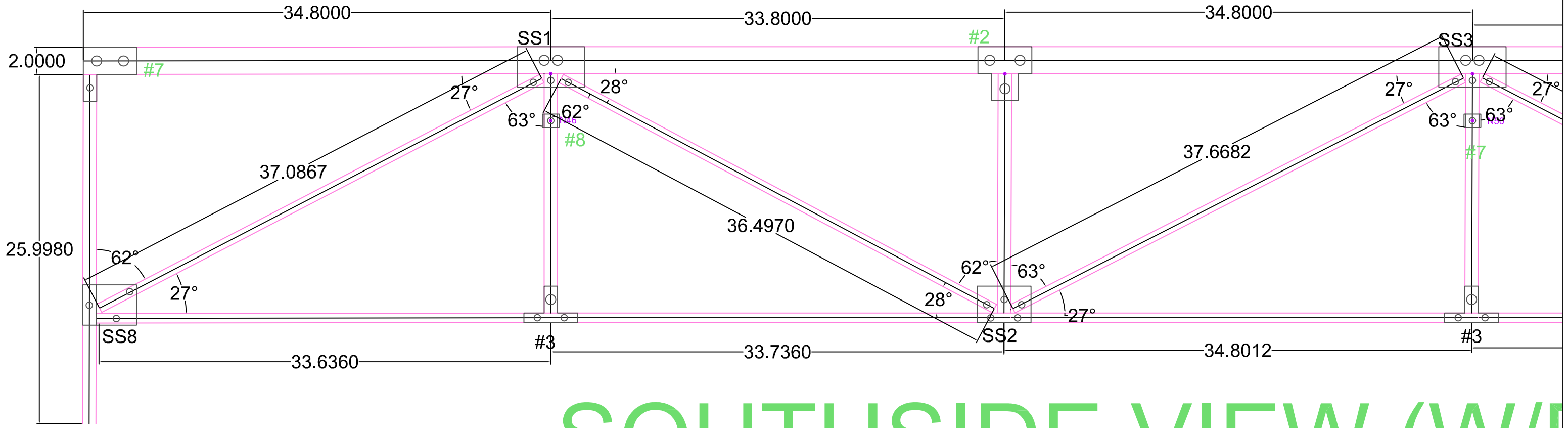
IALS)



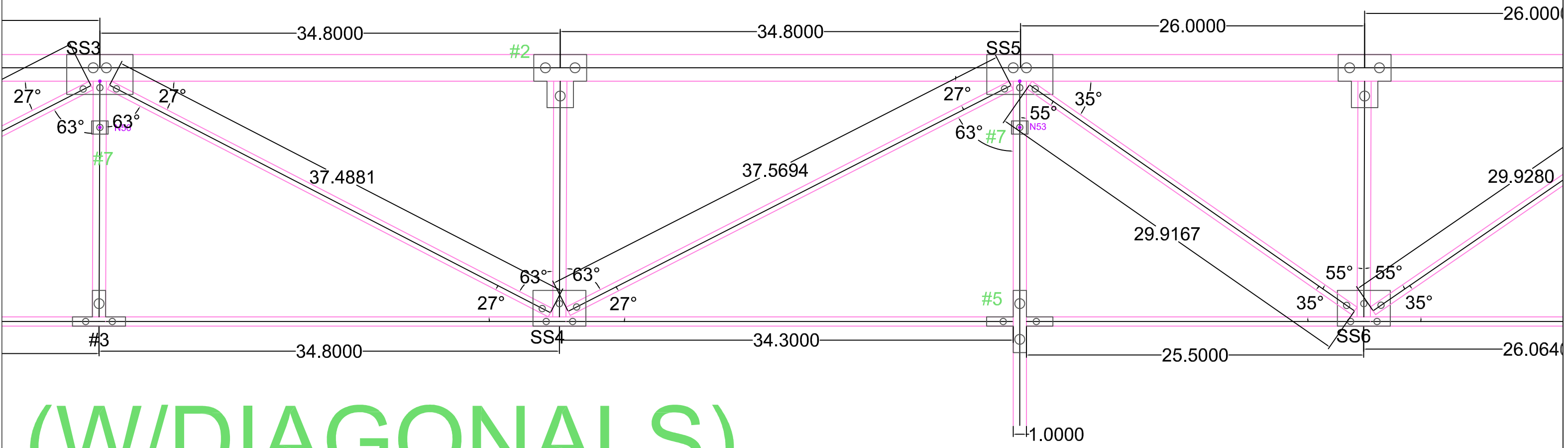




SOUTHSID



# SOUTHSIDE VIEW (W/D



(W/DIAGONALS)

