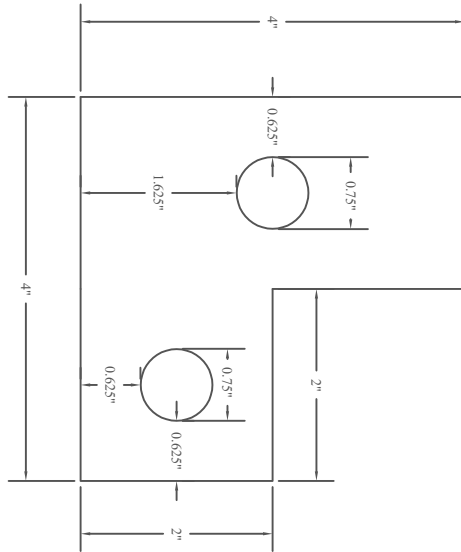
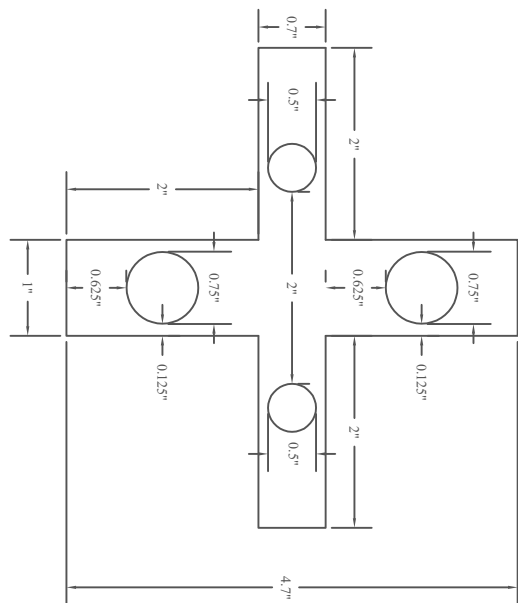


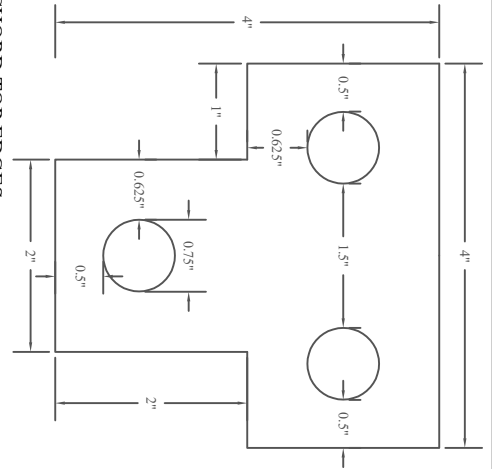
DIAGONAL LATERAL MEMBERS  
NODES 49, 52, 54, 57, 58, 60



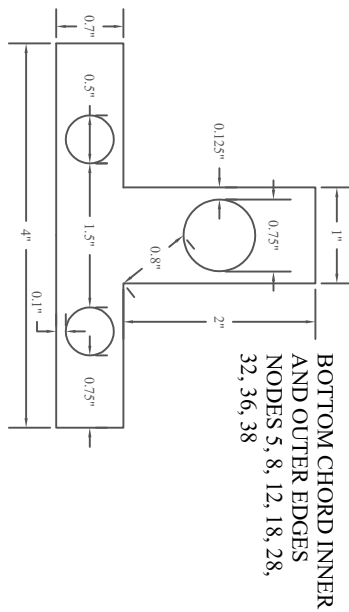
TOP CORNERS TOP EDGES  
NODES 1, 19, 23, 39



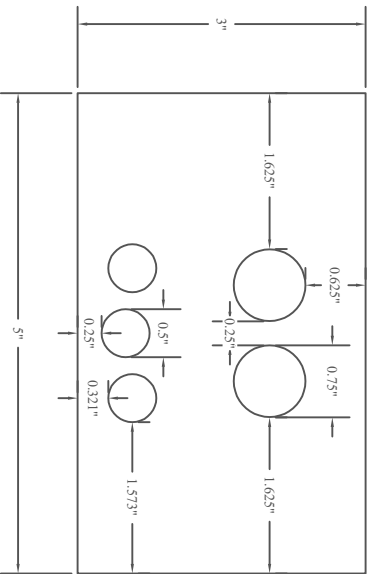
BOTTOM CHORD CANTILEVER LEGS  
NODES 5, 25



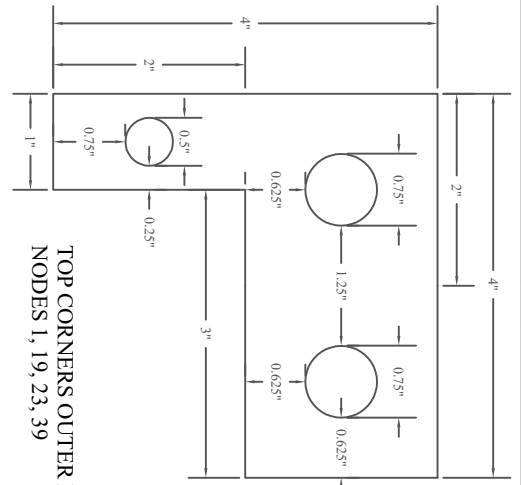
TOP CHORD TOP EDGES  
NODES 4, 7, 9, 11, 13, 15, 17, 24, 27, 29, 31, 33, 35, 37



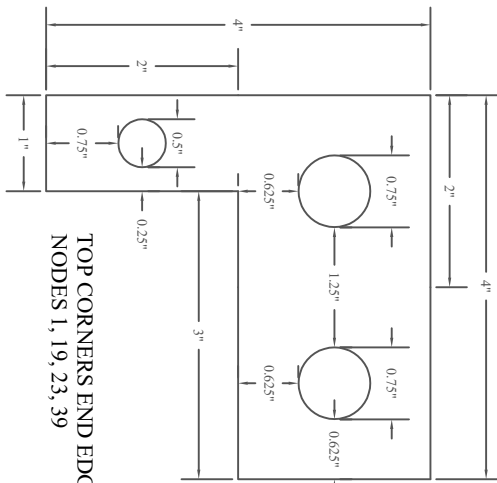
BOTTOM CHORD INNER  
AND OUTER EDGES  
NODES 5, 8, 12, 18, 28,  
32, 36, 38



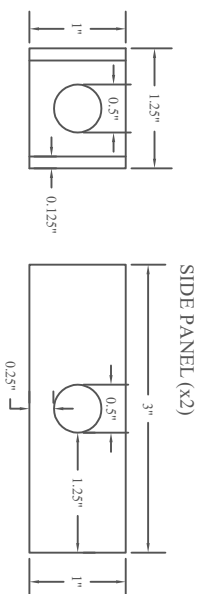
TOP CHORD OUTER EDGES  
NODES 4, 7, 11, 17, 27, 31, 35, 37



TOP CORNERS OUTER EDGES  
NODES 1, 19, 23, 39



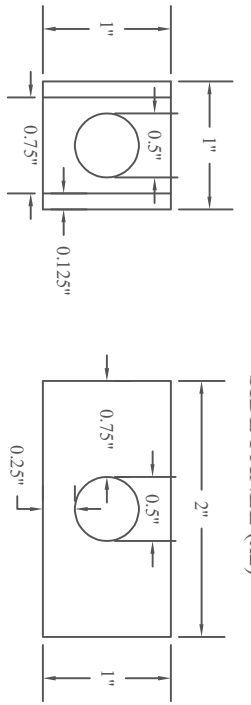
TOP CORNERS END EDGES  
NODES 1, 19, 23, 39



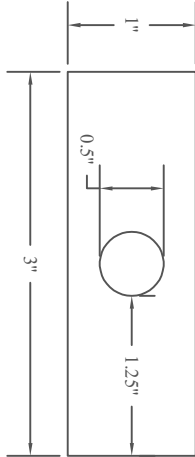
DIAGONAL LATERAL OUTER EDGES  
NODES 46, 47, 50, 53, 55, 56, 59

SIDE PANEL (X2)

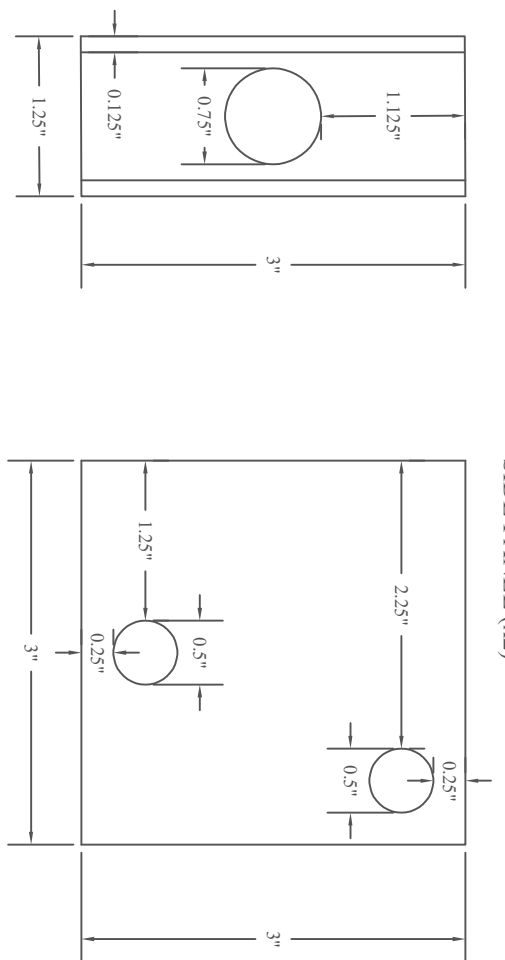
SIDE PANEL (x2)



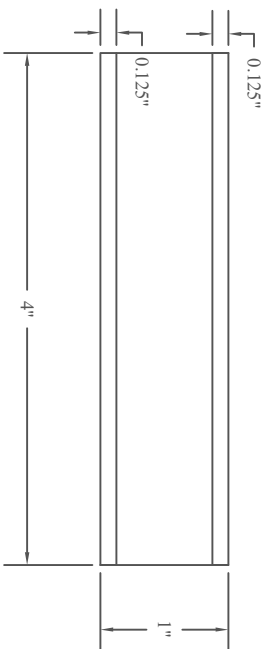
DIAGONAL LATERAL INNER EDGES  
 NODES 46, 47, 50, 53, 55, 56, 59



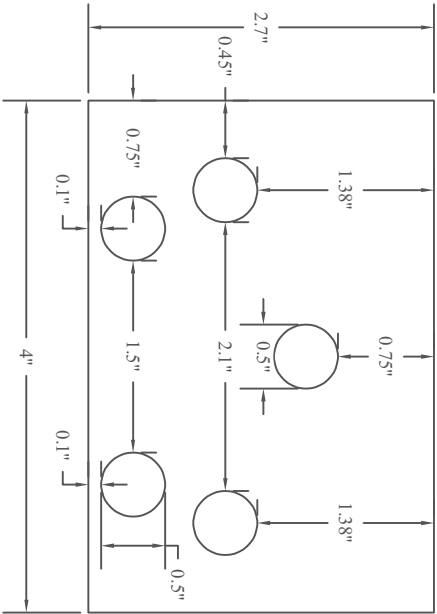
SIDE PANEL (x2)



BOTTOM CHORD CORNERS  
 NODES 20, 40, 41, 42



DIAGONAL LATERAL ENDS  
 NODES 45, 61



BOTTOM CHORD OUTER EDGES  
 NODES 10, 14, 16, 25, 30, 34