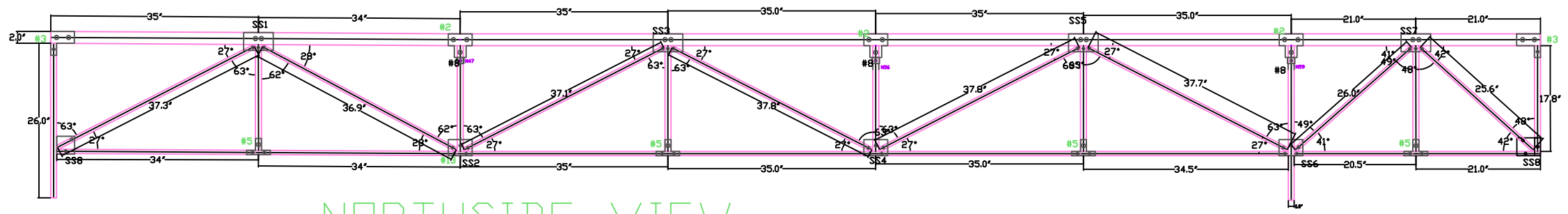


NORTHSIDE VIEW
(W/DIAGONALS)

NO.	DATE	COMMENTS
1	4/19/22	
2	4/20/22	
3	4/20/22	

DRAWN BY: CHRISTIAN GUNTERSON
CHECKED BY: NICOLENAHILDES
DATE: 4/20/2022
SCALE: 1/4"



NORTHSIDE VIEW
(W/DIAGONALS)

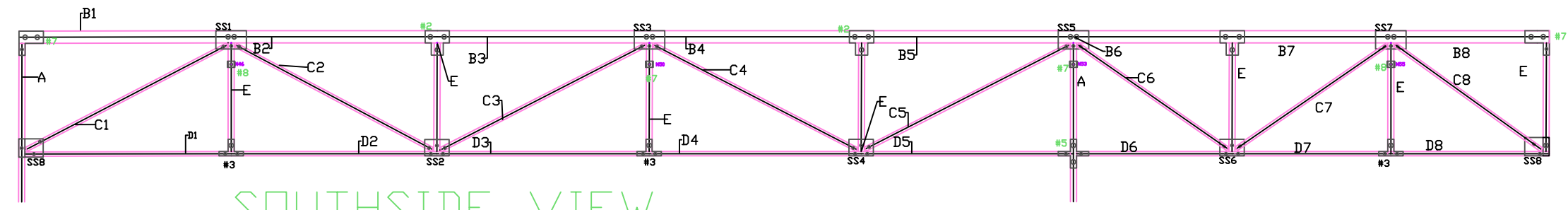
STEEL BRIDGE
NORTH MEMBER SCHEDULE



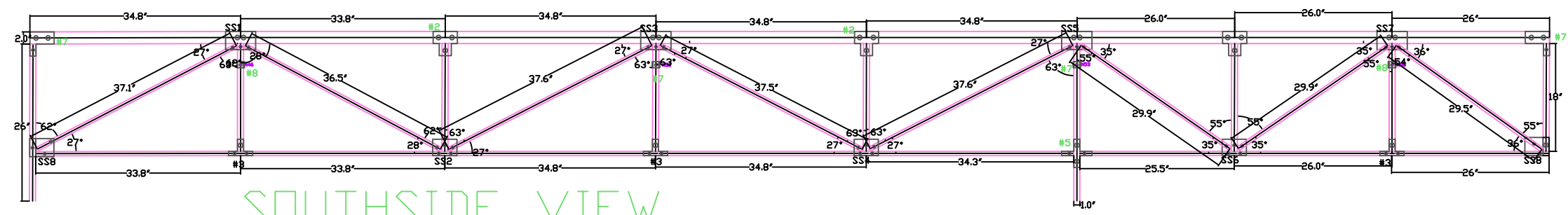
NO.	DATE	COMMENTS
1	4/19/22	
2	06/03	
3	07/06/22	

DRAWN BY: CRISTIAN GIANPERSON
CHECKED BY: NICOLENAHUGES
DATE: 4/19/2022
SCALE: 1/4"

STEEL BRIDGE
SOUTHSIDE-MEMBER-SCHEDULE



SOUTHSIDE VIEW
(W/DIAGONALS)



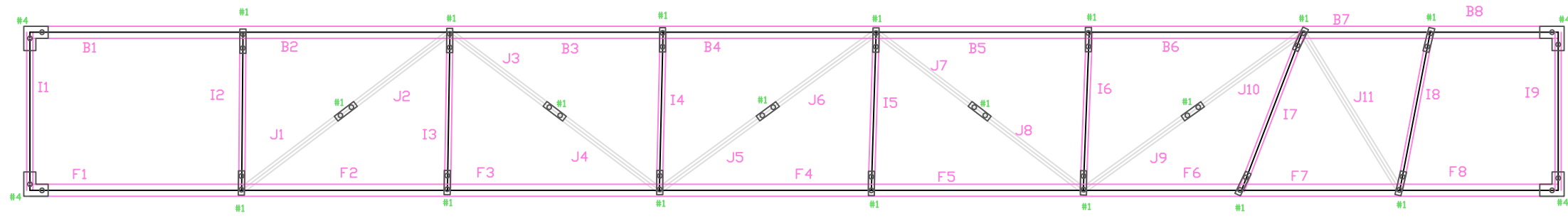
SOUTHSIDE VIEW
(W/DIAGONALS)



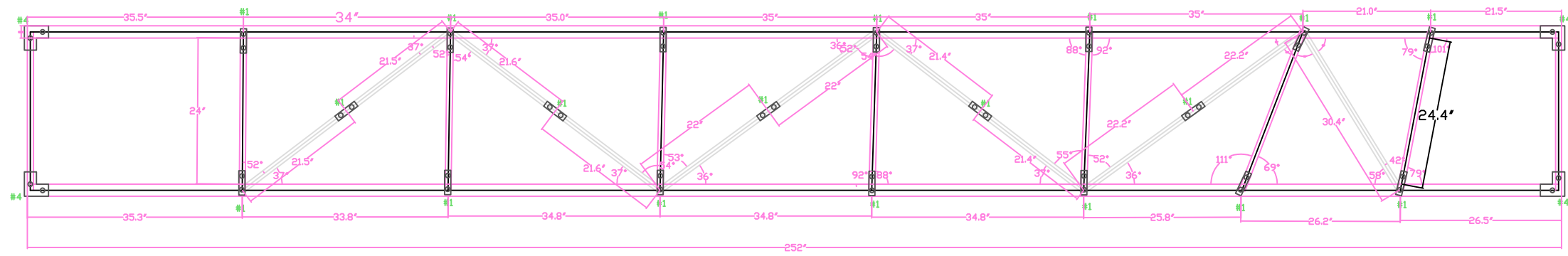
NO.	DATE	COMMENTS
1	4/19/22	
2	4/20/22	
3	4/20/22	

DRAWN BY:	CHRISTIAN GUANFESON
CHECKED BY:	NICOLENAHILDES
DATE:	4/19/2022
SCALE:	1/4"

STEEL BRIDGE
TOP-MEMBER SCHEDULE



TOP VIEW
(W/DIAGONALS)



TOP VIEW
(W/DIAGONALS)