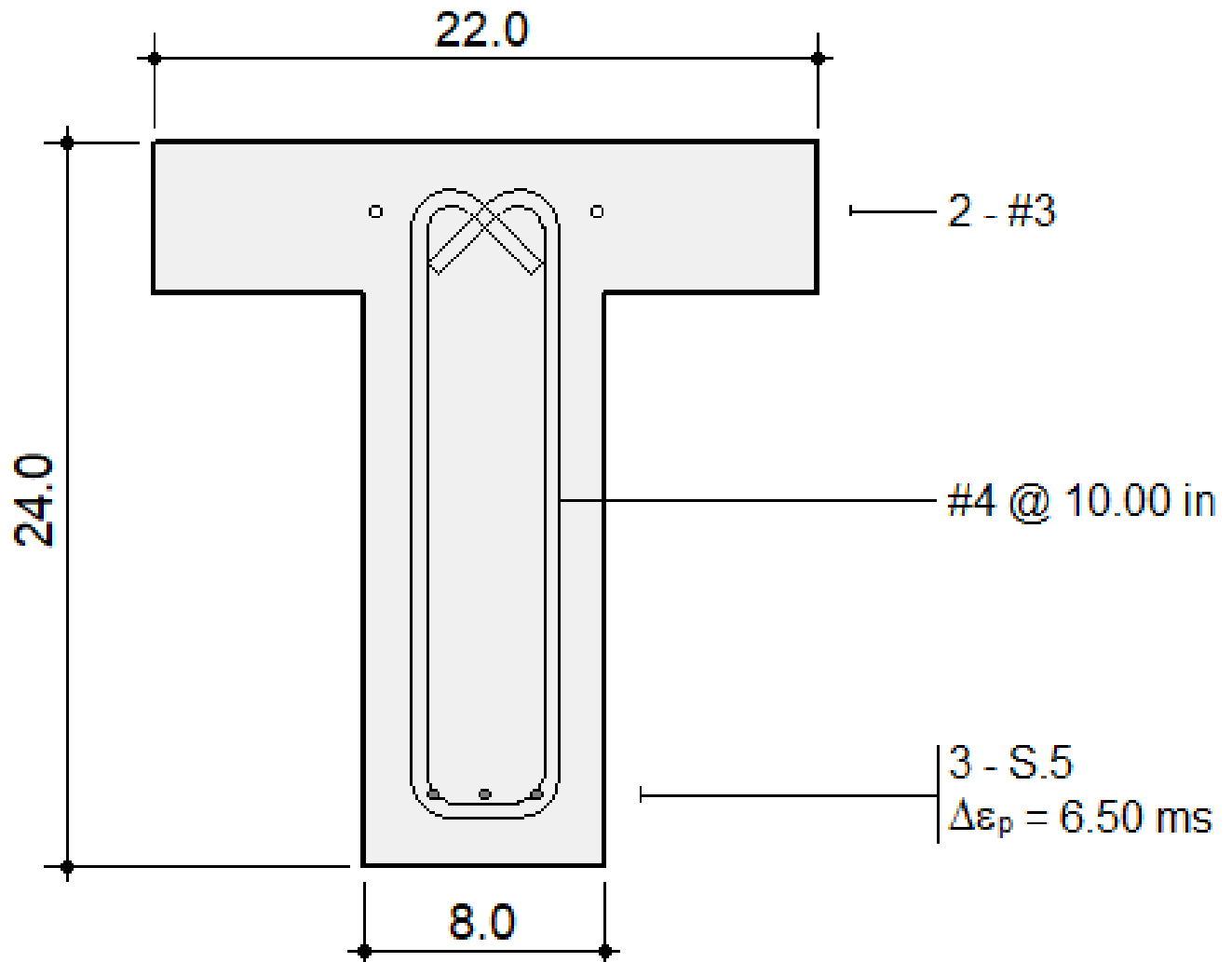


Design Alternative 1. Box Beam



Design Alternative 2. T-Beam