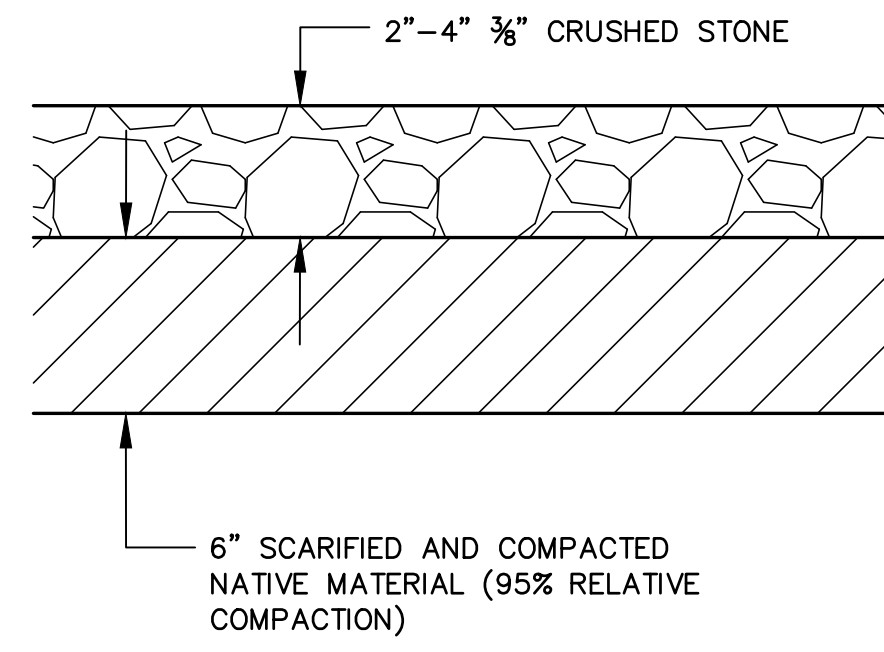
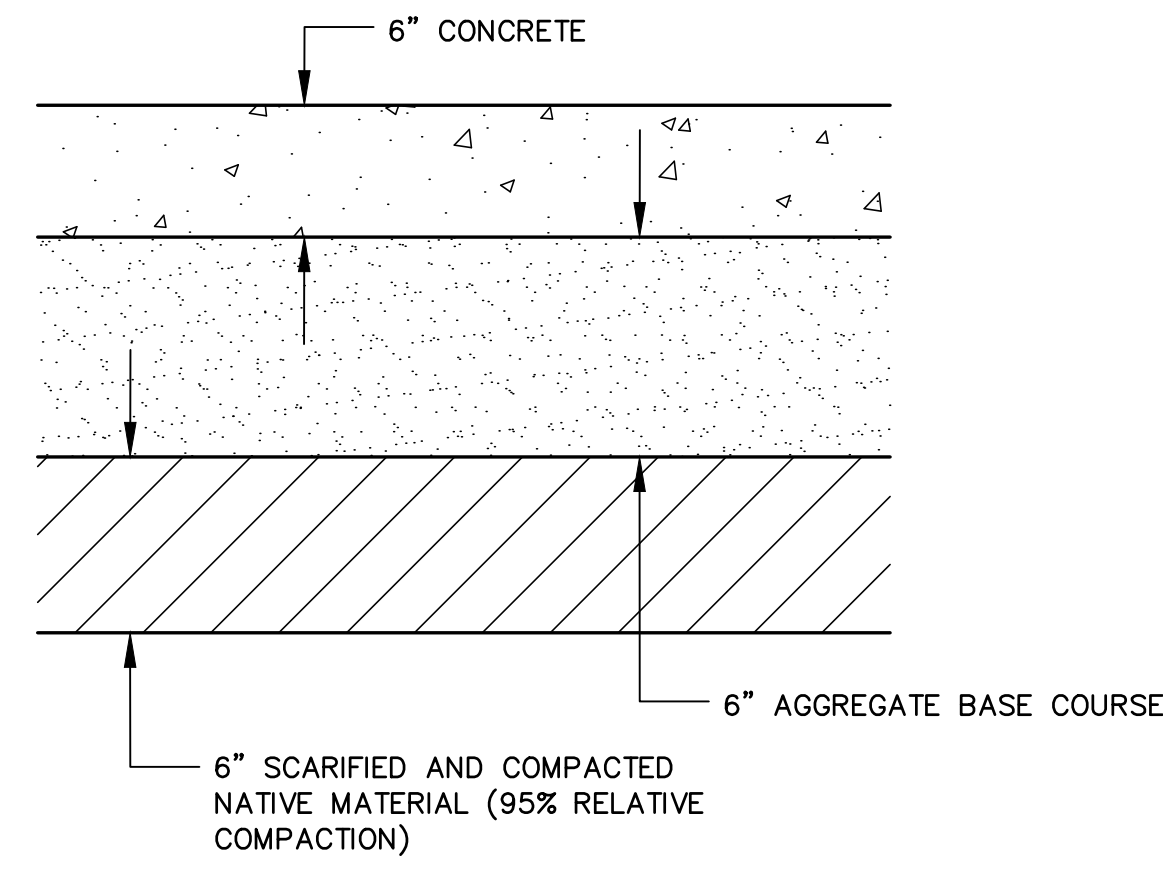


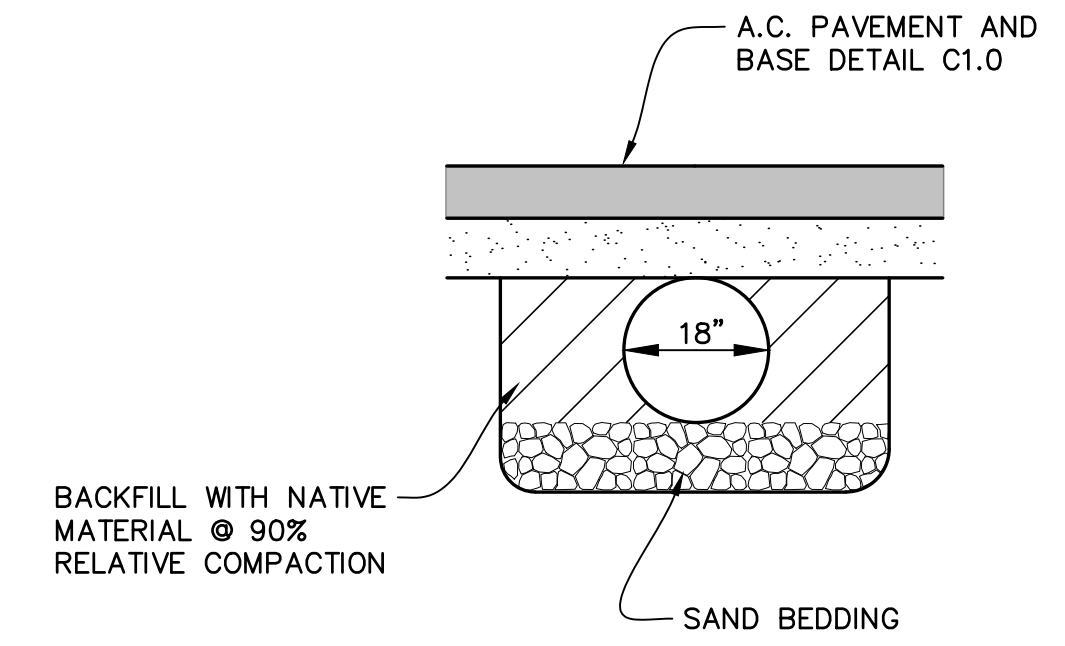
**C**  
**1** TYPICAL SECTION: A.C. AND BASE  
NO SCALE



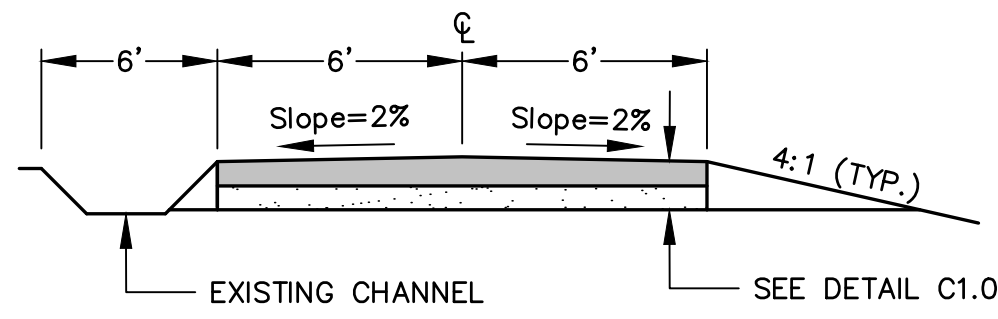
**C**  
**2** TYPICAL SECTION: 3/8" GRAVEL  
NO SCALE



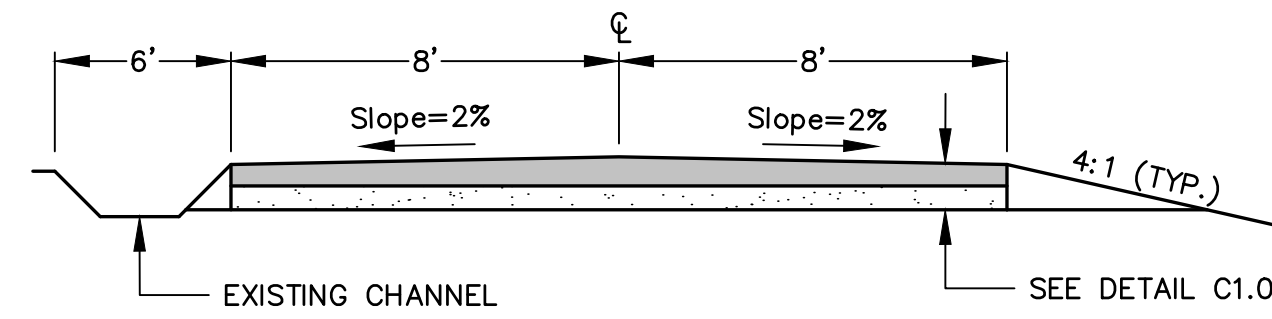
**C**  
**3** TYPICAL SECTION: CONCRETE  
NO SCALE



**C**  
**4** DETAIL - 18" CMP  
NO SCALE



**C**  
**5** TYPICAL ROAD SECTION: 12' WIDE  
NO SCALE



**C**  
**6** TYPICAL ROAD SECTION: 16' WIDE  
NO SCALE

SHEET TITLE		DESIGNER		DRAWN		CHECKED		DATE	
DETAIL SHEET		TPS		TPS		-		2/22/18	
RYAN'S TRAIL REDESIGN		TPS		TPS		-		2/22/18	
4425 N RYAN'S TRAIL, FLAGSTAFF, AZ 86001		TPS		TPS		-		2/22/18	
NORTHERN ARIZONA UNIVERSITY COLLEGE OF ENGINEERING		TPS		TPS		-		2/22/18	
2112 S HUFFER LANE, FLAGSTAFF, AZ 86011		TPS		TPS		-		2/22/18	

D:\CARPSTONE\DWG\24248\_Sheet1.dwg  
Plotter Monday, April 23, 2018 8:09am by Easde